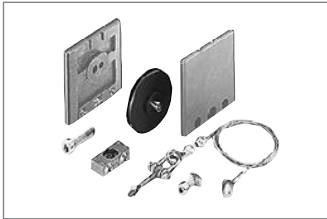
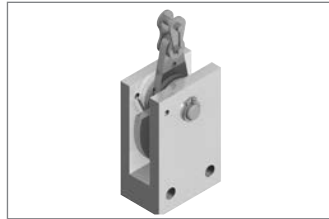


# Accessories for protective devices



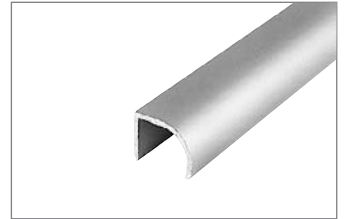
Counterbalance (p. 9-2)



Safety catch (p. 9-4)



Bumper (p. 9-5)



Handle bar (p. 9-5)



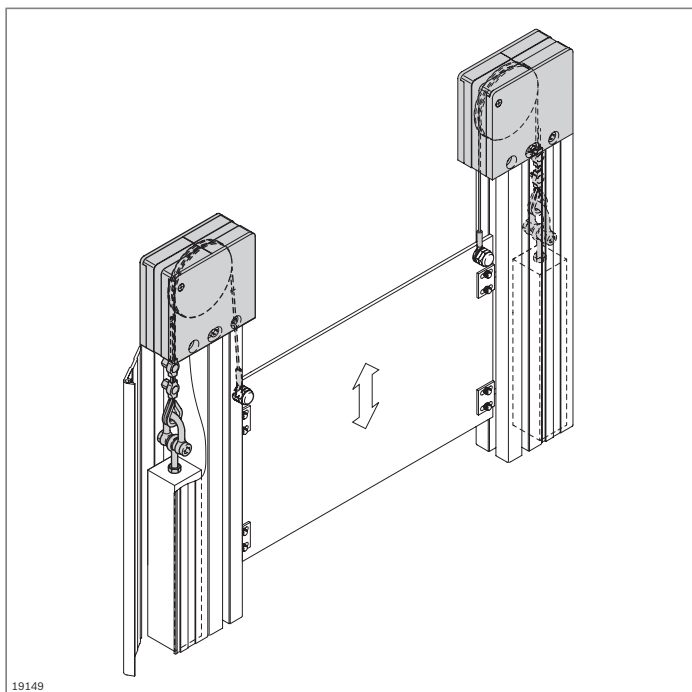
Magnet catch (p. 9-6)



Double ball stop latch  
(p. 9-7)



Ball catch (p. 9-8)



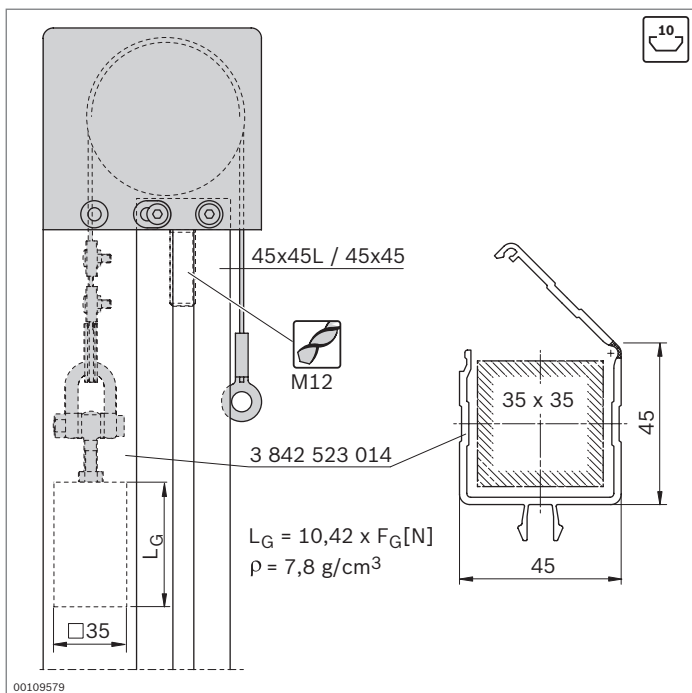
## Counterbalance



- ▶ For lifting doors comprising a deflection pulley and control cable
- ▶ Counterweight individually adjustable and preferably guided in a cable duct
- ▶ Length of cable can be adjusted
- ▶ Service life: 50000 actuations
- ▶ Profile finishing:
  - M12 for fastening the deflection pulley
- ▶ Fit lifting doors with a back-up fall arrestor in accordance with the Machinery Directive 2006/42/EC

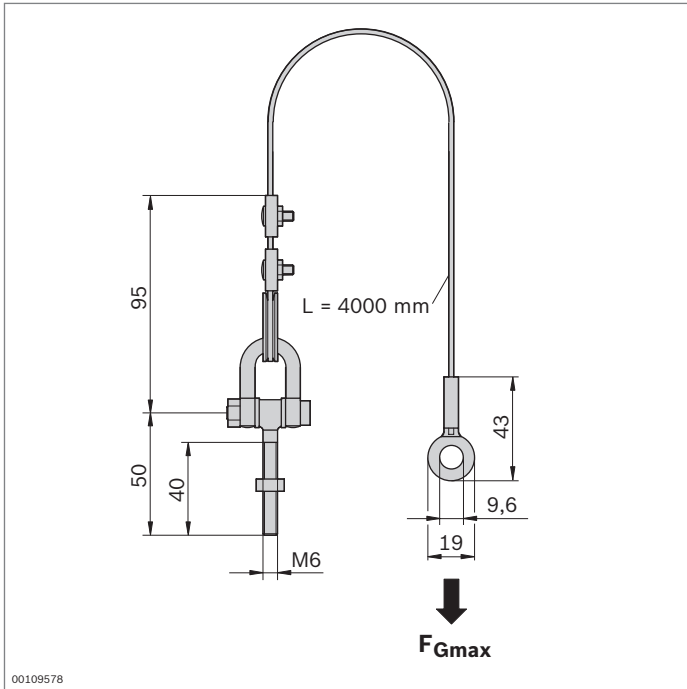
Required accessories:

Counterbalance weight (square profile 35x35 mm)



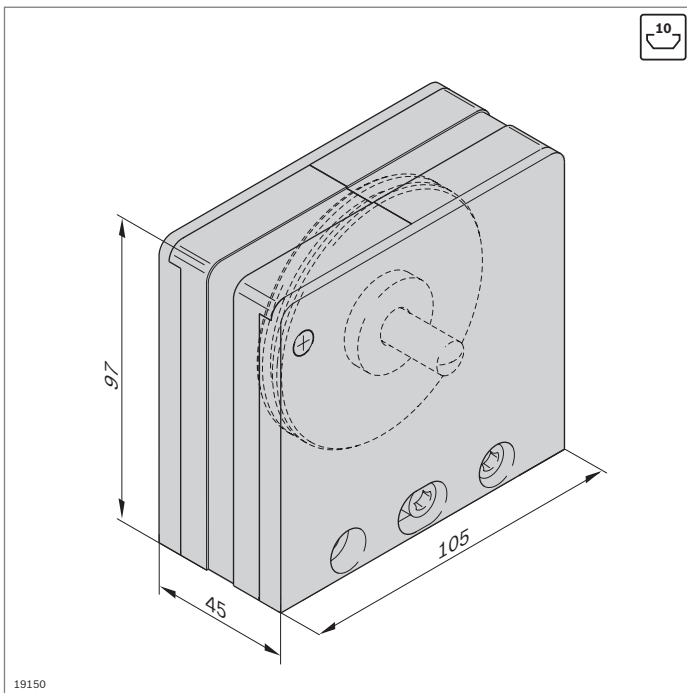
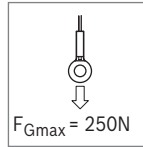
Optional accessories:

- ▶ Cable duct 45x45 (p. 11-2)
- ▶ Slider (p. 12-3/8-27)
- ▶ Safety catch (p. 9-4)



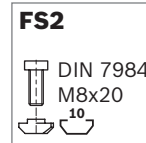
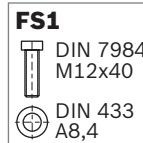
Counterbalance control cable	No.
	<b>3 842 518 798</b>

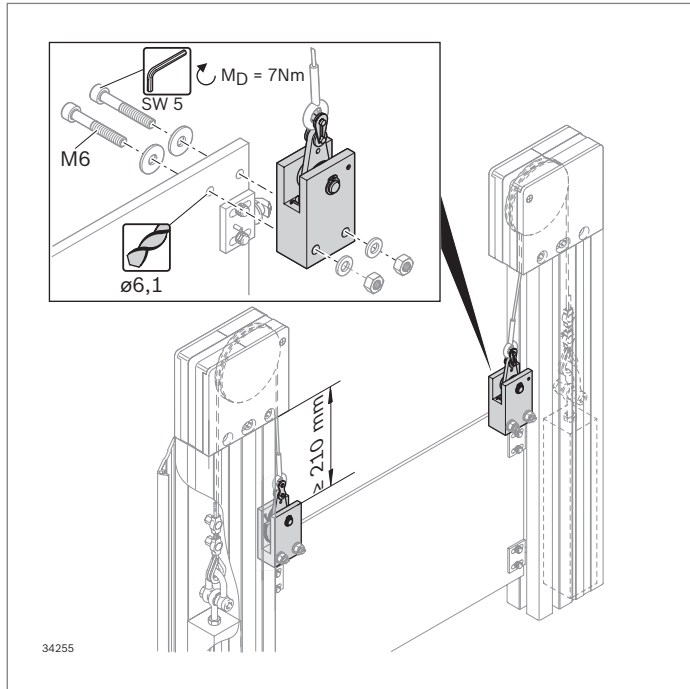
Material: Steel; stainless



Counterbalance deflection pulley	No.	FS
	<b>3 842 518 797</b>	FS1, FS2

Material: Housing: PA; black  
Fastening material: Steel; galvanized  
Scope of delivery: Incl. fastening material (FS)





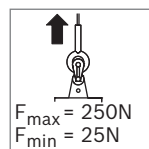
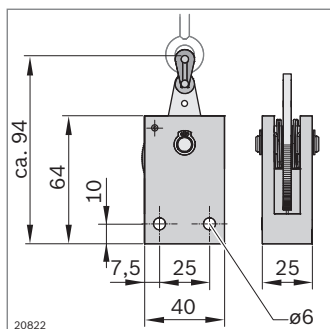
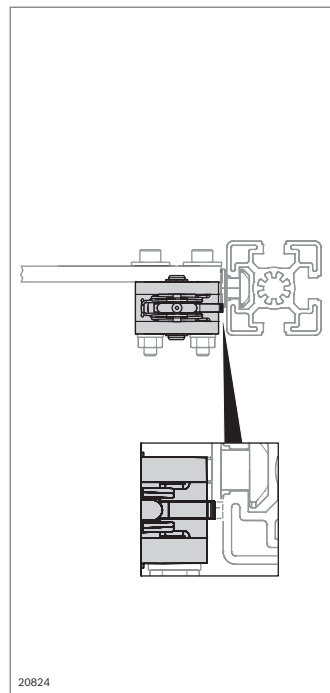
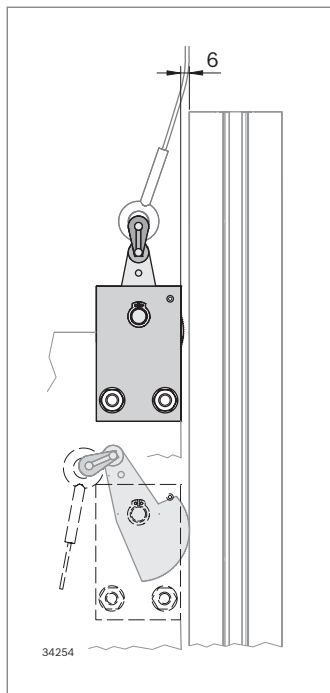
## Safety catch



- ▶ The safety catch in conjunction with the other components prevents a lifting door from falling if a cable breaks
- ▶ If a cable breaks, the revolving part of the safety catch jams against a counterbearing and is wedged in position in the guide profile
- ▶ Gap dimension between safety catch body and lateral guide profile: 6 mm
- ▶ One safety catch is required for each cable.
- ▶ Max. load per safety catch: 250 N
- ▶ Min. load per safety catch: 25 N
- ▶ The counterbearing (e.g. slider **3 842 555 226**) should be mounted under the safety catch and as close as possible to it
- ▶ It can also be mounted without a frame on panel elements which have adequate transverse rigidity
- ▶ Before installation and use please read the data sheet containing notes on use which is enclosed with the product

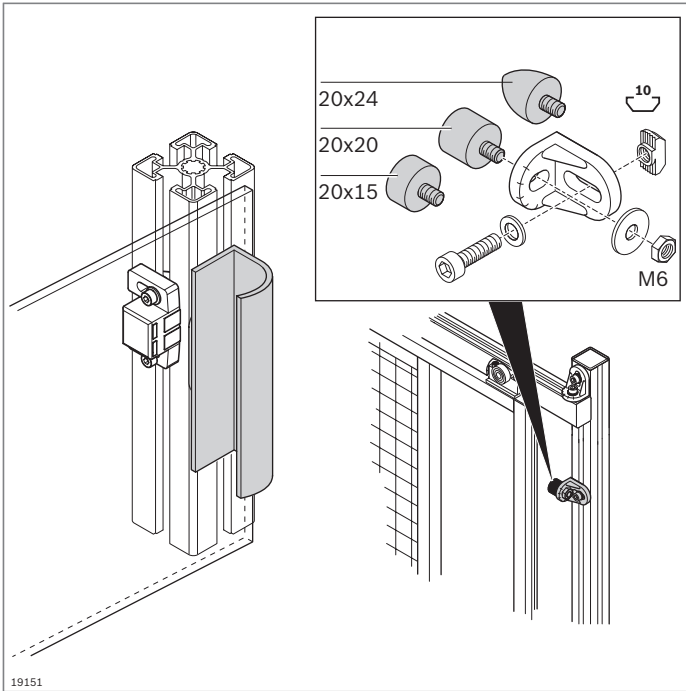
### Optional accessories:

- ▶ Slider (p. 12-3)
- ▶ Fastening material for attaching the safety catch to the lifting door
- ▶ Counterbalance (p. 9-2)
- ▶ Strut profiles (from p. 2-1)



Safety catch	No.
	<b>3 842 546 519</b>

Material:	Housing: Aluminum Turntable: Steel; stainless Bolt: Steel, hardened Chain lock: Nickel-plated steel Spacer disk: POM
Scope of delivery:	Incl. chain lock for securing the cable
Condition on delivery:	Assembled



## Bumper Handle bar

### Bumper

- For damping impact and noise on doors, flaps, and covers

Accessories:

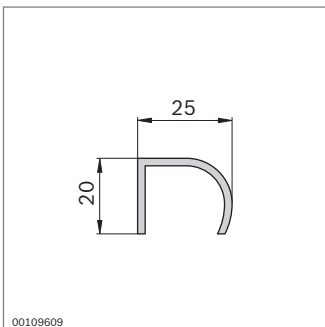
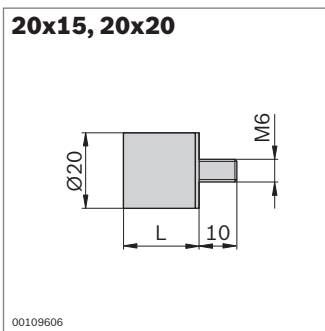
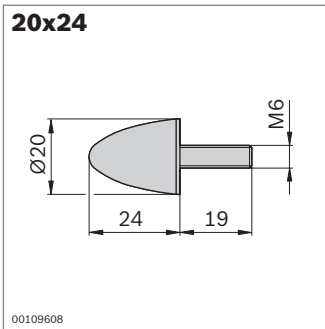
Nut, T-nut M6 (p. 3-4)

### Handle bar

- Can be used, for example, on covers, drawers, or doors
- Machining: Drill holes for fixing

Required accessories:

Fastening material



Bumper		No.
20x24	10	3 842 510 165

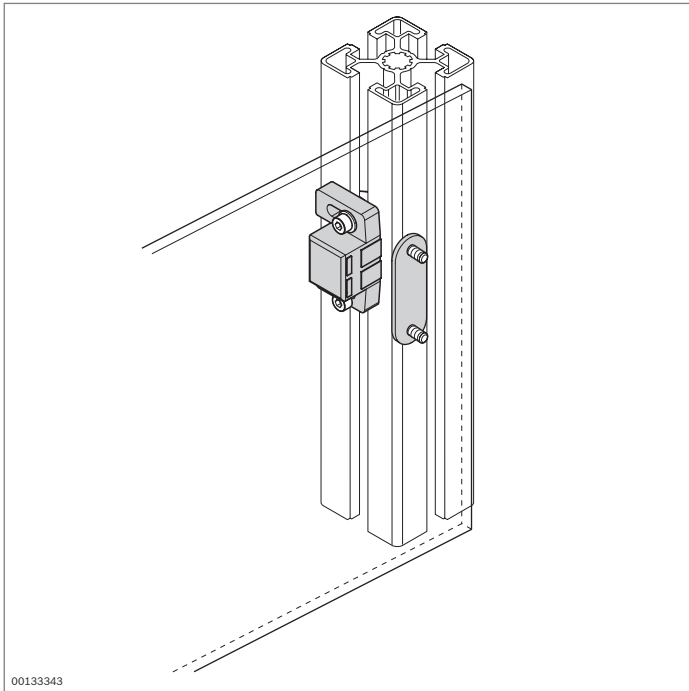
Material: Rubber; hardness 55° shore A

Bumper	L (mm)		No.
20x15	15	10	3 842 510 464
20x20	20	10	3 842 510 462

Material: Rubber; hardness 55° shore A

Handle bar	L (mm)		No.
	50...3000	1	3 842 990 111 / L
	3000	10	3 842 500 287

Material: Aluminum; anodized



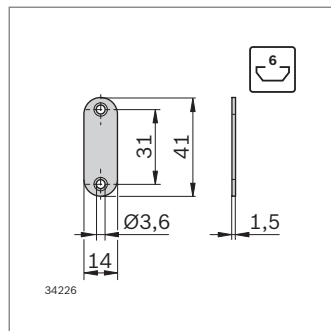
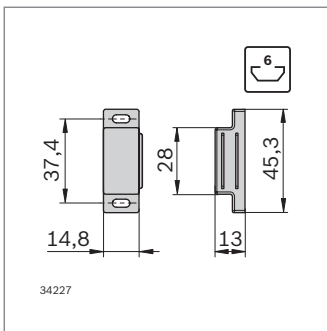
### Magnet catch



- ▶ The magnet catch prevents doors and flaps from banging or being unintentionally opened
- ▶ Elongated holes to compensate for different panel element thicknesses

Accessories:

Cylinder bolt ISO 4762, washer, T-nut (p. 3-4)



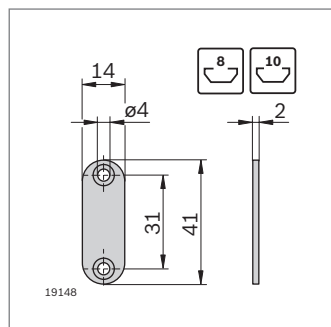
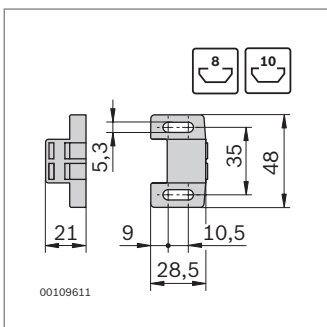
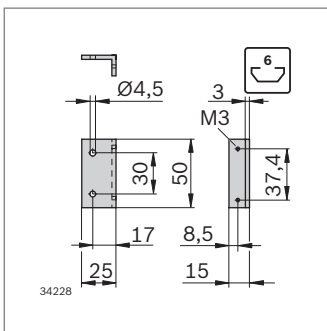
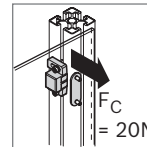
Magnet catch	Slot	No.	FS
	6	3 842 558 323	2xFS1

Material: PP; white / steel; galvanized

Scope of delivery: Incl. counterpiece, bracket, fastening material (FS)

#### FS1

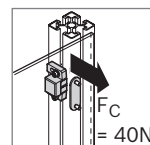
- ISO 4762  
M3x8
- DIN  
ISO 7089-3

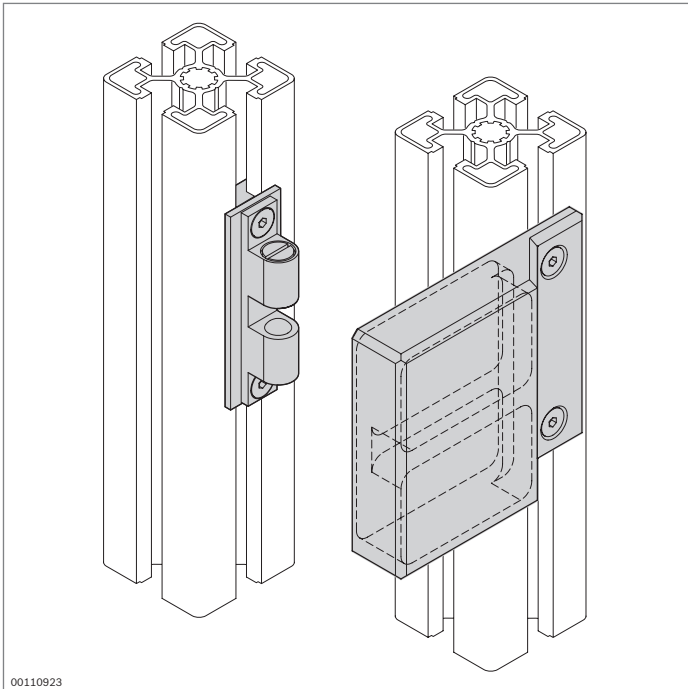


Magnet catch	Slot	No.
	8, 10	3 842 555 568

Material: PA; signal gray RAL 7004  
Steel; galvanized

Scope of delivery: Incl. counterpiece



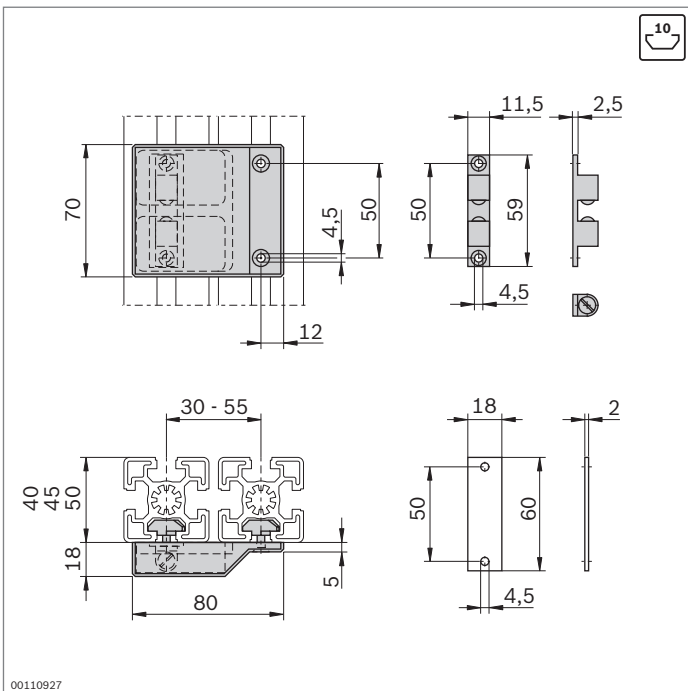


00110923

## Double ball stop latch



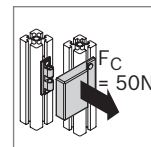
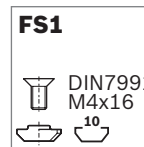
- ▶ For arresting doors made of profile frames and for bridging door gaps
- ▶ Suitable for profiles with modular dimensions 40 mm, 45 mm, and 50 mm
- ▶ Locking also possible with varying profile spacing

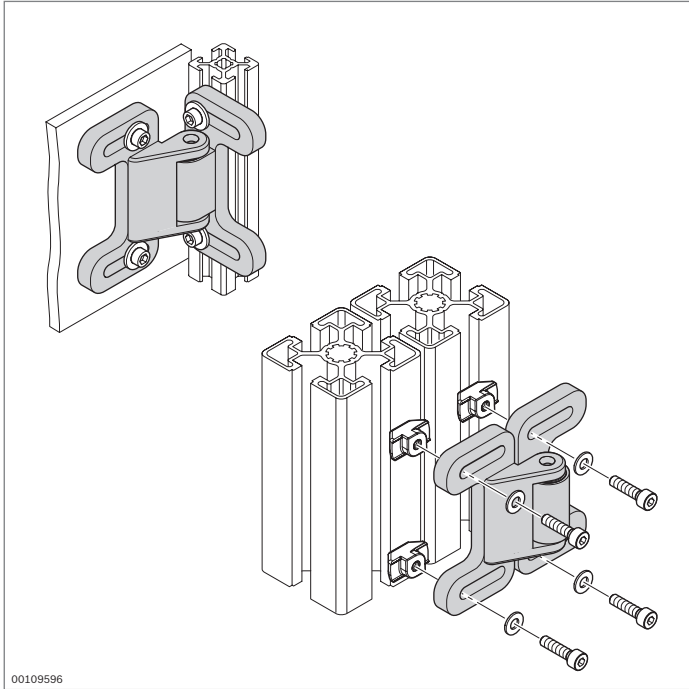


00110927

Double ball stop latch	Slot No.	FS
	10	3 842 530 241 4xFS1

Material: Aluminum, black anodized  
 Scope of delivery: Incl. fastening material (FS)



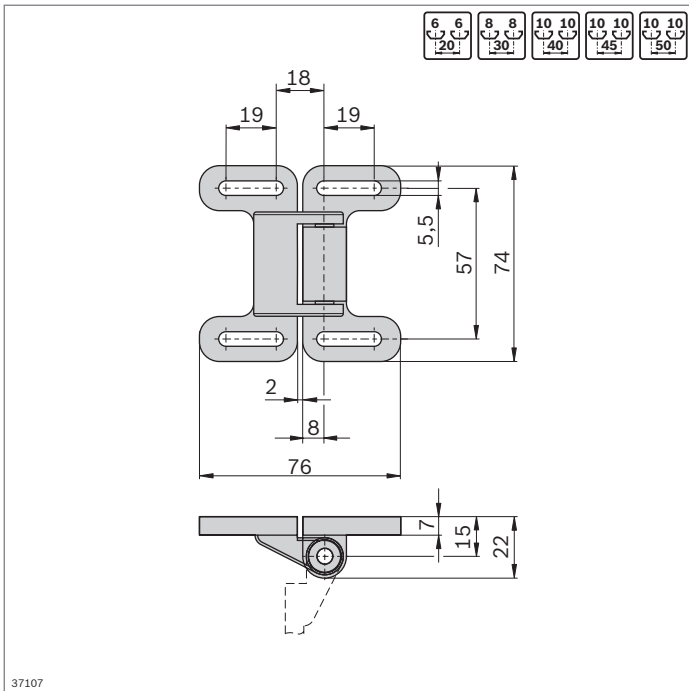


### Ball catch

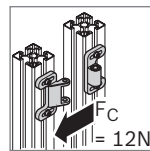


- ▶ Ball catch for doors and flaps
- ▶ For sliding and swing doors
- ▶ For doors with or without frames
- ▶ Elongated hole to adjust for differing spacing
- ▶ Can be used under cleanroom conditions

Accessories:  
 Cap screw ISO 4762, washer,  
 T-nut (p. 3-4)



Ball catch	Color	ESD	No.
	Black		10 <b>3 842 524 986</b>
Material:	PA		

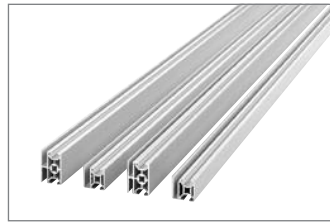




# Protective devices and EcoSafe partition walls



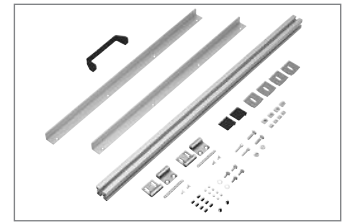
EcoSafe protective frame  
(p. 10-6)



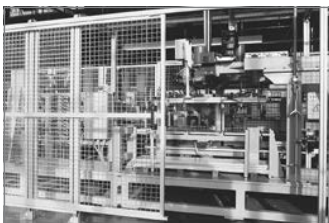
Protective grille profile  
(p. 10-8)



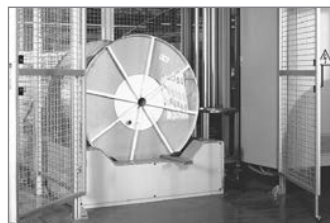
Suspension bracket,  
attachment kit (p. 10-10)  
Tilt lever (p. 10-11)



EcoSafe system door kit  
(p. 10-12)



EcoSafe sliding door kit  
with/without superstructure  
(p. 10-14)



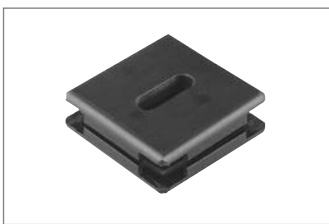
EcoSafe double door kit  
(p. 10-16)



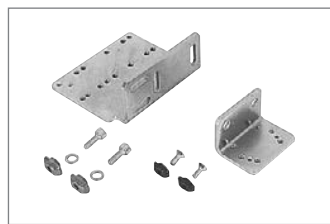
Lock mechanism for double  
door (p. 10-17)



Ground terminal (p. 10-18)



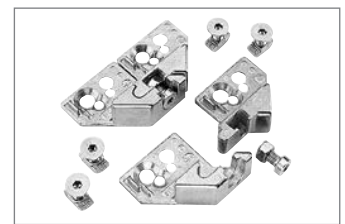
Clamping element (p. 10-19)



Attachment kit for safety  
switch (p. 10-20)



Spring clamping element  
(p. 10-21)



Suspension piece for frame  
(p. 10-22)

Eliminate safety risks in manufacturing and production by using the components for Rexroth protective devices. EcoSafe protective fence components are flexible to use and help comply with current standards and guidelines. Pre-assembled protective frames, door kits, and a well thought-out overall product range ensure fast planning as well as economical and practical implementation.

Individual protective devices such as enclosures and additional attachments can be created using the tried and tested basic mechanic elements. These two systems are mutually compatible. Rexroth therefore offers a comprehensive, overall solution for all requirements.

# Compliance with standards

## **DIN EN ISO 12100 – Safety of machinery**

- The protective fence must be designed so that it can only be opened with the aid of,, or by destroying, the fastenings.
- The actual design requires a risk assessment to be carried out according to DIN EN ISO 12100-1 in every case

## **DIN EN 953 – General design and construction requirements**

- Rigidity, impact resistance, strength & durability of connection points, etc.

## **DIN EN ISO 13857**

- Safety distances to prevent hazard zones being reached by upper and lower limbs

## **DIN EN ISO 14120**

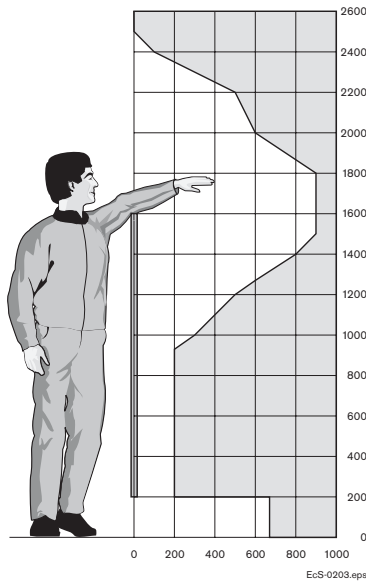
- Safety of machinery – Guards – General requirements for the design and construction of fixed and movable guards
- Rexroth protective frame tested according to pendulum test Appendix C and passed

## **Machinery Directive 2006/42/EC**

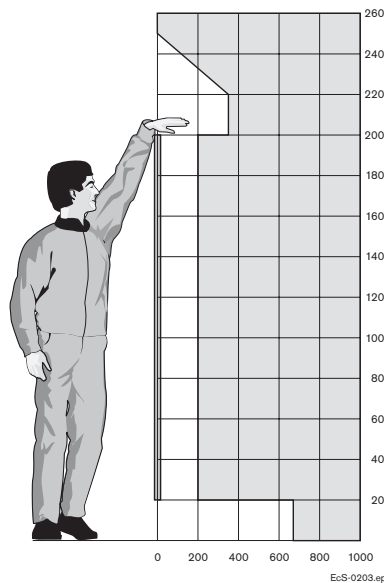
Excerpt from the requirements that apply to protective devices:

- must be solidly built
- must be securely held in position
- must not cause any additional hazards
- must not be able to be easily circumvented or rendered ineffective
- fastenings must only be able to be undone or removed with the aid of tools
- Once the protective devices have been removed, fastenings must remain attached or fastened to the protective devices or the machine

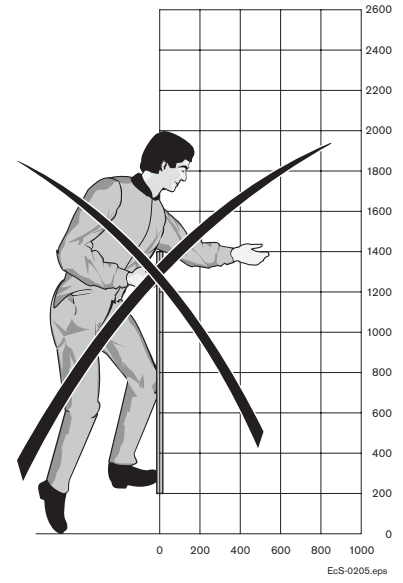
### Safety distances



H = 1600 mm



H = 2000 mm

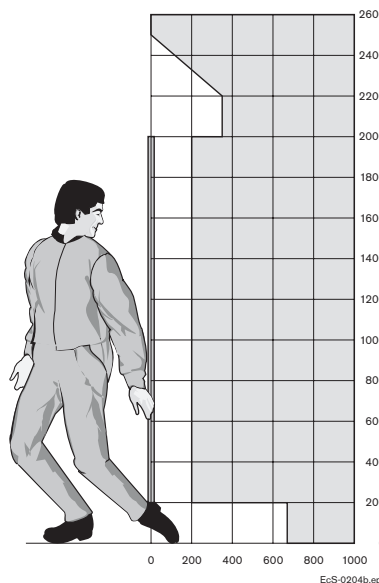
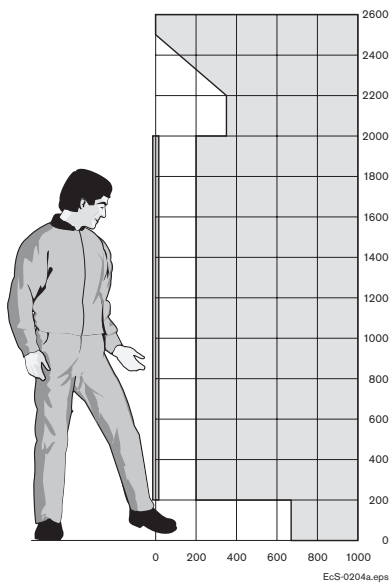


H = 1400 mm

The safety distances depend on the height of the protective device and the openings in the protective grille. If woven wire grilles with a mesh width of 40x40 are used, only a safety distance of 200 mm from the hazard area is required. The standard fence height of 2000 mm provides

adequate protection in conjunction with a relatively small safety distance. The graphics show a profile with the safety distances for 2 different system heights (DIN EN 13857). Protective fences of under 1400 mm in height do not provide adequate protection for personnel.

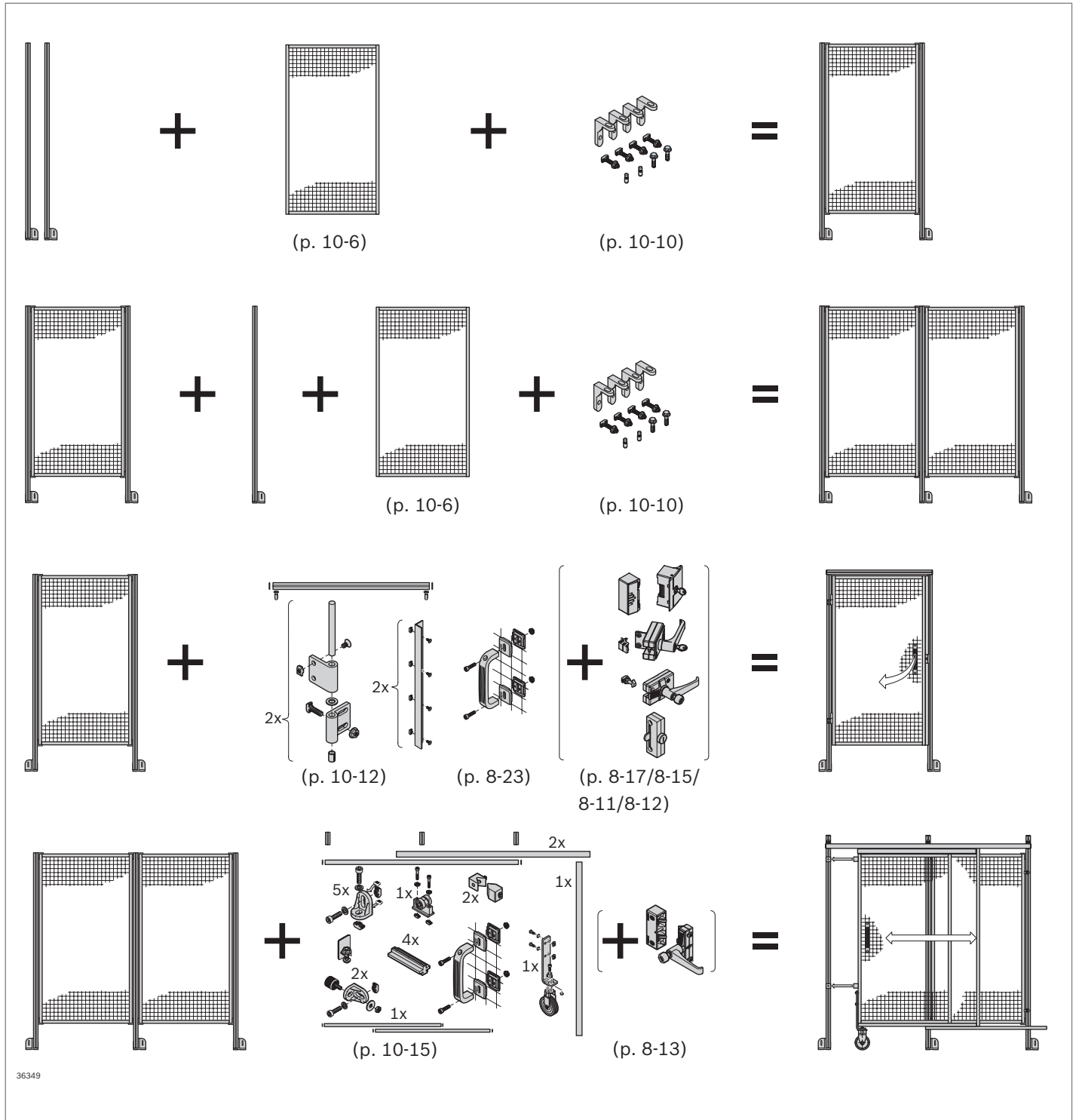
### Safety distances where there is 200 mm ground clearance



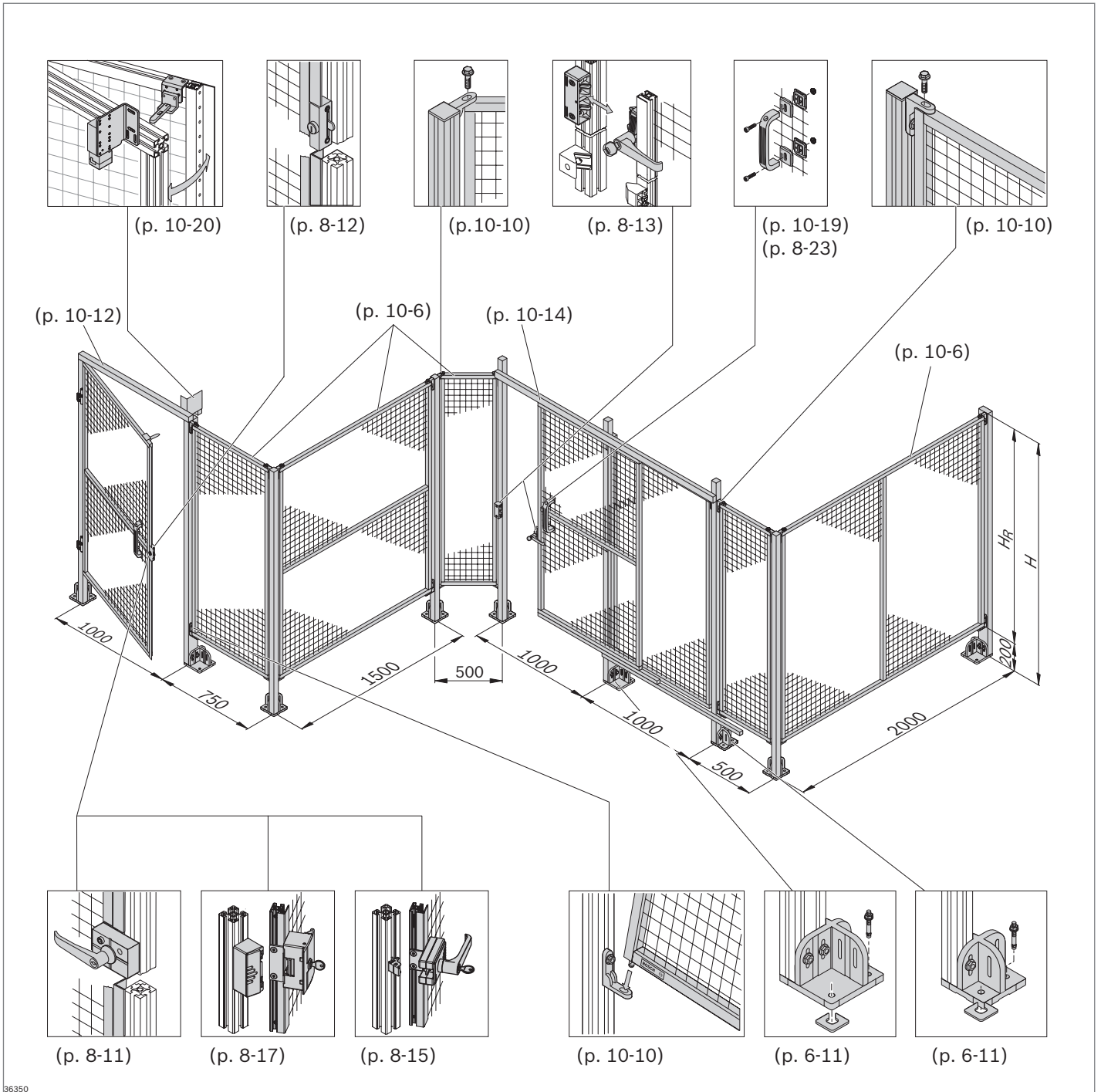
The standard distance between the protective frame and the ground is 200 mm. This gives a distance from the hazard area of 665 mm. According to the standard, openings that are

larger than 180 mm allow the whole body to fit through. Depending on the customer's requirements, the distance from the ground may have to be reduced to <180 mm.

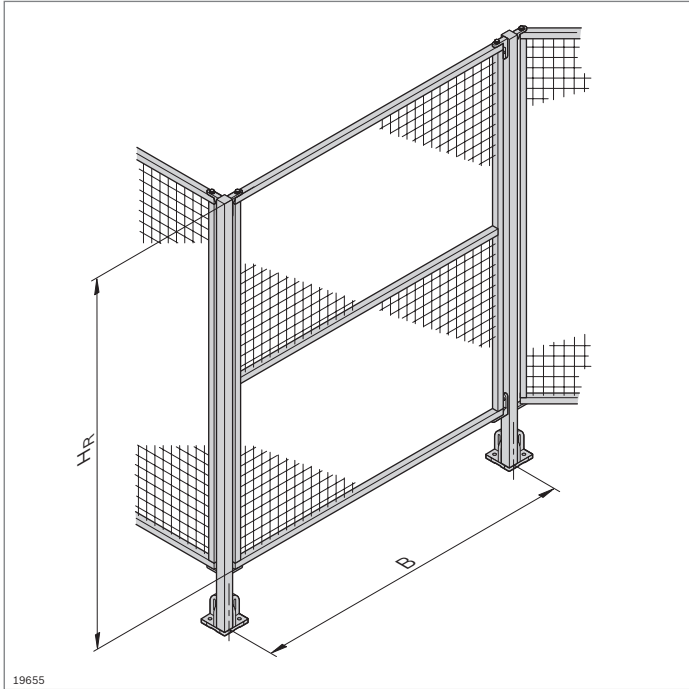
**EcoSafe components for building protective fences**



### EcoSafe components for building protective fences



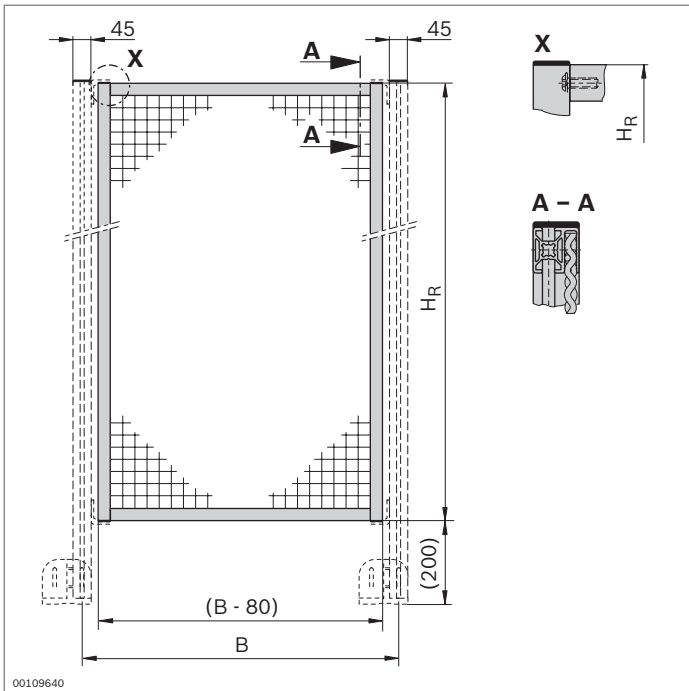
36350



### EcoSafe protective frame

- ▶ Protective frame made of protective grille profile 30x30 WG40 (p. 10-7) with woven wire grille 40x40x4
- ▶ Suitable kits enable the construction of doors (system doors, sliding doors, double doors)
- ▶ Fully assembled on delivery
- ▶ Simple mounting on the supports using the suspension brackets. Single fitter is sufficient
- ▶ Standard widths or customized dimensions
- ▶ Horizontally or vertically divided protective frames provide additional stability for large surfaces
- ▶ Color-coated woven wire grilles improve visual contrast in the protected area and facilitate recognition of access routes and emergency exit routes
- ▶ Modular dimension "B" relates to 45x45 supports

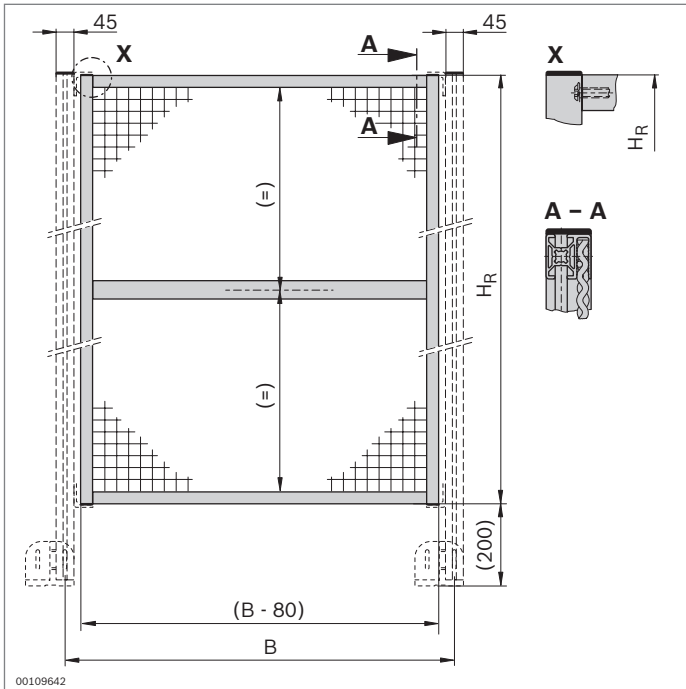
Technical data (p. 18-21)



Protective frame	H <sub>R</sub> (mm)	B (mm)	No.
	1800	500	<b>3 842 554 282</b>
		750	<b>3 842 554 283</b>
		1000	<b>3 842 554 284</b>
		1500	<b>3 842 554 285</b>
	250...2300	250...1500	<b>3 842 994 742 / H<sub>R</sub>, B, FA</b>

Material: Frame: Aluminum; anodized  
Woven wire grille: Steel; hot-galvanized

Color of woven wire grille:  
FA = 0: hot-galvanized  
FA = 1: black; RAL 9005 (e.g. for fence)  
FA = 2: yellow; RAL 1023 (e.g. for doors)

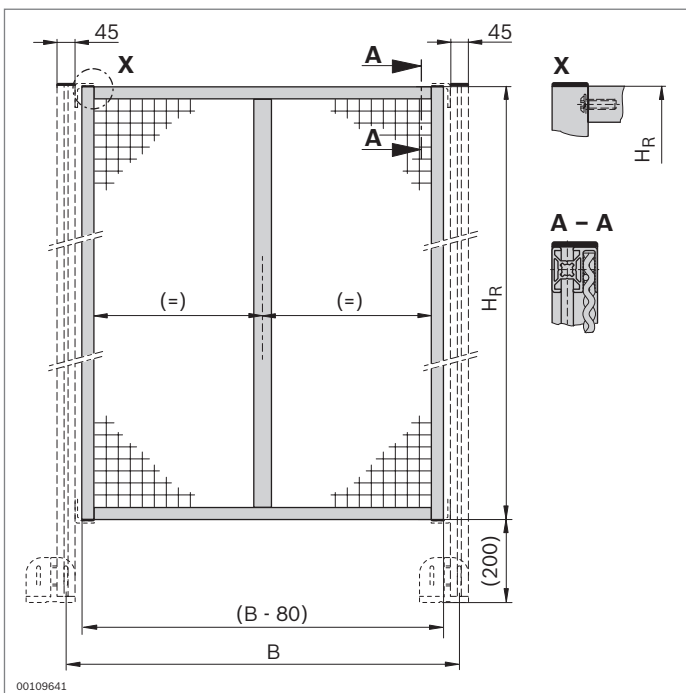


**Protective frame, horizontal sections**

$H_R$ (mm)	B (mm)	No.
1800	1000	<b>3 842 554 281</b>
500...2300	250...2500	<b>3 842 994 745 / <math>H_R</math>, B, FA</b>

Material: Frame: Aluminum; anodized  
Woven wire grille: Steel; hot-galvanized

Color of woven wire grille:  
FA = 0: hot-galvanized  
FA = 1: black; RAL 9005 (e.g. for fence)  
FA = 2: yellow; RAL 1023 (e.g. for doors)

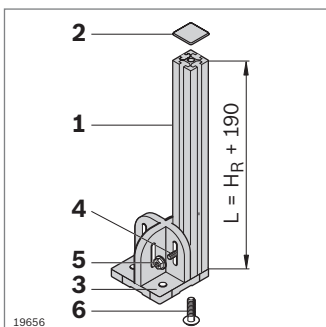


**Protective frame, vertical sections**

$H_R$ (mm)	B (mm)	No.
1800	2000	<b>3 842 554 280</b>
250...2300	500...3000	<b>3 842 994 744 / <math>H_R</math>, B, FA</b>

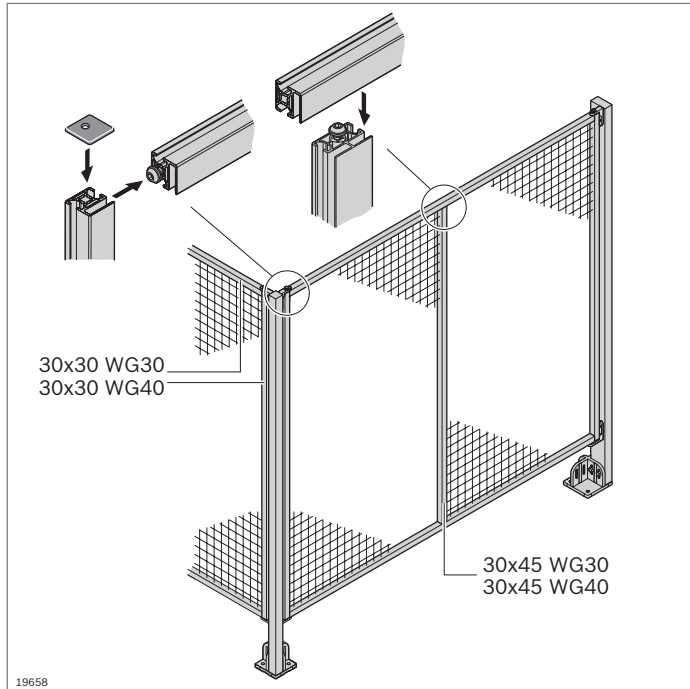
Material: Frame: Aluminum; anodized  
Woven wire grille: Steel; hot-galvanized

Color of woven wire grille:  
FA = 0: hot-galvanized  
FA = 1: black; RAL 9005 (e.g. for fence)  
FA = 2: yellow; RAL 1023 (e.g. for doors)



**Individually construct the supports using MGE components**

Component	No.	Pcs	Page
<b>1</b> Profile 45x45L	<b>3 842 992 425 / L</b>	1	2-35
<b>2</b> Cover cap	<b>3 842 548 753</b>	1	2-35
<b>3</b> Base plate 120x120	<b>3 842 527 553</b>	1	6-11
<b>4</b> T-bolt M8x30	<b>3 842 528 721</b>	2	3-6
<b>5</b> Flange nut M8	<b>3 842 345 081</b>	2	3-6
<b>6</b> Central bolt S12x30-T50	<b>3 842 530 236</b>	1	3-41



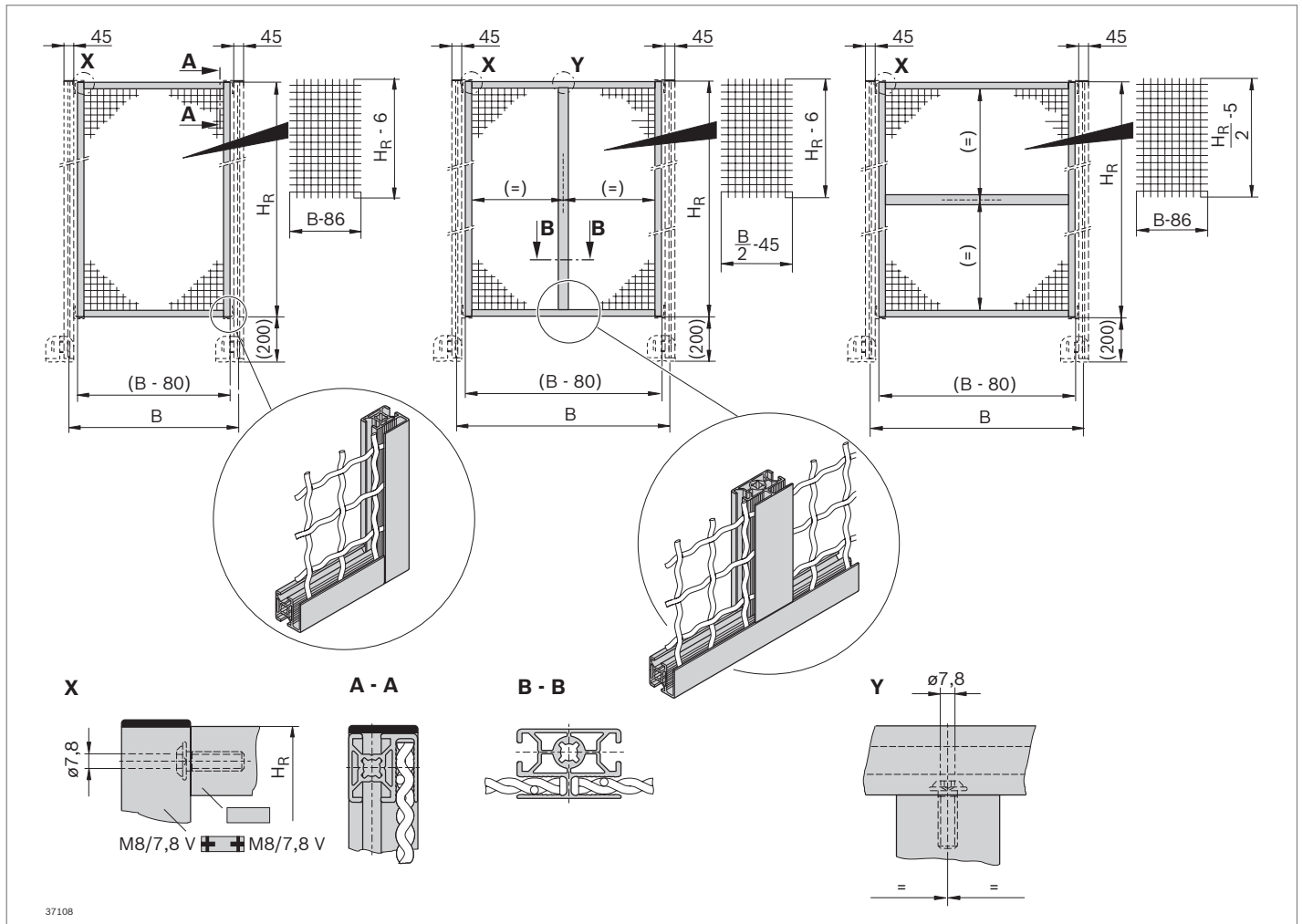
### Protective grille profiles



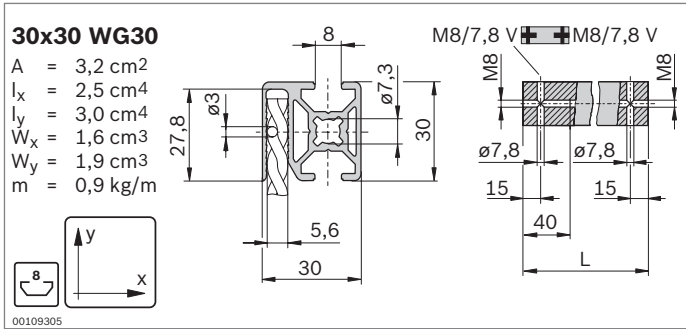
- ▶ For the low-cost construction of protective devices with woven wire grilles WG30 and WG40
- ▶ Fastening of woven wire grilles: Directly in the special profile slot
- ▶ Fastening of panel elements: In the special profile slot using spring clamping elements (accessories)
- ▶ The profiles are connected using a central bolt (profile finishing required)
- ▶ Modular dimension "B" relates to 45x45 supports

#### Required accessories:

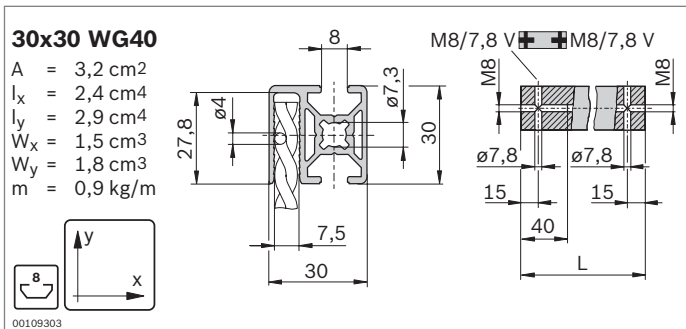
- ▶ Central bolt (p. 3-41)
- ▶ Woven wire grille (p. 10-6)
- ▶ Spring clamping elements (p. 10-21)



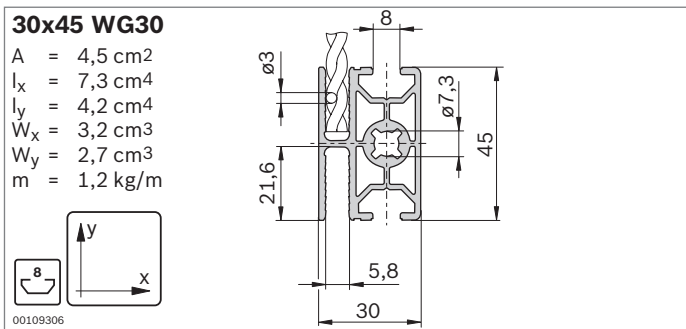




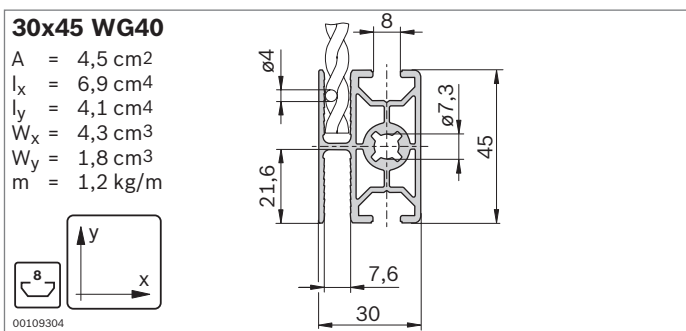
Protective grille profile		L (mm)	No.
<b>30x30 WG30</b>			
1 pc		100 ... 6070	<b>3 842 992 970 / L</b>
1 pc	M8/7,8V	100 ... 6000	<b>3 842 992 977 / L</b>
	20 pcs	6070	<b>3 842 557 227</b>
Material: Aluminum; anodized			



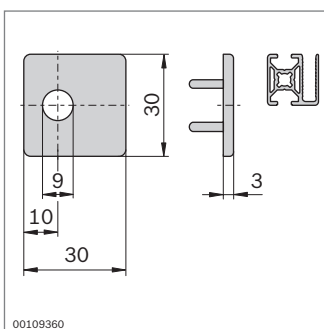
Protective grille profile		L (mm)	No.
<b>30x30 WG40</b>			
1 pc		100 ... 6070	<b>3 842 992 972 / L</b>
1 pc	M8/7,8V	100 ... 6000	<b>3 842 992 978 / L</b>
	20 pcs	6070	<b>3 842 557 229</b>
Material: Aluminum; anodized			



Protective grille profile		L (mm)	No.
<b>30x45 WG30</b>			
1 pc		100 ... 6070	<b>3 842 992 971 / L</b>
	20 pcs	6070	<b>3 842 557 228</b>
Material: Aluminum; anodized			



Protective grille profile		L (mm)	No.
<b>30x45 WG40</b>			
1 pc		100 ... 6070	<b>3 842 992 973 / L</b>
	20 pcs	6070	<b>3 842 557 240</b>
Material: Aluminum; anodized			



► Cover cap for a more attractive appearance and to prevent injuries

Cover cap	Color		No.
<b>30x30</b>	Black	100	<b>3 842 522 345</b>
Material: PA; black			



## Suspension bracket Safety strip safety kit

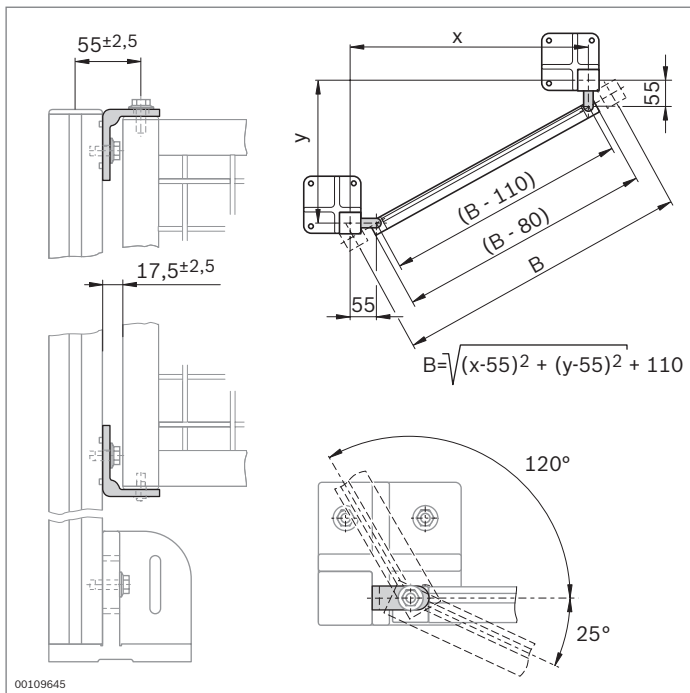


### Suspension bracket

- ▶ For mounting the EcoSafe protective frame on the support at various angles
- ▶ Suspension bracket with centering lugs as anti-torsion element

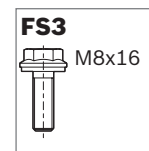
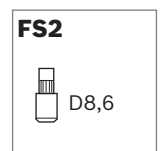
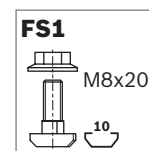
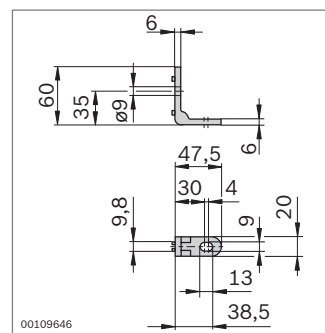
### Safety strip safety kit

- ▶ Safe and inexpensive
- ▶ Easy assembly; can be retrofitted
- ▶ Patented
- ▶ Meets the requirements of Machinery Directive 2006/42/EC Screw remains connected to the suspension bracket after loosening



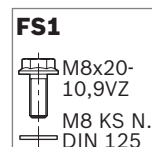
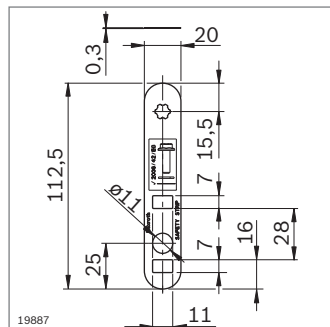
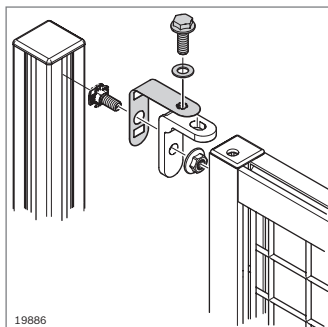
Suspension bracket	No.	FS
<b>Set</b>	<b>3 842 522 481</b>	4x FS1, 2x FS2, 2x FS3

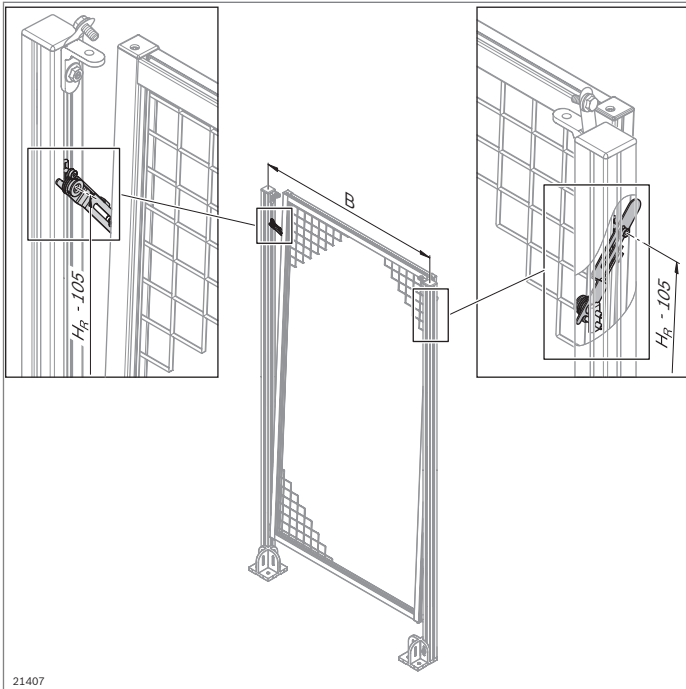
Material: Diecast zinc  
Fastening material: Steel; galvanized  
Scope of delivery: In a set with four brackets, incl. fastening material (FS)



Safety strip safety kit	No.	FS
	10	<b>3 842 542 146</b> FS1

Material: PP granulate  
Scope of delivery: Incl. fastening material (FS)

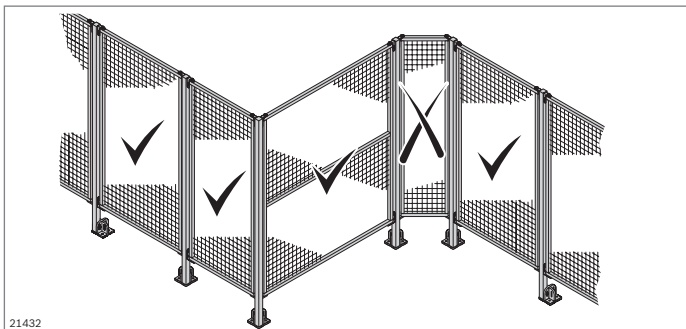




21407

### Tilt lever

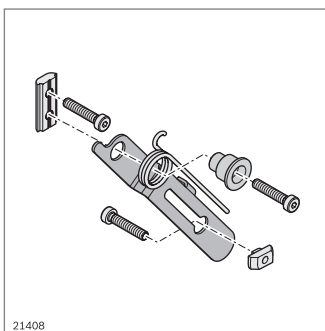
- ▶ For compliance with the requirement in Machinery Directive 2006/42/EC relating to the detaching of protective frames
  - The long-arm spring is designed so that it tilts the protective frame outwards, making it clear that the protective frame is detached
  - Protective frame cannot fall out
- ▶ Easily removable EcoSafe protective frames
- ▶ Can be retrofitted
- ▶ Installation on both sides recommended for EcoSafe protective frames of width  $B > 1500$  mm



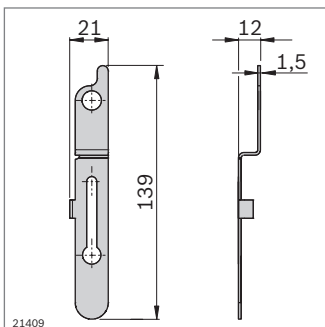
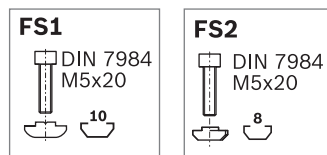
21432

Possible installation situation:

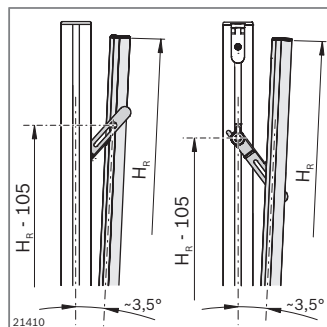
- ▶ Not suitable for installing the protective frame across a corner



21408



21409

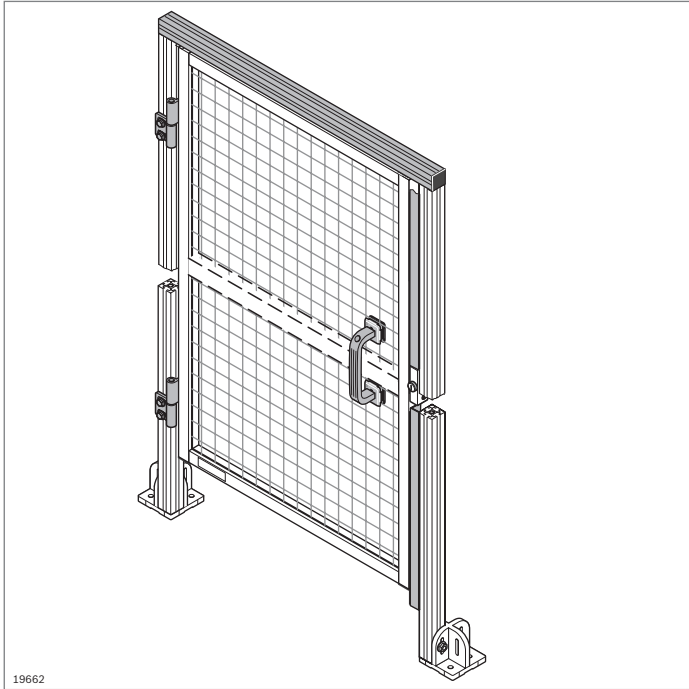


21410

Tilt lever	No.	FS
	<b>3 842 546 560</b>	FS1, FS2

Material: Holding plate: Stainless steel  
 Spacer: Aluminum  
 Long-arm spring: Spring steel

Scope of delivery: Holding plate, spacer, long-arm spring, fastening material (FS)

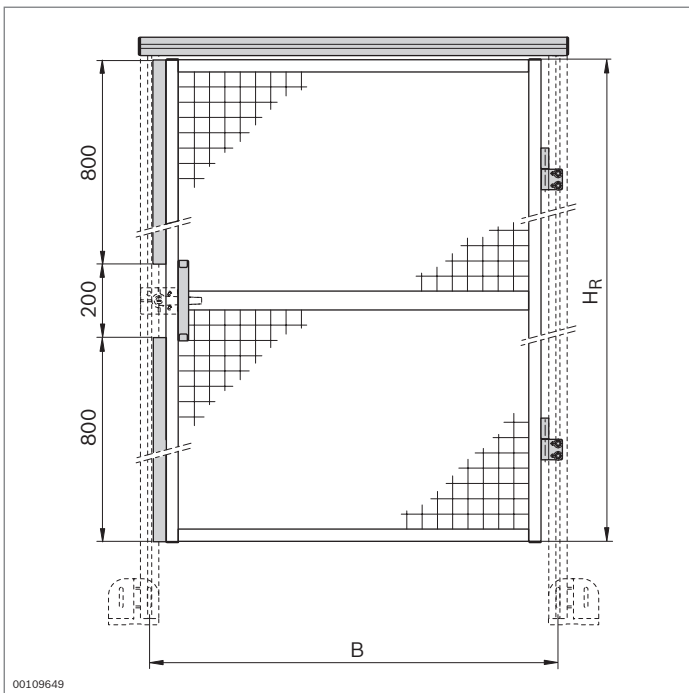


### EcoSafe system door kit

- ▶ For constructing an EcoSafe system door in the modular dimension system
- ▶ Use of finished protective frame as a door
- ▶ For doors that open to the left or right
- ▶ Required components:
  - Assembly kit for system door
  - Protective frame (p. 10-6)

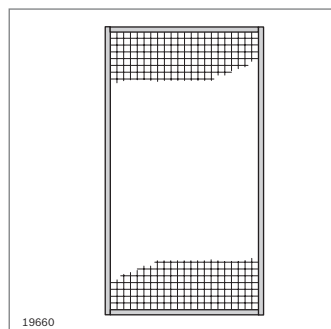
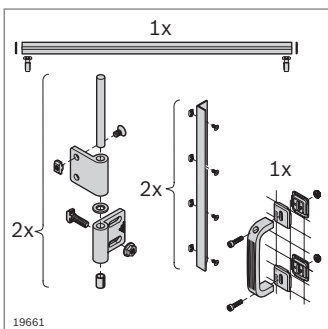
Optional accessories:

- ▶ Door lock (p. 8-11, 8-12, 8-15, 8-16, 8-17)
- ▶ Attachment kit for safety switch (p. 10-20)



Assembly kit for system door	H <sub>R</sub> (mm)	B (mm)	No.
	1800	1000	<b>3 842 523 166</b>
	1800	750	<b>3 842 523 165</b>

Scope of delivery: 2 x hinge, 2 x stop rail, profile as door lintel, bow-type handle, incl. fastening material

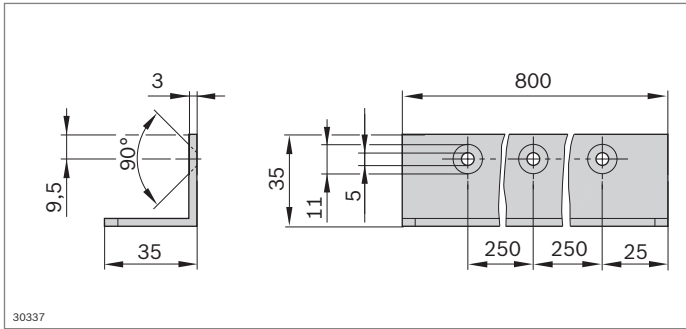


### Selection of suitable protective frames

Protective frame	H <sub>R</sub> (mm)	B (mm)	No.
<b>Protective frame, horizontal sections</b>	1800	1000	<b>3 842 554 281</b>
<b>Protective frame</b>	1800	750	<b>3 842 554 283</b>

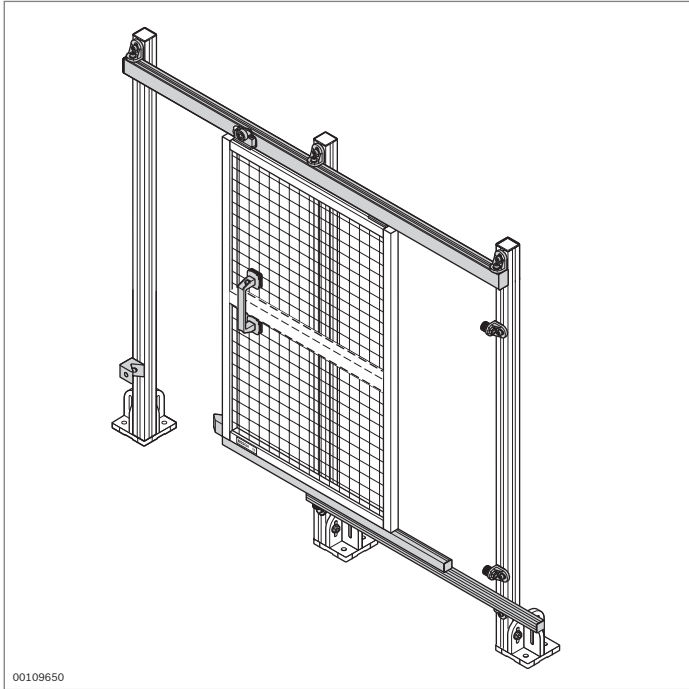
Material: Aluminum, anodized; woven wire grille and fastening material: Steel; galvanized

Scope of delivery: Fully assembled



- System door stop rail for self-assembly

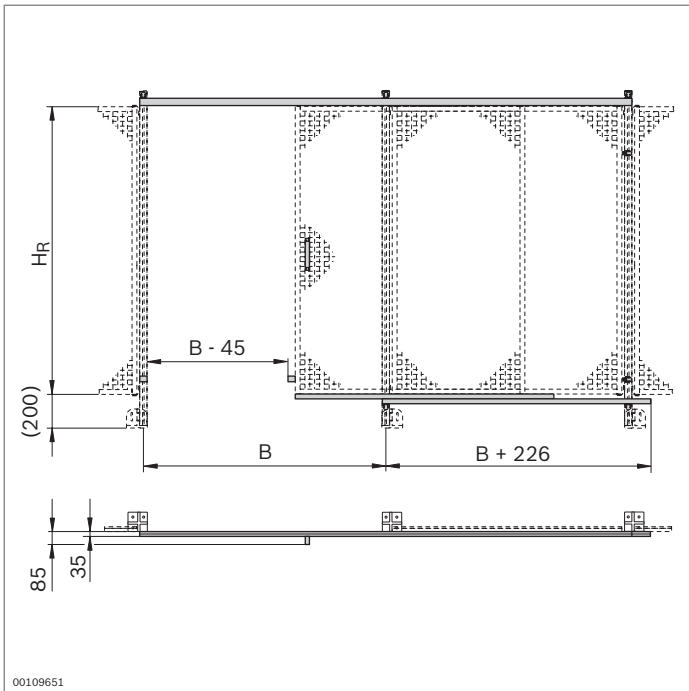
Stop rail	No.
	3 842 523 170



### EcoSafe assembly kit for sliding door with superstructure

- ▶ Assembly kit for constructing an EcoSafe sliding door with superstructure in the modular dimension system
- ▶ Use of finished protective frame as a door
- ▶ Easy subsequent installation in a protective fence
- ▶ Rollers with ball bearings for smooth running
- ▶ For doors that open to the left or right
- ▶ Required components:
  - Assembly kit for sliding door with superstructure
  - Protective frame (p. 10-6)

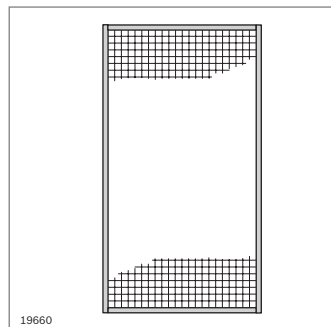
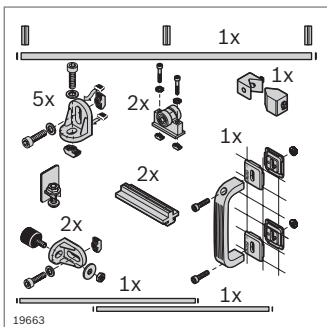
Optional accessories:  
Door lock (p. 8-11/8-13)



Assembly kit for sliding door with superstructure	$H_R$ (mm)	B (mm)	No.
---	------------	--------	-----

	1800	1000	<b>3 842 524 163</b>
	1800	1500	<b>3 842 524 164</b>

Scope of delivery: 2 x bumper, 2 x slider, 2 x trolley, profile for door superstructure, 7 x mounting bracket, stop kit, 2 x profile for sliding door

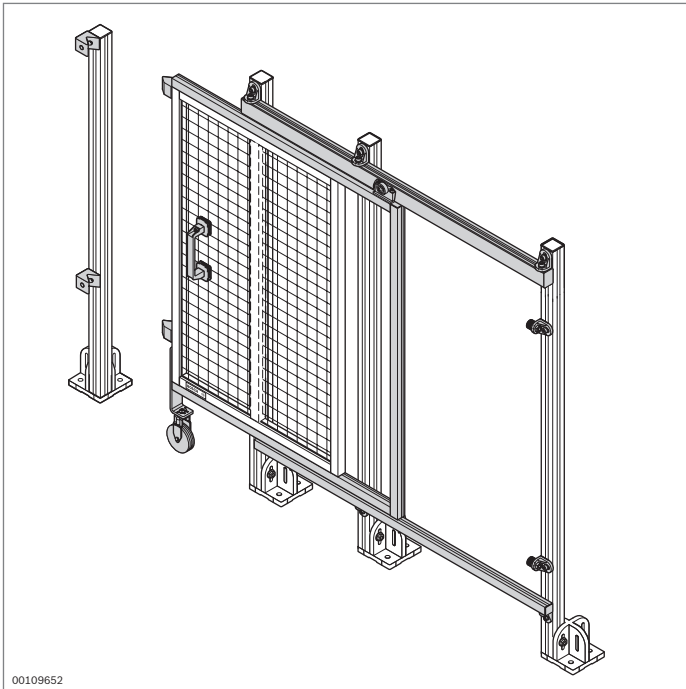


### Selection of suitable protective frames

Protective frame	$H_R$ (mm)	B (mm)	No.
	1800	1000	<b>3 842 554 284</b>
	1800	1500	<b>3 842 554 285</b>

Material: Aluminum, anodized; woven wire grille and fastening material: Steel; galvanized

Scope of delivery: Fully assembled

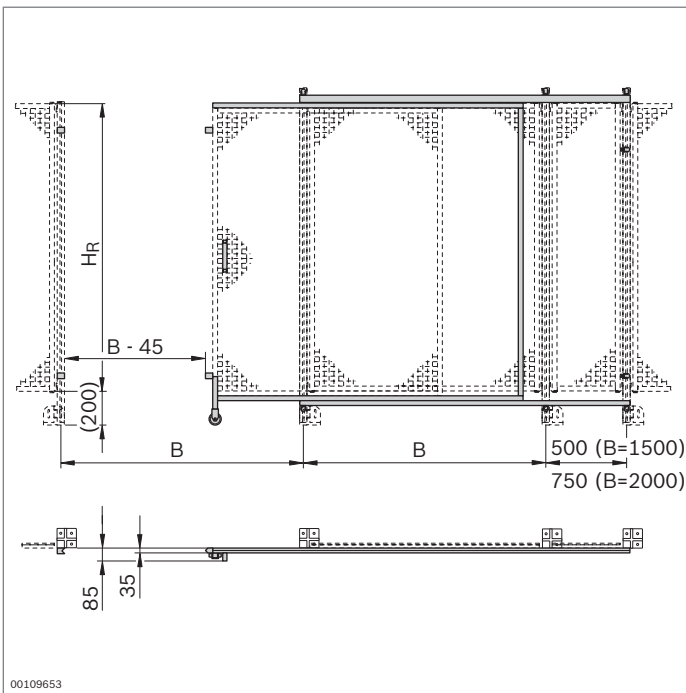


00109652

### EcoSafe assembly kit for sliding door without superstructure

- ▶ Assembly kit for constructing an EcoSafe sliding door without superstructure in the modular dimension system
- ▶ Use of finished protective frame as a door
- ▶ Rollers with ball bearings for smooth running
- ▶ For doors that open to the left or right
- ▶ Required components:
  - Assembly kit for sliding door without superstructure
  - Protective frame (p. 10-6)
- ▶ Also available with leg sets with 45x90L profiles for more stability

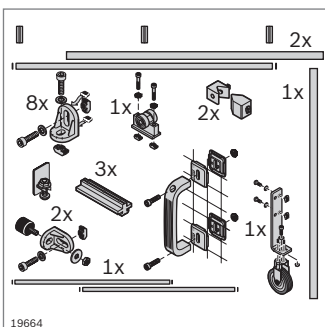
Optional accessories:  
Door lock (p. 8-11/8-13)



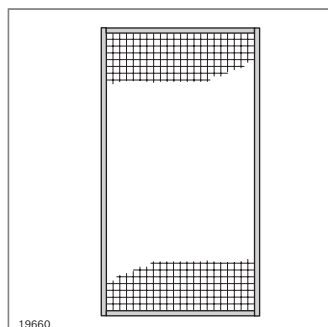
00109653

Assembly kit for sliding door without superstructure	H <sub>R</sub> (mm)	B (mm)	No.
	1800	1500	<b>3 842 524 165</b>
	1800	2000	<b>3 842 524 166</b>

Scope of delivery: 2 x bumper, 3 x slider, trolley, profile for door superstructure, 8 x mounting bracket, 2 x stop kit, 2 x profile for sliding door, incl. fastening material



19664



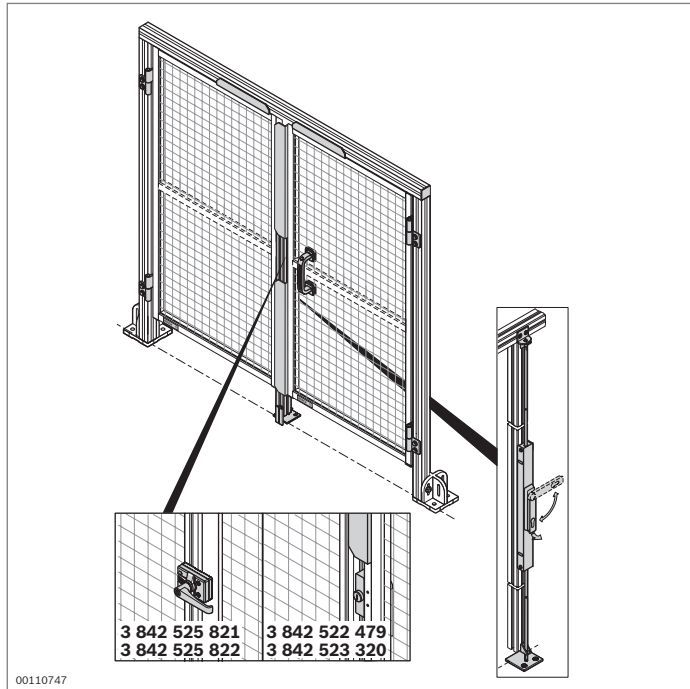
19660

### Selection of suitable protective frames

Protective frame	H <sub>R</sub> (mm)	B (mm)	No.
Protective frame	1800	1500	<b>3 842 554 285</b>
Protective frame, vertical sections	1800	2000	<b>3 842 554 280</b>

Material: Aluminum, anodized; woven wire grille and fastening material: Steel; galvanized

Scope of delivery: Fully assembled

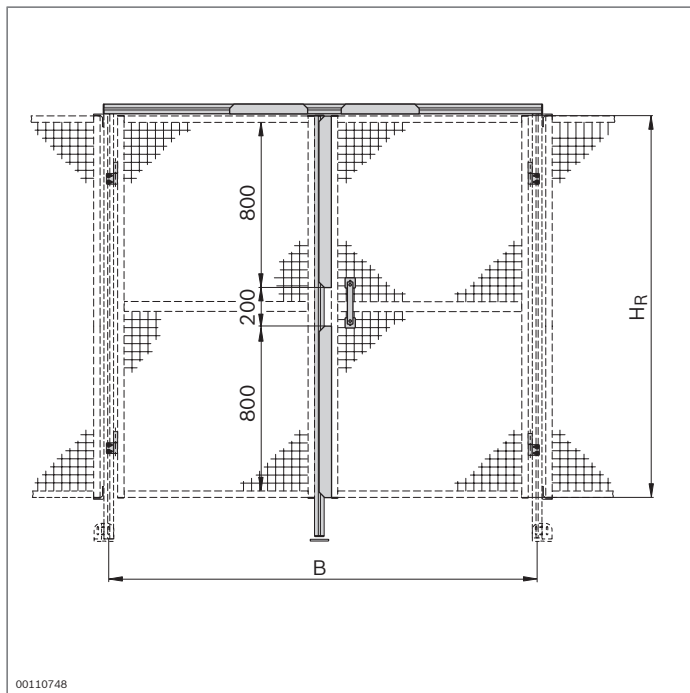


### EcoSafe double door kit

- ▶ Assembly kit for constructing an EcoSafe double door in the modular dimension system
- ▶ Use of finished protective frame as a door
- ▶ Easy subsequent installation in a protective fence
- ▶ Optional installation of a standard lock cylinder in the lock mechanism for the double door
- ▶ Required components:
  - Double door assembly kit
  - Two protective frames (p. 10-6)

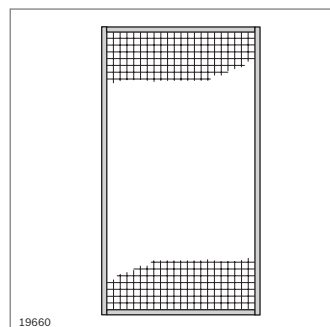
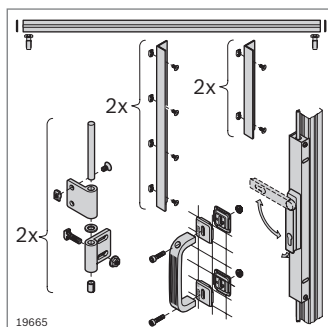
#### Optional accessories:

- ▶ Door lock (p. 8-11/8-12)
- ▶ Attachment kit for safety switch (p. 10-20)
- ▶ Conventional lock cylinder 35/35 is not included in the scope of delivery



Double door assembly kit	H <sub>R</sub> (mm)	B (mm)	No.
	1800	1500	<b>3 842 525 781</b>
	1800	2000	<b>3 842 525 782</b>

Scope of delivery: Lock mechanism assembly kit, profile for door superstructure, profile for door stop, 4x hinges, lock bracket, base plate, bow-type handle, 2x horizontal brackets, 2x vertical brackets, rail, fastening material



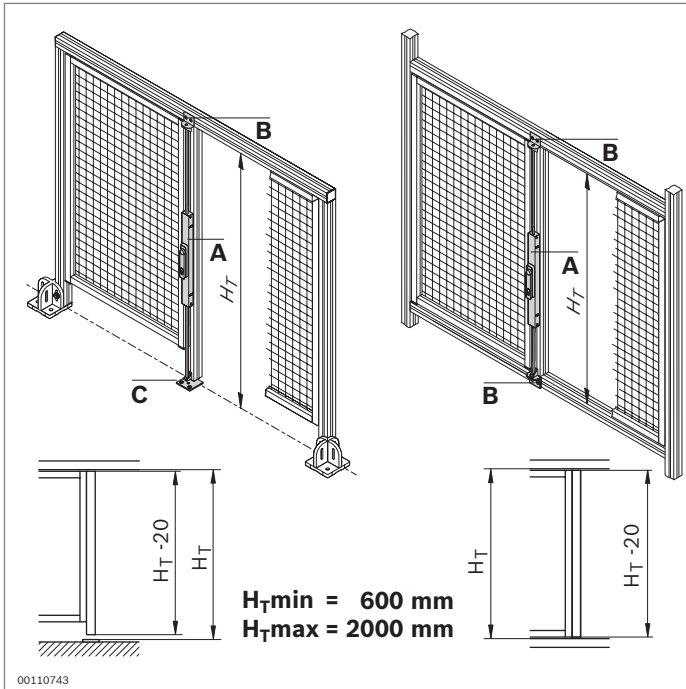
### Selection of suitable protective frames

Protective frame	H <sub>R</sub> (mm)	B (mm)	No.
Protective frame	1800	750	<b>3 842 554 283</b>
Protective frame, horizontal sections	1800	1000	<b>3 842 554 281</b>

Material: Aluminum, anodized; woven wire grille and fastening material: Steel; galvanized

Condition on delivery: Fully assembled





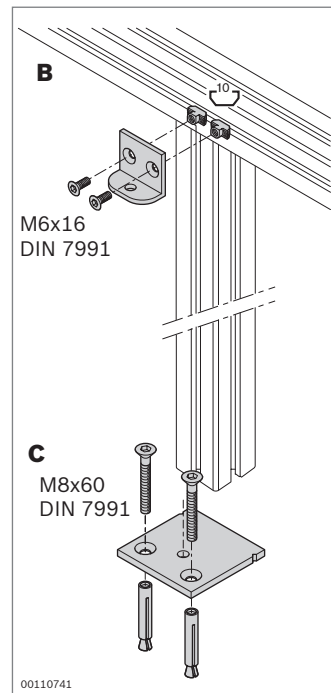
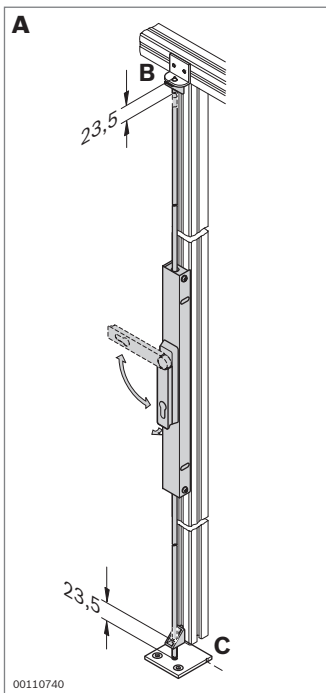
### Lock mechanism for double door



- ▶ Components for constructing a lock mechanism for double doors
- ▶ Optional installation of a standard lock cylinder in the lock mechanism for the double door
- ▶ Locking mechanism assembly kit (**A**) for individually designed double doors with  $H_{T,max} = 2000$  mm
- ▶ Lock bracket (**B**) for mounting the lock bolt bar
- ▶ Base plate (**C**) for mounting the lock bolt bar; fastened to the floor with supplied dowels. For doors which can be driven through

Optional accessories:

Conventional lock cylinder 35/35 is not included in the scope of delivery



Lock mechanism assembly kit	No.	FS
<b>A</b>	<b>3 842 525 780</b>	2xFS1, 2xFS2, 4xFS3

Material: Housing: Aluminum  
Door handle: PA; black  
Lock bolt: Steel; galvanized  
Lock bolt guide bracket: Diecast zinc

Scope of delivery: Lock mechanism for double door, incl. fastening material (FS)

Lock bracket	No.	FS
<b>B</b>	<b>3 842 526 786</b>	2xFS4

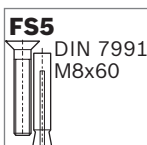
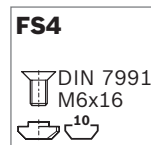
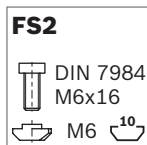
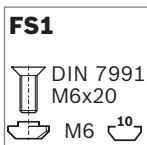
Material: Aluminum; anodized

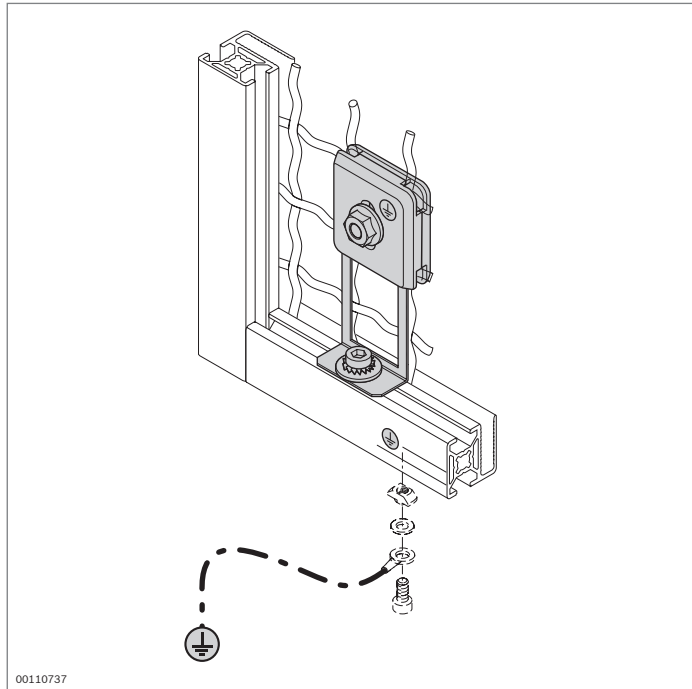
Scope of delivery: Incl. fastening material (FS)

Base plate	No.	FS
<b>C</b>	<b>3 842 526 787</b>	2xFS5

Material: Floor plate: Steel; stainless  
Floor dowel: Steel; galvanized

Scope of delivery: Incl. fastening material (FS)

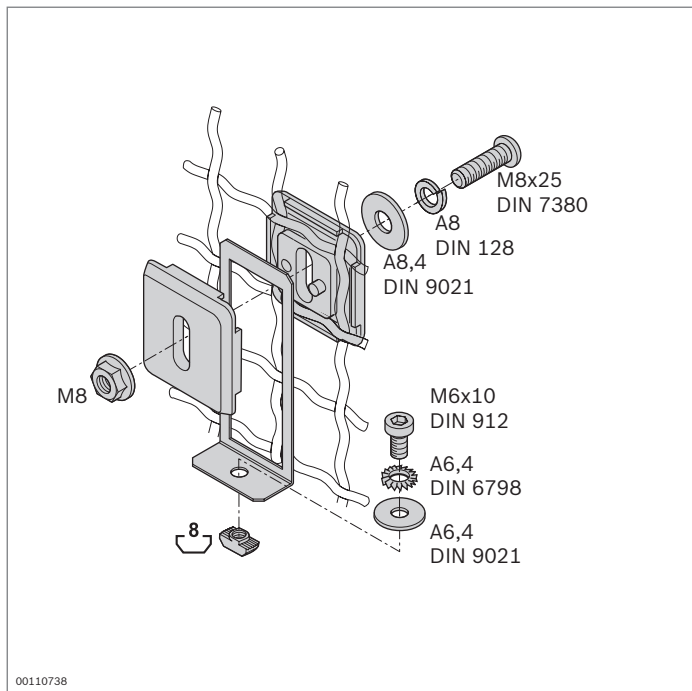




## Ground terminal



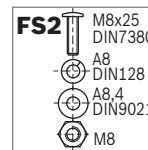
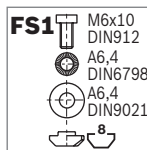
- For creating an electrically conductive connection between the woven wire grille and protective frame
- Connect the protective conductor via the ESD-conductive connection elements (e.g. T-nut)
- Guarantees safe conduction of short-circuit currents up to a rated current of 63 A

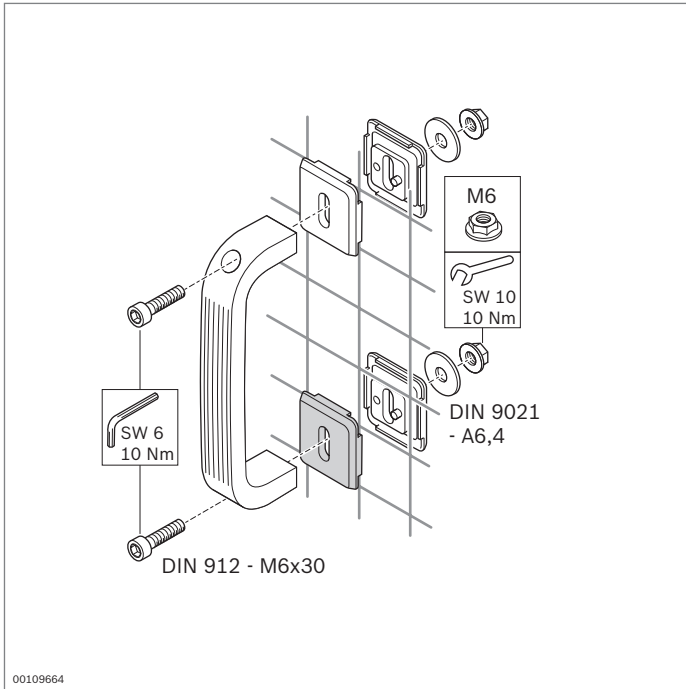


Ground terminal	No.	FS
	<b>3 842 525 833</b>	FS1, FS2

Material: Ground terminal: Steel; stainless  
 Clamping element: PA; black  
 Fastening material: Steel; galvanized

Scope of delivery: Incl. fastening material (FS)



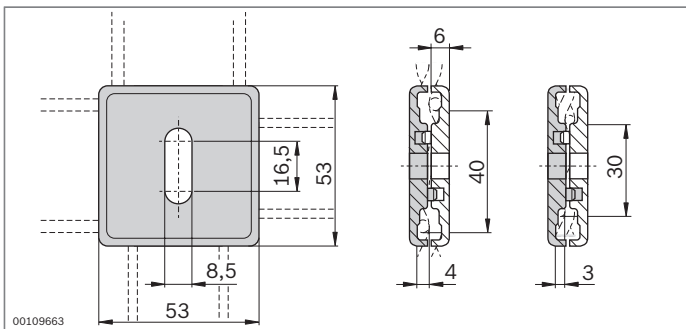


## Clamping element

- ▶ For attaching handles, information boards or warning signs to woven wire grilles 40x40x4 and 30x30x3
- ▶ Clamping with opposing pairs of clamping elements

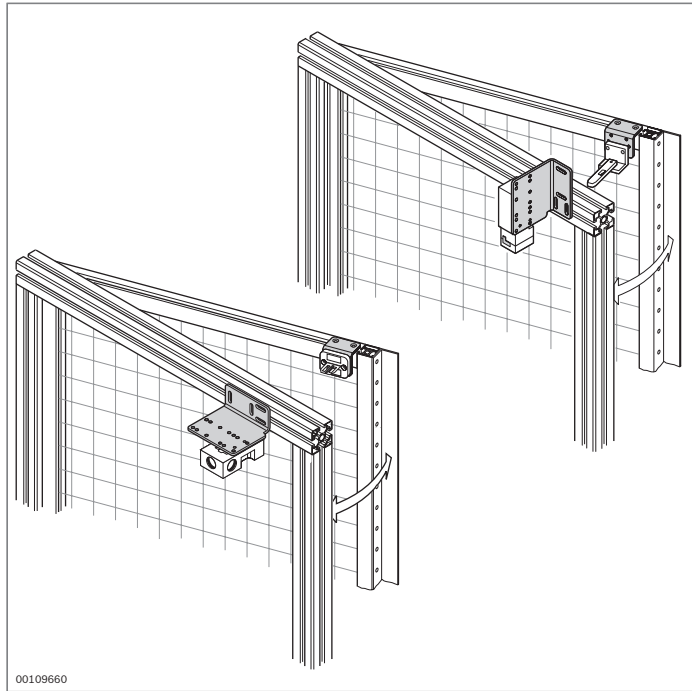
Required accessories:

Fastening material; see drawing



Clamping element	No.
	20 <b>3 842 523 308</b>

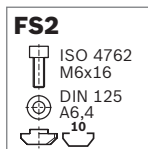
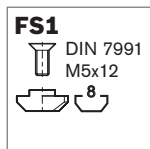
Material: PA66, black



## Attachment kit for safety switch



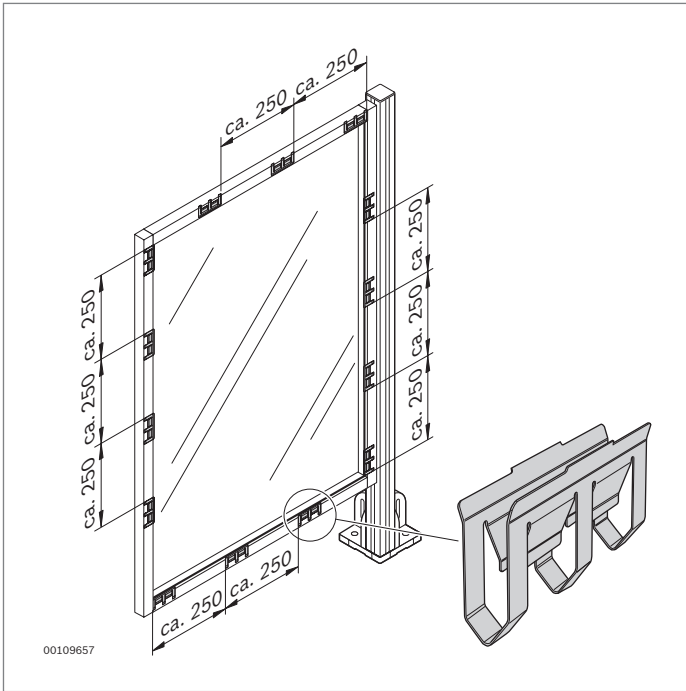
- For installing standard commercially available safety switches on EcoSafe system doors



Attachment kit for safety switch		No.	FS
For safety switch	For actuator		
Euchner NZ 1 VZ...	024298; 024299	<b>3 842 522 475</b>	2xFS1, 2xFS2
Euchner NZ 2 VZ...	024298; 024299		
Euchner NZ 1 VS...	024298; 024299		
Euchner NZ 2 VS...	024298; 024299		
Schmersal AZ15,...	AZ15/16-B2-1747		
Schmersal AZ16,...	AZ15/16-B2-1747		
Schneider Electric XCS - A...	XCS-Z03		
Schneider Electric XCS - C...	XCS-Z03		
Schneider Electric XCS - PA...	XCS-Z13		
Schneider Electric XCS - TE...	XCS-Z13		
Euchner TZ...	024298; 024299	<b>3 842 522 476</b>	2xFS1, 2xFS2
Schneider Electric XCS - LE/ LF...	XCS-Z03		
Schneider Electric XCS - TE...	XCS-Z13		
Schneider Electric XCS - PA...	XCS-Z13		
Schmersal AZM161...	AZM161-B1		
Schmersal AZM161...	AZM161-B1E		
		<b>3 842 522 477</b>	2xFS1, 2xFS2

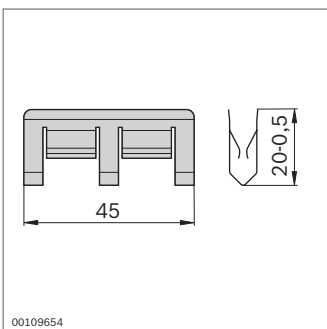
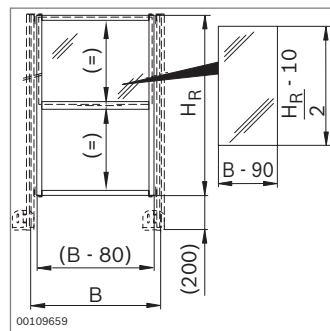
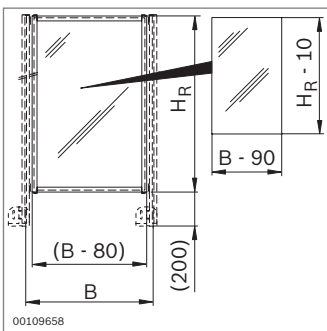
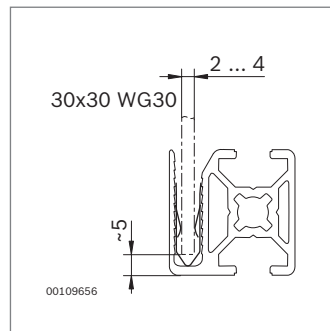
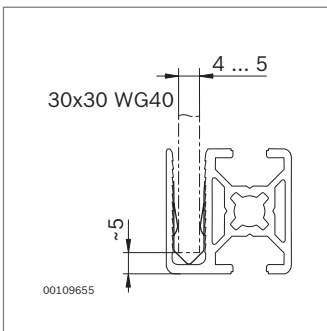
Material: Steel; galvanized

Scope of delivery: Incl. adapter plate, bracket, incl. fastening material (FS)

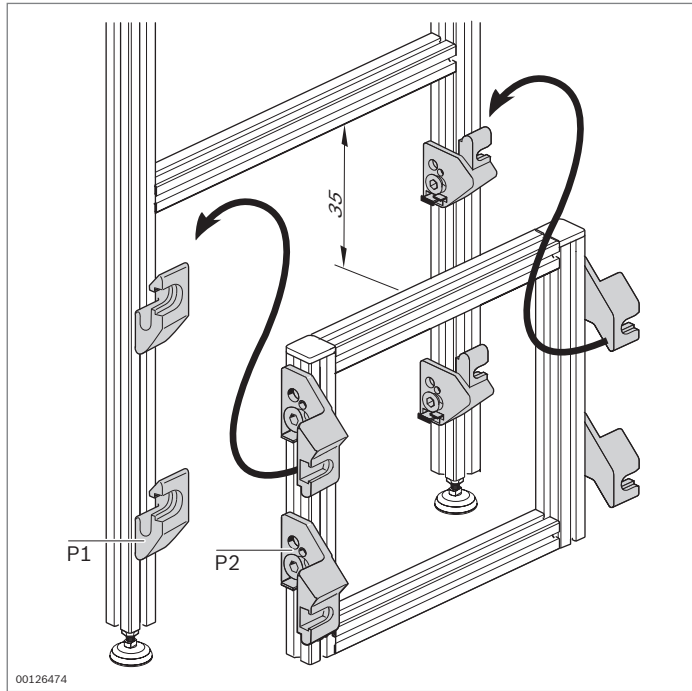


## Spring clamping element

- ▶ For clamping panel elements in EcoSafe protective fence profiles 30x30 WG30 and 30x30 WG40
- ▶ Play-free clamping
- ▶ Individual sections of the protective frames can be filled as you wish



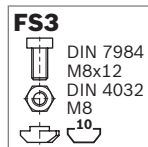
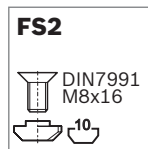
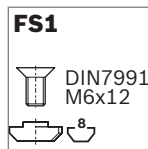
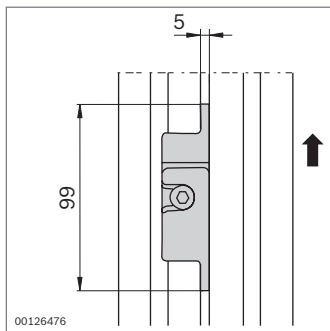
Spring clamping element	No.
	100 3 842 525 014
Material:	Spring steel, stainless



### Suspension piece for frames



- ▶ Very quick fitting and removal of pre-assembled frames in prepared supporting structures
- ▶ Protection against unintentional lifting out due to both parts of the suspension piece being screwed in
- ▶ Notes on compliance with the Machinery Directive 2006/42/EC: Please note that fastening parts may work loose during disassembly



Suspension piece	P1	P2	No.	FS
<b>Set</b>	45	30	<b>3 842 515 531</b>	4x FS1, 4x FS2, 4x FS3
<b>Set</b>	45	45	<b>3 842 515 863</b>	8x FS2, 4x FS3

Material: Diecast zinc

Scope of delivery: Four suspension pieces,  
incl. fastening material (FS)

