

Joints



Joint 45x45 lockable
(p. 4-2)



Joints (p. 4-4)



Swivel bearing (p. 4-9)



Supporting arm joint
(p. 4-10)



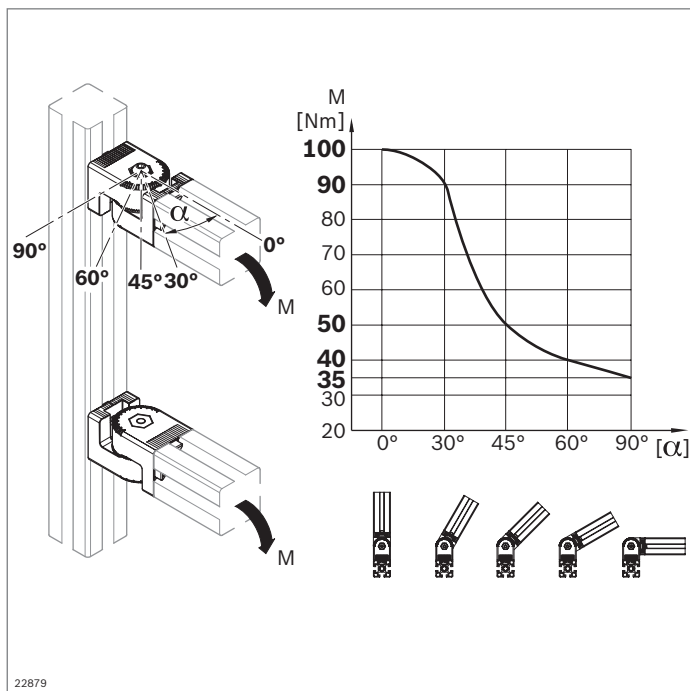
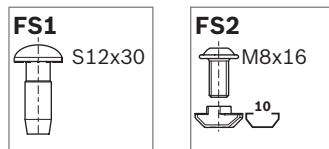
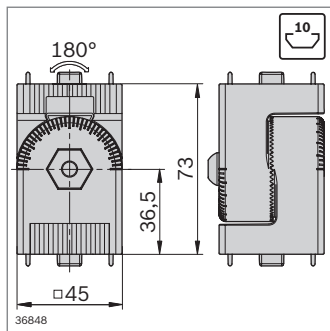
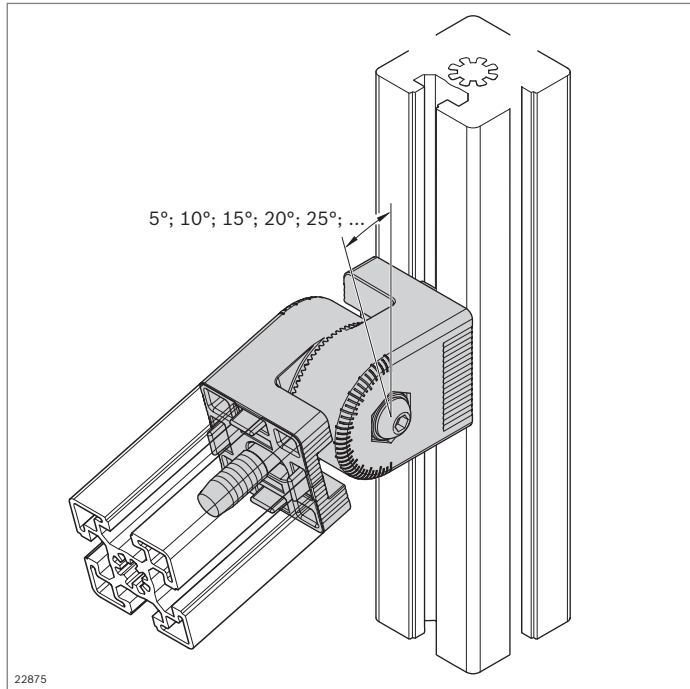
Bearing pedestal (p. 4-11)



Swivel mounting (p. 4-12)



Clamping lever, star knob
(p. 4-13)



Joint 45x45 lockable



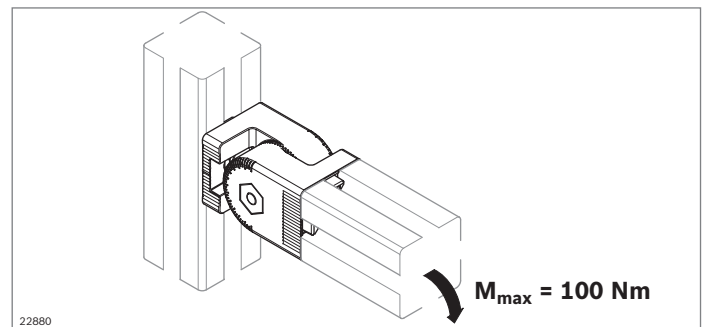
- ▶ For adjustable or rigid profile connections
- ▶ For high loads up to 100 Nm in the swivel direction
- ▶ Form fit thanks to Hirth teething
- ▶ Swivel range 180°
- ▶ Easy adjustment in the 5° modular dimensions
- ▶ Marking with a 5° graduation for easy detection of the adjustment angle
- ▶ Clamping and convenient adjustment of joint using a clamping lever or screw
- ▶ Profile finishing: Not required (self-cutting screw for end face to end face connections)
- ▶ Compatible with joint 45x45 and joint 45x45 support (p. 4-5)

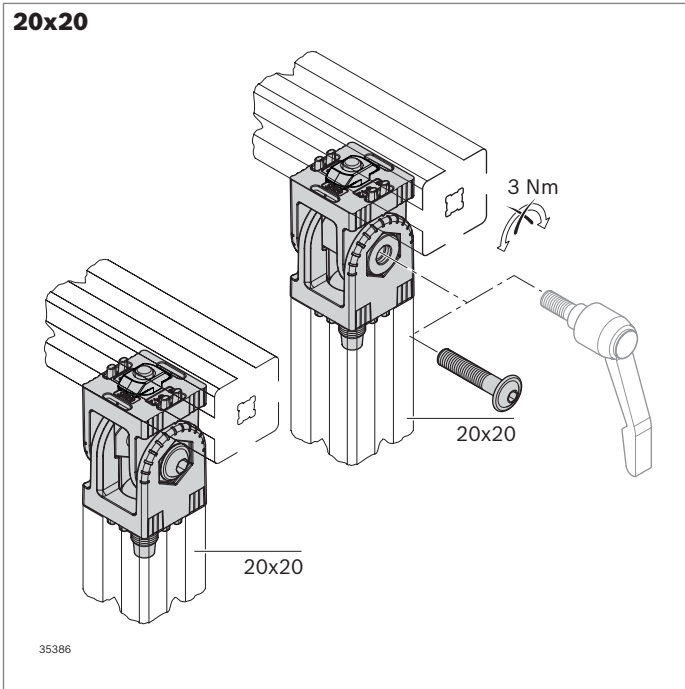
Joint 45x45 lockable	Slot	ESD	No.	FS
	10		3 842 546 564	2xFS1, 2xFS2

Material: Diecast zinc
Fastening material: Steel; galvanized
Scope of delivery: Incl. fastening material (FS)

Clamping lever M8x45	No.
For joint 45x45 lockable	3 842 538 607

Material: Diecast zinc, black polymer coating

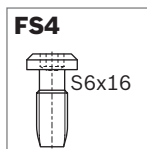
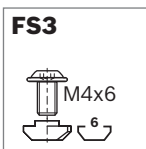
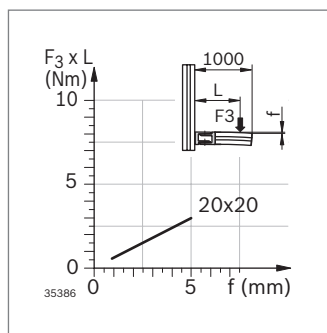
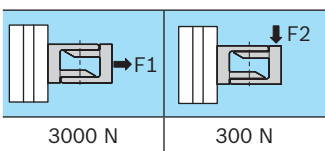
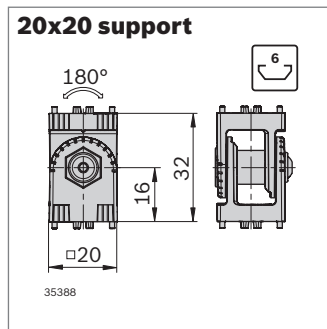
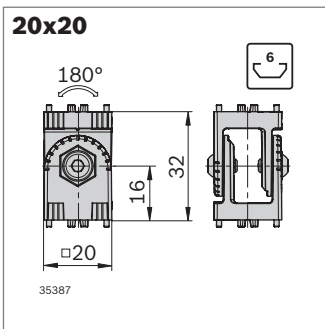




Joint 20x20



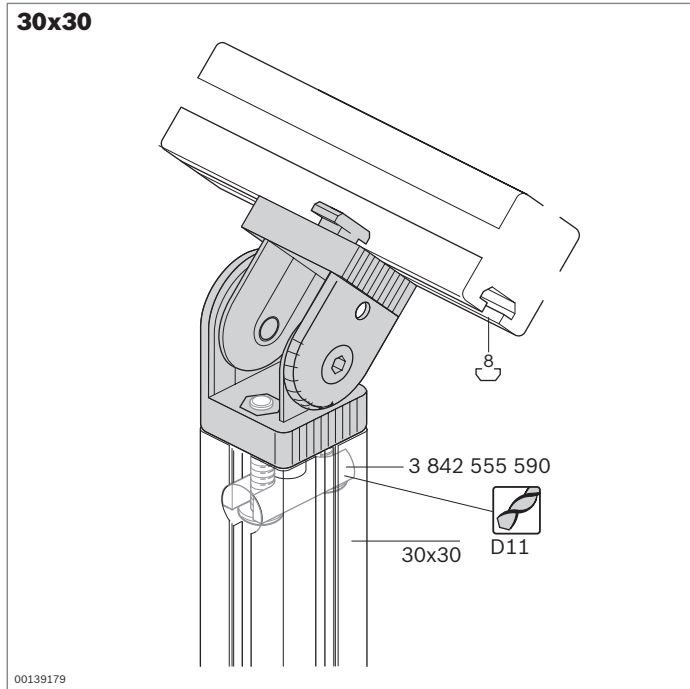
- ▶ For movable or rigid profile connections at any angle
- ▶ Swivel range 180°
- ▶ With a 15° graduation
- ▶ Clamping (3 Nm) and convenient adjustment of joint using a clamping lever (M4x20)
- ▶ *designLINE* version with special silver paint (RAL 9006) for an attractive, high-quality design
- ▶ Two different assembly versions (normal and support) available under the same order number



Joint 20x20	Slot	ESD	No.	FS
Standard	6		3 842 555 659	2xFS3, 2xFS4
designLINE	6		3 842 555 665	2xFS3, 2xFS4

Material: Standard: Diecast aluminum
designLINE: painted, RAL 9006
 Fastening material: Steel; galvanized

Scope of delivery: Incl. fastening material (FS)



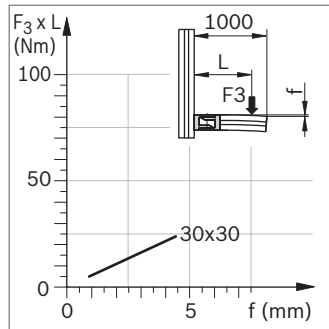
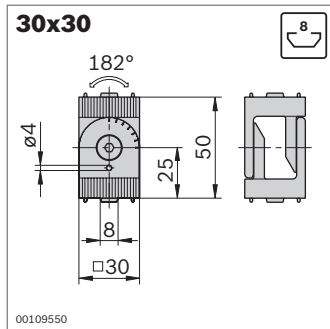
Joint 30x30



- ▶ For movable or rigid profile connections at any angle
- ▶ Swivel range 182°
- ▶ With a 15° graduation
- ▶ Locking by clamping (5 Nm) or fixing with pins (15 Nm)
- ▶ *designLINE* version with special silver paint (RAL 9006) for an attractive, high-quality design
- ▶ Profile finishing:
Through-hole D11 for end face profile connections

Required accessories:

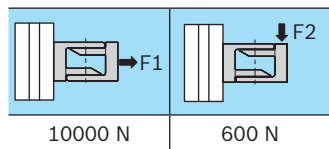
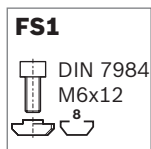
Bolt connector D11 for end face connections

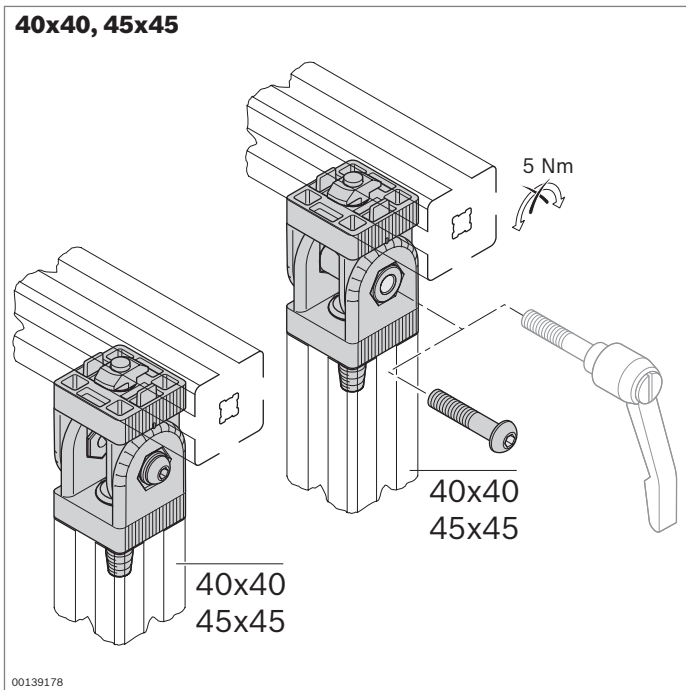


Joint 30x30	Slot ESD No.	FS
Standard	8	3 842 502 683 2xFS1, 4xFS2
designLINE	8	3 842 538 683 2xFS1, 4xFS2

Material: Standard: Diecast zinc
designLINE: painted, RAL 9006
Fastening material: Steel; galvanized

Scope of delivery: Incl. fastening material (FS)

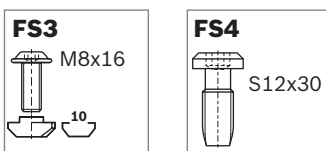
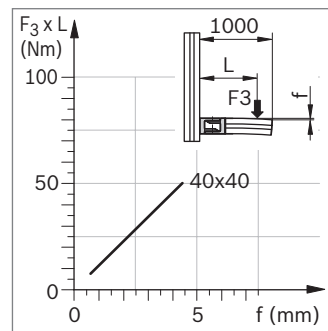
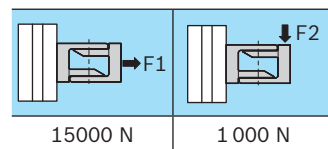
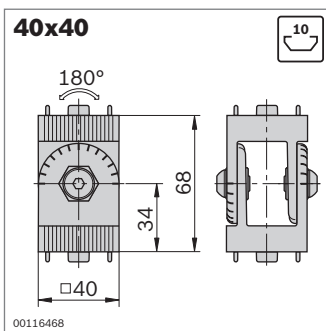




Join 40x40, 40x40 support, 45x45, 45x45 support

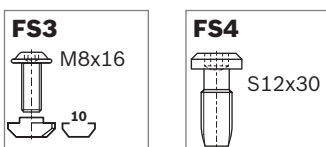
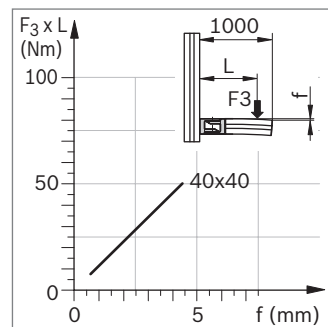
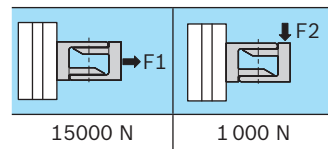
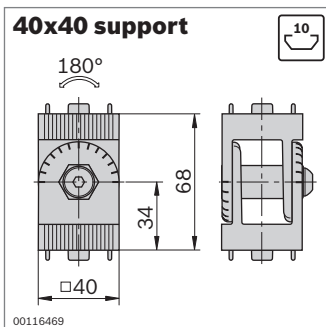


- ▶ For movable or rigid profile connections at any angle
- ▶ Swivel range 180°
- ▶ With a 15° graduation
- ▶ Clamping and convenient adjustment of “support” joint using a clamping lever (5 Nm)
- ▶ *designLINE* version with special silver paint (RAL 9006) for an attractive, high-quality design



Joint 40x40	Slot	ESD	No.	FS
Standard	10		3 842 543 401	2xFS3, 2xFS4
<i>designLINE</i>	10		3 842 538 684	2xFS3, 2xFS4

Material: Standard: Diecast aluminum
designLINE: painted, RAL 9006
Fastening material: Steel; galvanized
Scope of delivery: Incl. fastening material (FS)

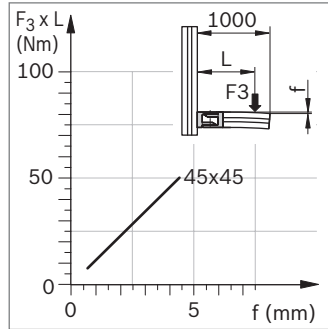
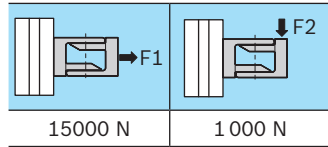
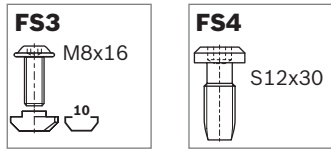
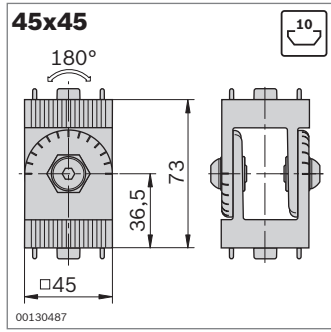


Joint 40x40 support	Slot	ESD	No.	FS
Standard	10		3 842 543 402	2xFS3, 2xFS4
<i>designLINE</i>	10		3 842 538 685	2xFS3, 2xFS4

Material: Standard: Diecast aluminum
designLINE: painted, RAL 9006
Fastening material: Steel; galvanized
Scope of delivery: Incl. fastening material (FS)

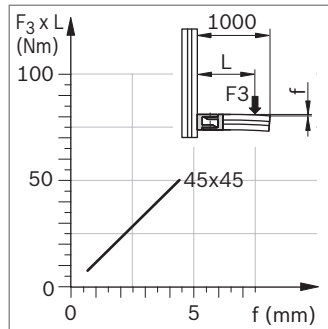
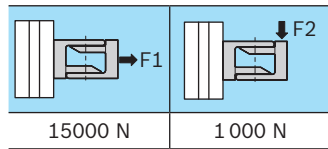
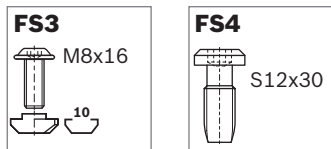
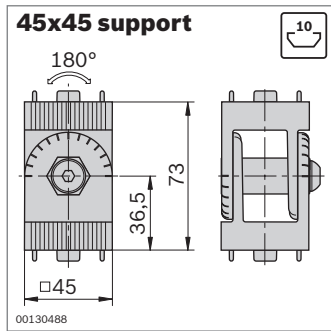
Clamping lever M8x40	No.
For joint 40x40 support	3 842 516 847

Material: Diecast zinc, black polymer coating



Joint 45x45	Slot	ESD	No.	FS
Standard	10		3 842 543 403	2xFS3, 2xFS4
<i>designLINE</i>	10		3 842 538 686	2xFS3, 2xFS4

Material: Standard: Diecast aluminum
designLINE: painted, RAL 9006
 Fastening material: Steel; galvanized
 Scope of delivery: Incl. fastening material (FS)

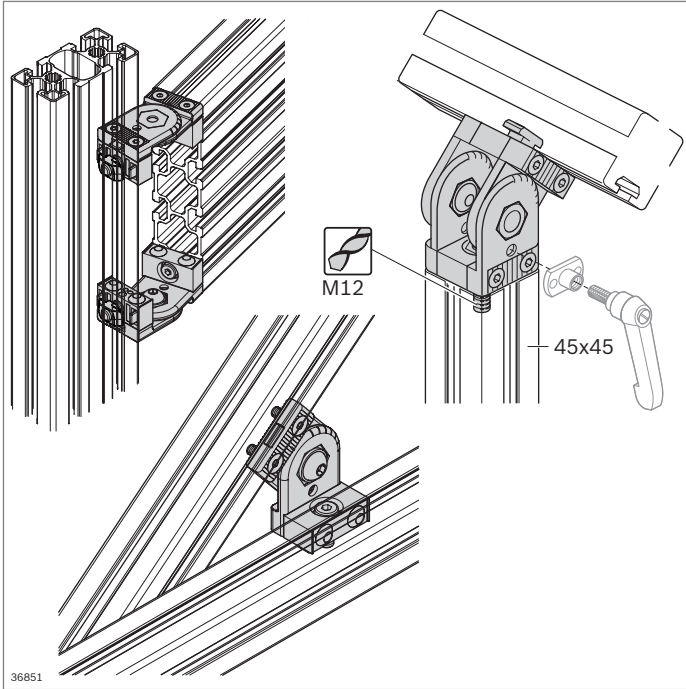


Joint 45x45 support	Slot	ESD	No.	FS
Standard	10		3 842 543 404	2xFS3, 2xFS4
<i>designLINE</i>	10		3 842 538 687	2xFS3, 2xFS4

Material: Standard: Diecast aluminum
designLINE: painted, RAL 9006
 Fastening material: Steel; galvanized
 Scope of delivery: Incl. fastening material (FS)

Clamping lever M8x45	No.
For joint 45x45 support	3 842 538 607

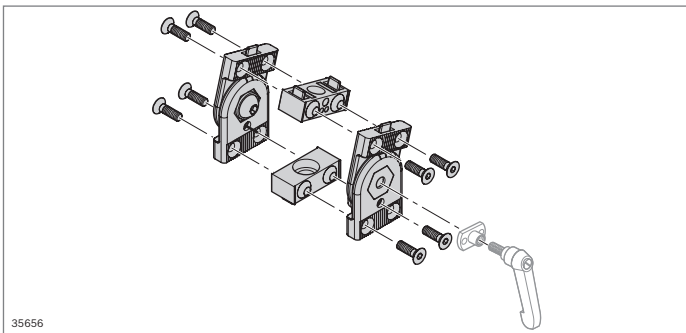
Material: Diecast zinc, black polymer coating



Joint 45x45

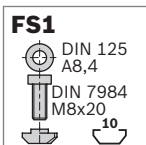
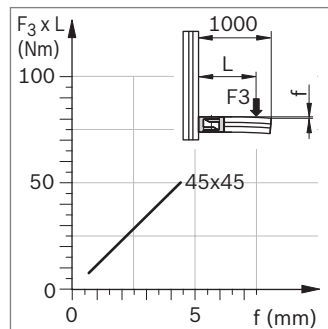
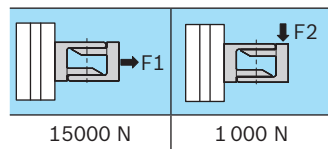
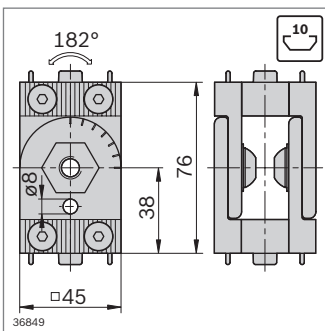


- ▶ For movable or rigid profile connections at any angle
- ▶ Swivel range 182°
- ▶ With a 15° graduation



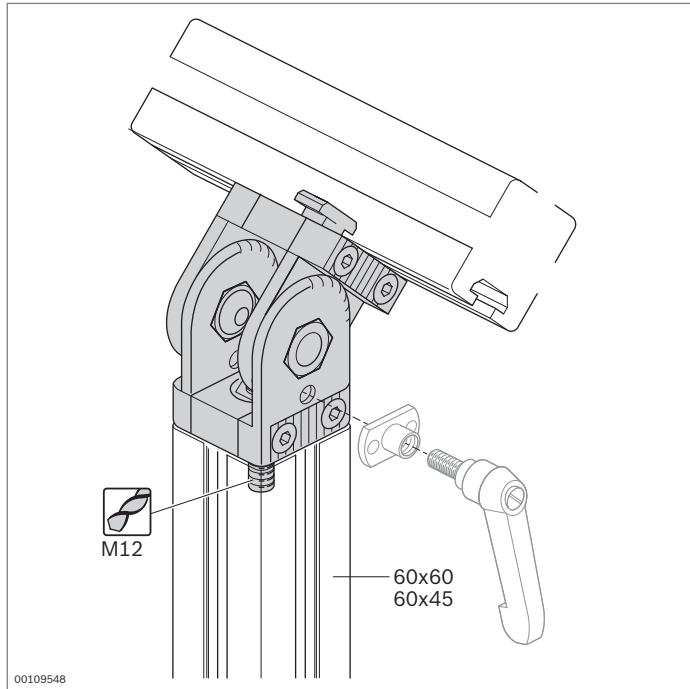
Joint 45x45	Slot ESD No.	FS
Standard	10	2xFS1, 2xFS2

Material: Standard: Diecast zinc
Fastening material: Steel; galvanized
Scope of delivery: Incl. fastening material (FS)



Clamping lever M5x10	ESD No.
For joint 45x45	3 842 505 144

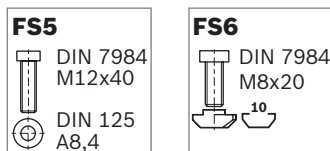
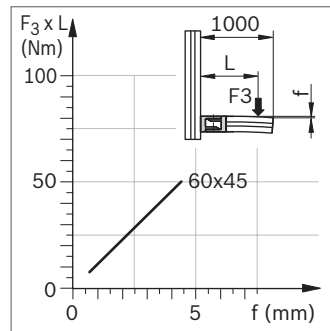
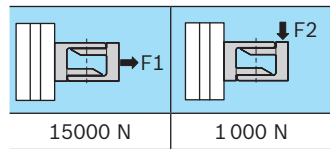
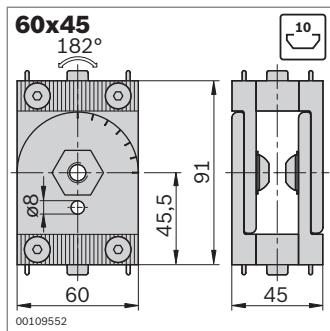
Material: Diecast zinc, black polymer coating



Joint 60x45, 60x60



- ▶ For movable or rigid profile connections at any angle
- ▶ Swivel range 182°
- ▶ With a 15° graduation
- ▶ Locking by clamping (5 Nm) or fixing with pins (15 Nm)
- ▶ The joint can be adjusted using a clamping lever
- ▶ *designLINE* version with special silver paint (RAL 9006)
- ▶ Profile finishing:
Thread (M12) in central bore for end connection



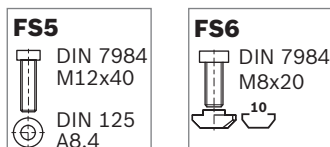
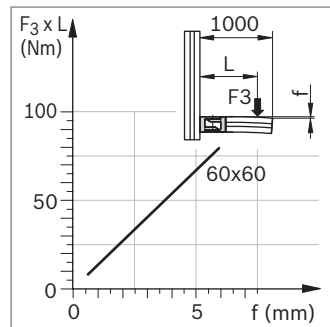
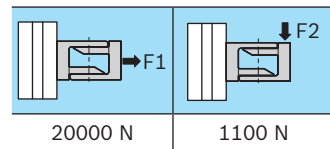
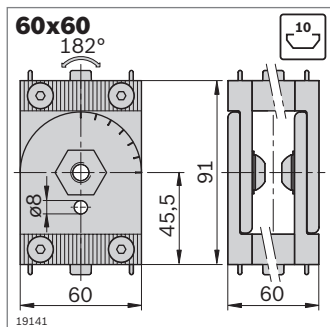
Joint 60x45	Slot	ESD	No.	FS
Standard	10		3 842 502 688	2xFS5, 2xFS6
<i>designLINE</i>	10		3 842 539 799	2xFS5, 2xFS6

Material: Standard: Diecast zinc
designLINE: painted, RAL 9006
Fastening material: Steel; galvanized

Scope of delivery: Incl. fastening material (FS)

Clamping lever M5x10	No.
For joint 60x45	3 842 505 144

Material: Diecast zinc, black polymer coating



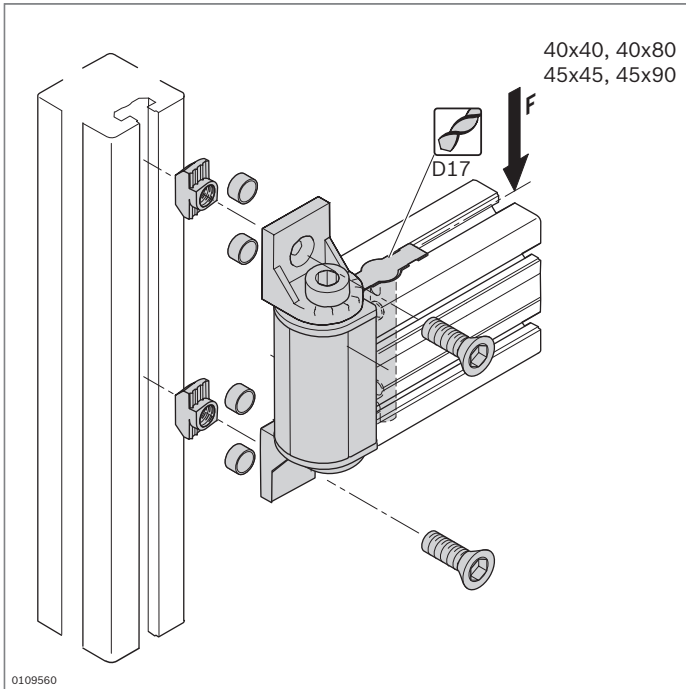
Joint 60x60	Slot	ESD	No.	FS
Standard	10		3 842 502 687	2xFS5, 2xFS6
<i>designLINE</i>	10		3 842 539 800	2xFS5, 2xFS6

Material: Standard: Diecast zinc
designLINE: painted, RAL 9006
Fastening material: Steel; galvanized

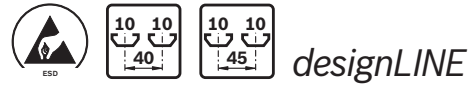
Scope of delivery: Incl. fastening material (FS)

Clamping lever M5x10	No.
For joint 60x60	3 842 505 144

Material: Diecast zinc, black polymer coating

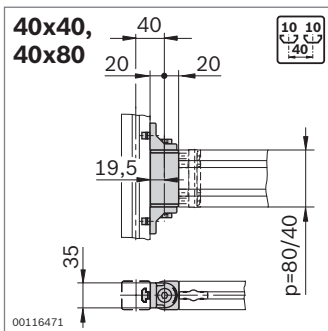


Swivel bearing

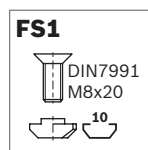


- ▶ Suitable for swiveling right-angled profile connections, e.g. for constructing supporting arms or doors
- ▶ *designLINE* version with special silver paint (RAL 9006) for an attractive, high-quality design
- ▶ Profile finishing:
Through-hole D17

4



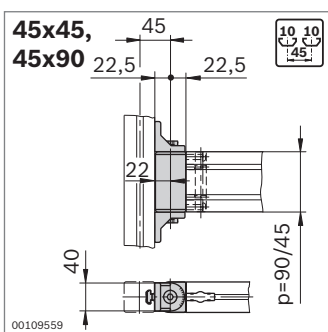
Profile	$M_{max} = F \times L$ (Nm)
40x40	40
40x80	130



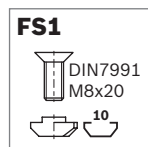
Swivel bearing		p (mm)	ESD	No.	FS
40x40	Standard	40	⚠	3 842 554 404	2xFS1
	<i>designLINE</i>	40	⚠	3 842 554 412	2xFS1
40x80	Standard	80	⚠	3 842 554 406	2xFS1
	<i>designLINE</i>	80	⚠	3 842 554 414	2xFS1

Material: Standard: Diecast aluminum
designLINE: painted (RAL 9006)
Fastening material: Steel; galvanized
Cover cap: PP; gray

Scope of delivery: Incl. cover caps, bolt connectors, fastening material (FS)



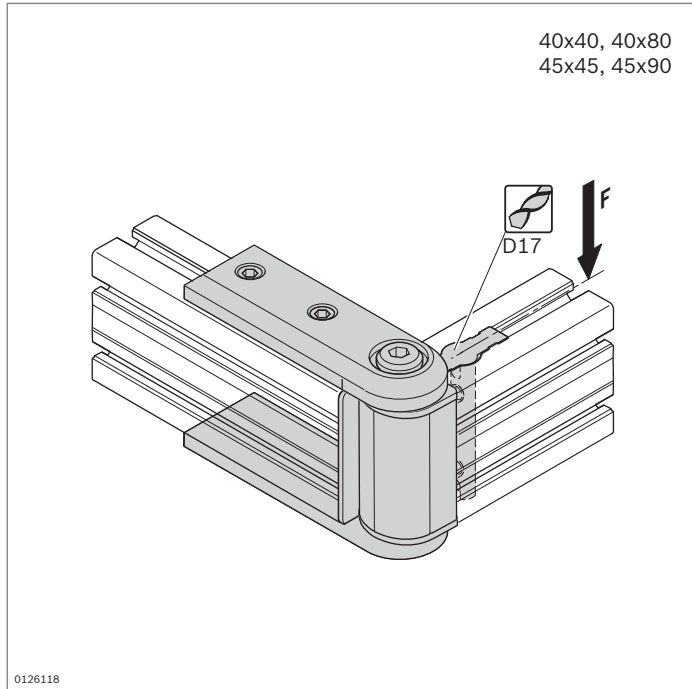
Profile	$M_{max} = F \times L$ (Nm)
45x45	50
45x90	150



Swivel bearing		p (mm)	ESD	No.	FS
45x45	Standard	45	⚠	3 842 554 408	2xFS1
	<i>designLINE</i>	45	⚠	3 842 554 416	2xFS1
45x90	Standard	90	⚠	3 842 554 410	2xFS1
	<i>designLINE</i>	90	⚠	3 842 554 418	2xFS1

Material: Standard: Diecast zinc
designLINE: painted (RAL 9006)
Fastening material: Steel; galvanized
Cover cap: PP; gray

Scope of delivery: Incl. cover caps, bolt connectors, fastening material (FS)

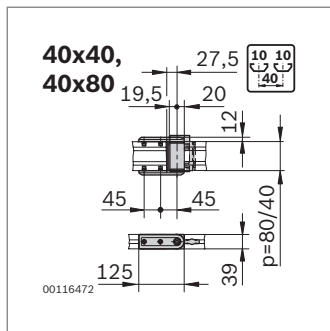


Supporting arm joint

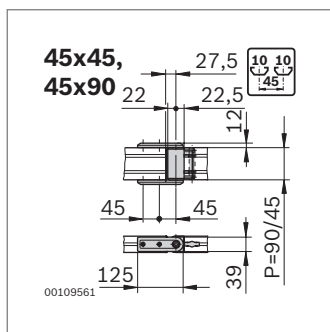
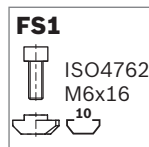


designLINE

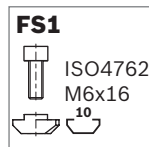
- ▶ Suitable for swiveling end connections, e.g. for the construction of supporting arms
- ▶ *designLINE* version with special silver paint (RAL 9006) for an attractive, high-quality design
- ▶ Profile finishing:
Through-hole D17



Profile	$M_{max} = F \times L$ (Nm)
40x40	40
40x80	130



Profile	$M_{max} = F \times L$ (Nm)
45x45	50
45x90	150



Supporting arm joint		p (mm)	ESD	No.	FS
40x40	Standard	40	⚡	3 842 554 420	4xFS1
	<i>designLINE</i>	40	⚡	3 842 554 428	4xFS1
40x80	Standard	80	⚡	3 842 554 422	4xFS1
	<i>designLINE</i>	80	⚡	3 842 554 430	4xFS1

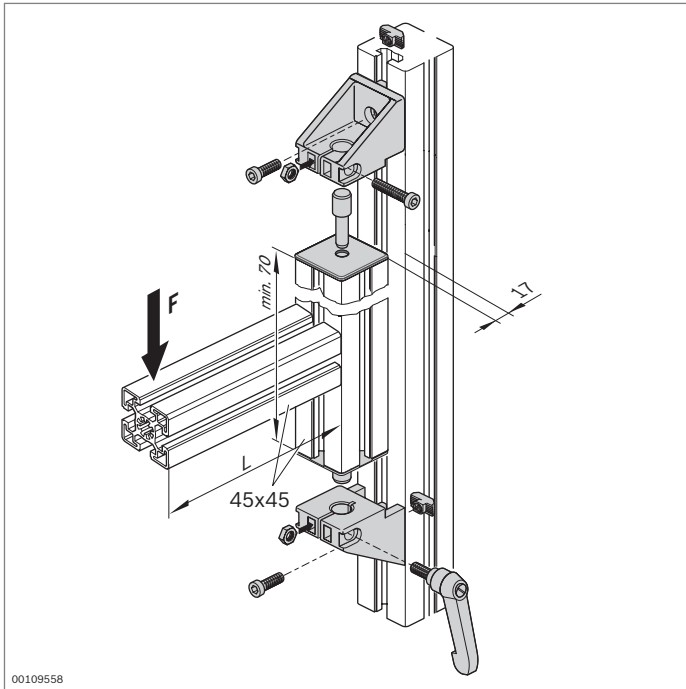
Material: Standard: Diecast zinc
designLINE: painted (RAL 9006)
Cover cap: PP, signal gray
Fastening material: Steel; galvanized

Scope of delivery: Incl. cover caps, bolt connectors, fastening material (FS)

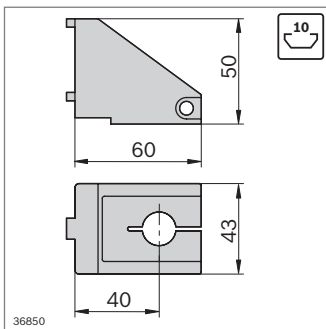
Supporting arm joint		p (mm)	ESD	No.	FS
45x45	Standard	45	⚡	3 842 554 424	4xFS1
	<i>designLINE</i>	45	⚡	3 842 554 432	4xFS1
45x90	Standard	90	⚡	3 842 554 426	4xFS1
	<i>designLINE</i>	90	⚡	3 842 554 434	4xFS1

Material: Standard: Diecast zinc
designLINE: painted (RAL 9006)
Cover cap: PP, signal gray
Fastening material: Steel; galvanized

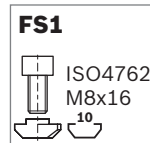
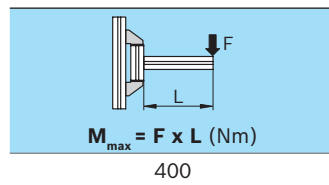
Scope of delivery: Incl. cover caps, bolt connectors, fastening material (FS)



00109558



36850



Bearing pedestal



designLINE

- ▶ Bearing pedestal for heavy constructions which have to be swiveled
- ▶ *designLINE* version with special silver paint (RAL 9006) for an attractive, high-quality design

4

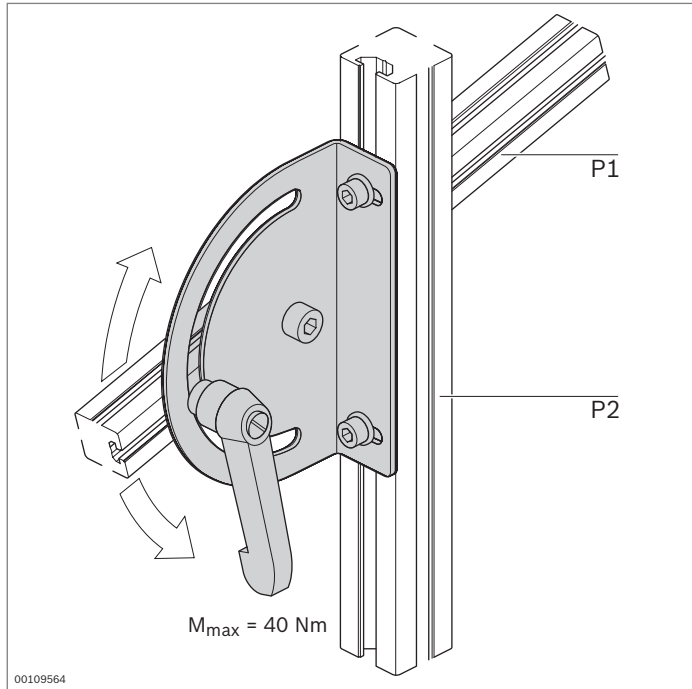
Bearing pedestal	Slot No.	FS
Standard	10 3 842 547 868	2xFS1
<i>designLINE</i>	10 3 842 547 869	2xFS1

Material:

Standard: Diecast zinc
designLINE: painted (RAL 9006)
 Fastening material: Steel; galvanized
 Clamping lever handle: Diecast zinc; black plastic coated
 Cover cap: PP, signal gray

Scope of delivery:

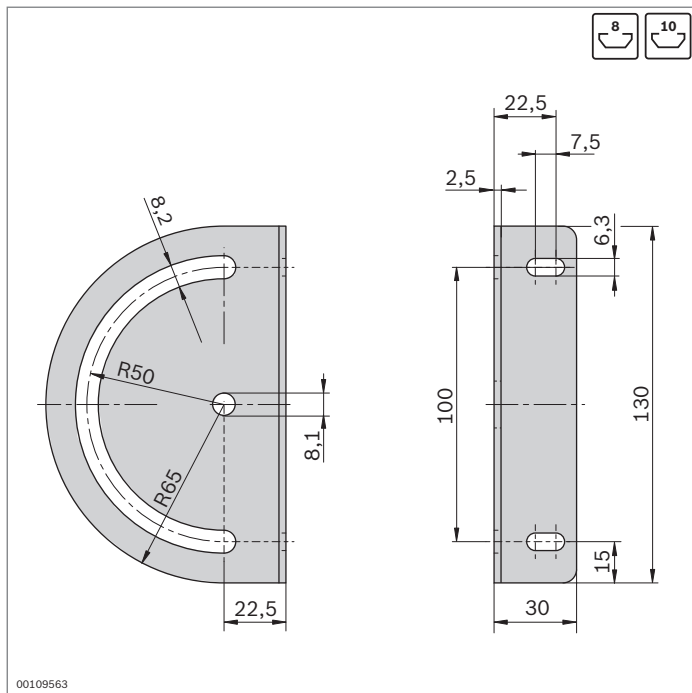
Incl. fastening material (FS), 2 x cover cap, 2 x bolt, clamping lever (and additional standard parts for clamping the bearing pedestal)



Swivel mounting 180°



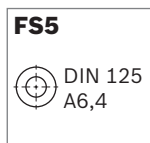
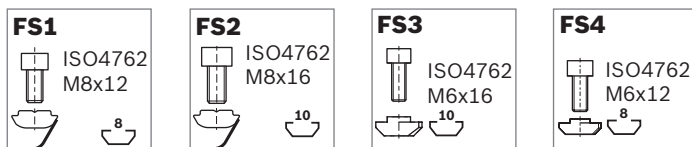
- Swivel mounting for shelves, etc. which need to be positioned at an angle of $\pm 90^\circ$

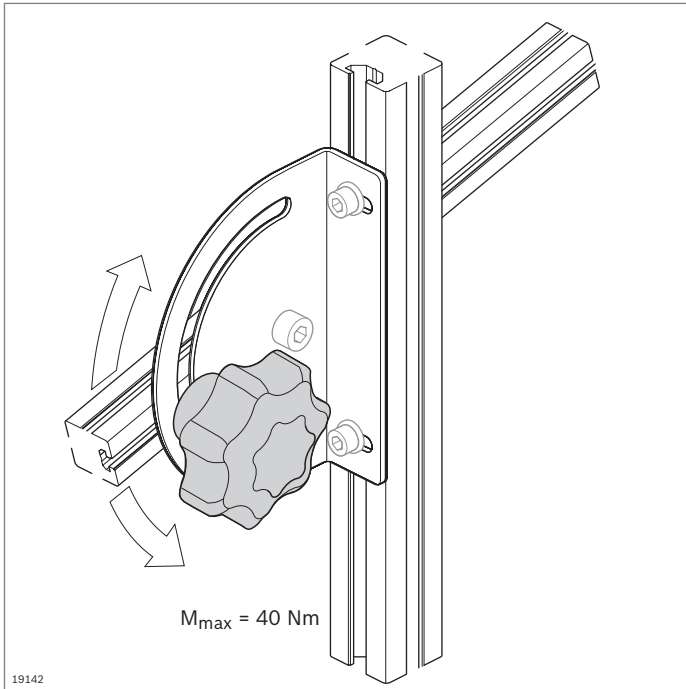


Swivel mounting 180°	P1 / P2	ESD	No.	FS
	8 / 8	⚠	3 842 538 275	FS1
	8 / 10			2xFS3
				2xFS4
				2xFS5
	10 / 8	⚠	3 842 538 276	FS2
	10 / 10			2xFS3
				2xFS4
				2xFS5

Material: Swivel mounting: Steel; galvanized
Clamping lever: Diecast zinc; black plastic coated

Scope of delivery: Incl. fastening material (FS), clamping lever with disk and swivel-in sliding block with spring





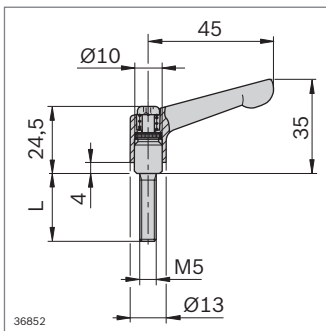
Clamping lever, star knob



- ▶ Clamping elements for adjustable connections

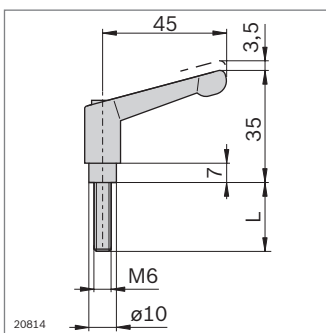
Accessories:

- ▶ Screws and sliding blocks; see fastening material (p. 4-12)



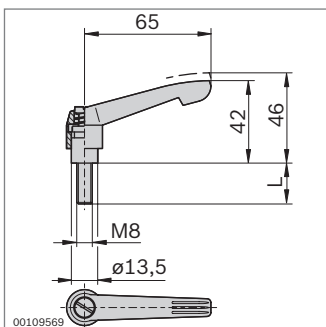
Clamping lever M5	L (mm)	No.
	10	3 842 505 144

Material: Clamping lever: Diecast zinc; black plastic coated
Screws: Steel; bronzed



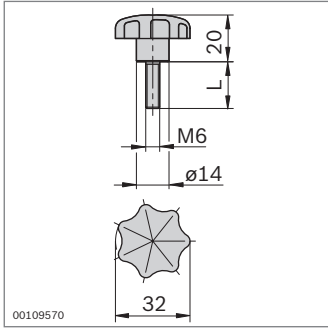
Clamping lever M6	L (mm)	No.
	25	3 842 528 540
	40	3 842 528 539

Material: Clamping lever: Diecast zinc; black plastic coated
Screws: Steel; galvanized and black chrome-plated



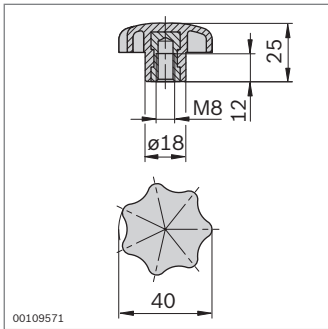
Clamping lever M8	L (mm)	No.
	12	3 842 516 845
	16	3 842 522 124
	20	3 842 516 846
	40	3 842 516 847
	45	3 842 538 607
	55	3 842 516 848

Material: Clamping lever: Diecast zinc; black plastic coated
Steel parts: galvanized, strength class 5.8



Star knob M6	L (mm)	No.
	15	3 842 516 849
	20	3 842 516 850

Material: Star knob: PA; black
Steel parts: galvanized, strength class 5.8



Star knob M8	No.
	3 842 516 851

Material: Star knob: PA; black
Steel parts: galvanized, strength class 5.8