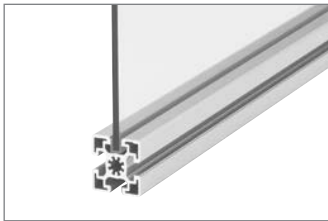
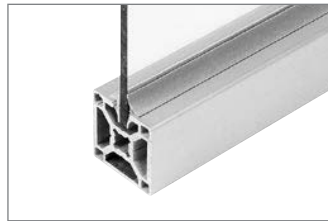


# Mounting of panel elements



Mounting rim profile  
(p. 7-2)



Mounting rim profile  
cleanroom (p. 7-3)



Protective pane profile, PVC  
(p. 7-4)



Protective pane profile for  
cleanroom (p. 7-5)



Variofix block (p. 7-6)  
Variofix block S (p. 7-7)



Bracket S (p. 7-8)



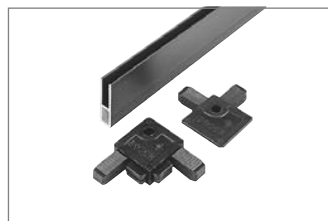
Retainer ring (p. 7-9)



Screw bar profile (p. 7-10)



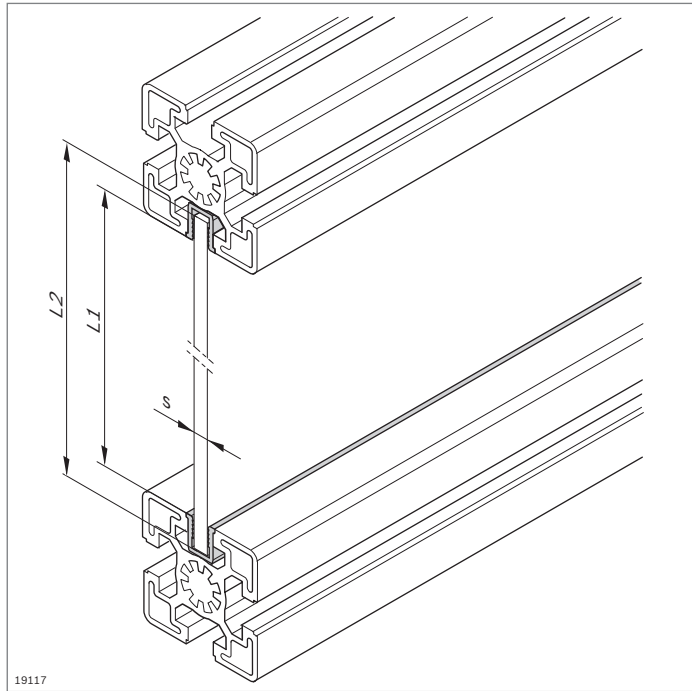
Potential equalizer  
(p. 7-11)



Protective grille profile  
(p. 7-12)



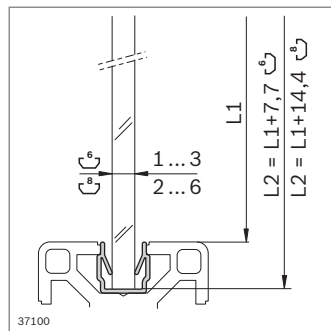
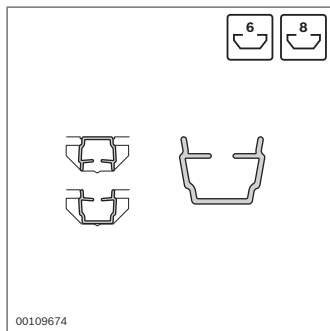
Clamp bushing (p. 7-13)



### Mounting rim profile

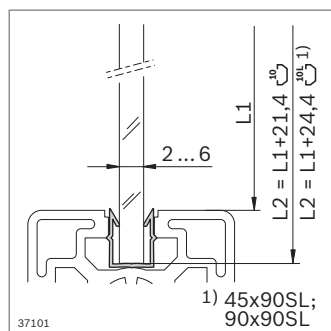
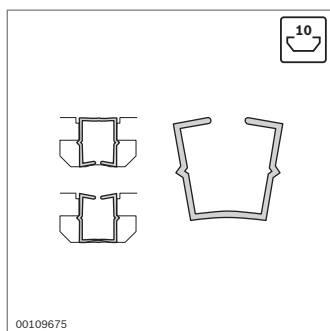


- ▶ For the play-free mounting of panel elements in the profile slot
- ▶ For panel elements up to 6 mm thick
- ▶ Installation during frame assembly
- ▶ Mounting rim profile PP can also be used as a cover profile



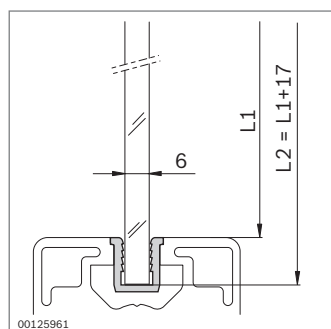
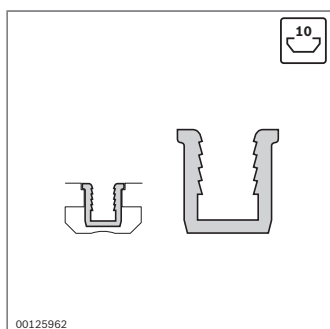
Mounting rim profile	Slot s (mm)	L (mm)	No.
	6	1 ... 3	2000 <b>3 842 555 272</b>
	8	2 ... 6	2000 <b>3 842 555 274</b>

Material: PP; signal gray RAL 7004



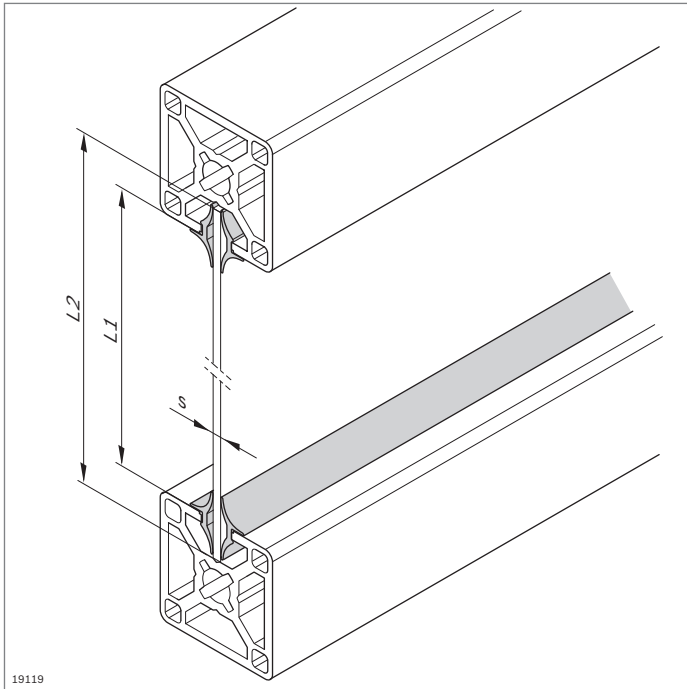
Mounting rim profile	Slot s (mm)	L (mm)	No.
	10	2 ... 6	2000 <b>3 842 555 276</b>

Material: PP; signal gray RAL 7004



Mounting rim profile	Slot s (mm)	L (mm)	No.
	10	6	2000 <b>3 842 555 270</b>

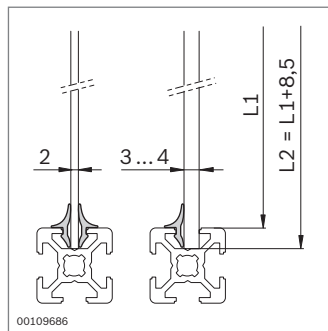
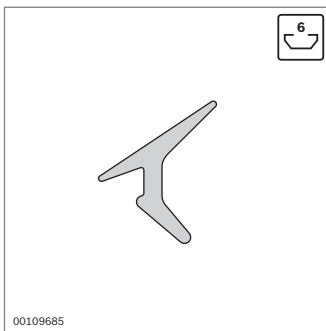
Material: PE; signal gray RAL 7004



### Mounting rim profile, cleanroom



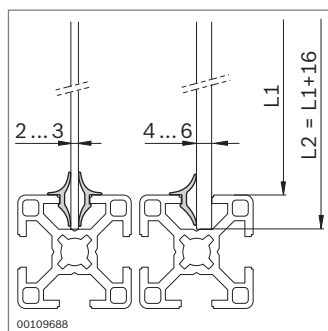
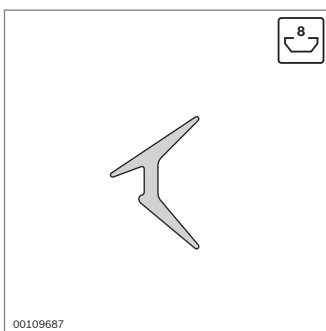
- ▶ For the play-free mounting of panel elements in the profile slot
- ▶ For panel elements with a thickness of 2 ... 8 mm
- ▶ For use on one or two sides of the mounting rim profile, depending on the panel element thickness
- ▶ Installation during profile frame assembly
- ▶ Can be used under cleanroom conditions
- ▶ Checked for emission of volatile organic substances at room temperature, 50 °C and 120 °C, Report No. BO 9903-160



Mounting rim profile, Clean	Slot s (mm)	L (mm)	No.
-----------------------------	-------------	--------	-----

	6	2 ... 4	10000 3 842 523 493
--	---	---------	---------------------

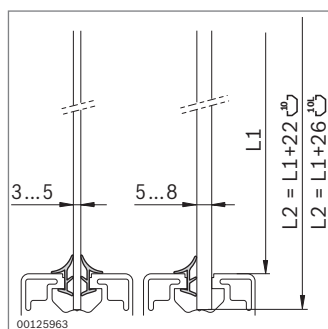
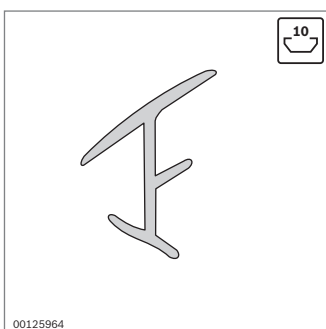
Material: TPE, light gray RAL 7035



Mounting rim profile, Clean	Slot s (mm)	L (mm)	No.
-----------------------------	-------------	--------	-----

	8	2 ... 6	10000 3 842 523 494
--	---	---------	---------------------

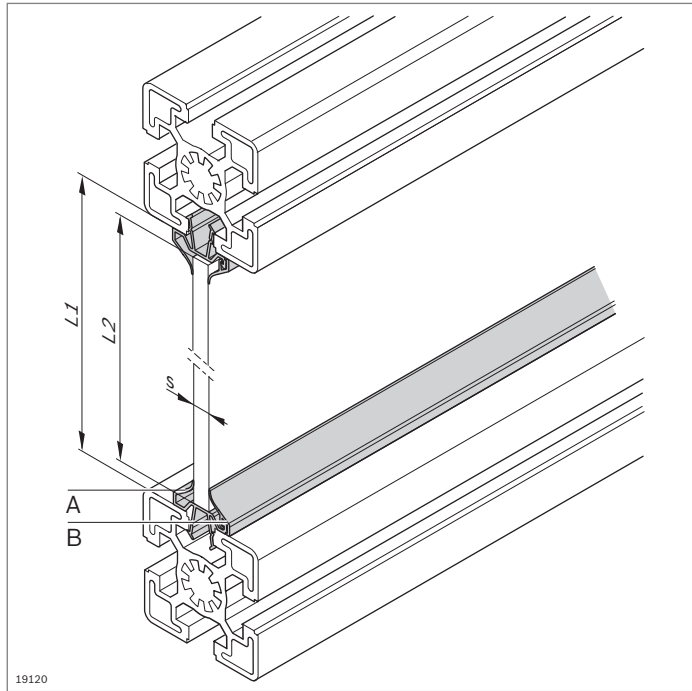
Material: TPE, light gray RAL 7035



Mounting rim profile, Clean	Slot s (mm)	L (mm)	No.
-----------------------------	-------------	--------	-----

	10	3 ... 8	10000 3 842 555 282
--	----	---------	---------------------

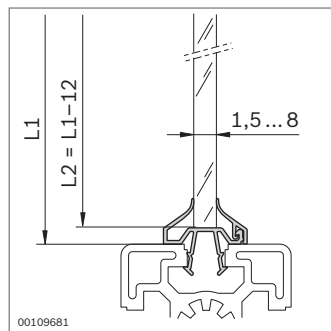
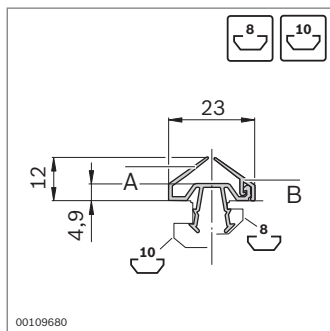
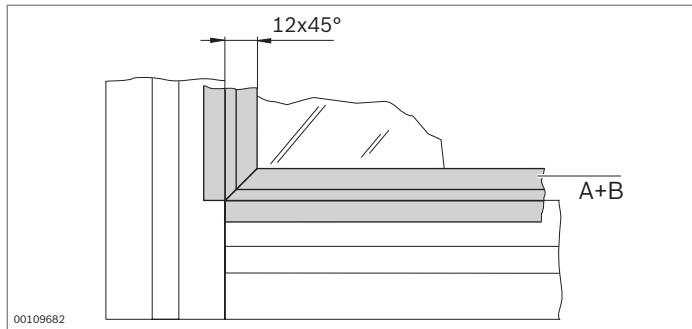
Material: TPE; signal gray RAL 7004



### Protective pane profile PVC

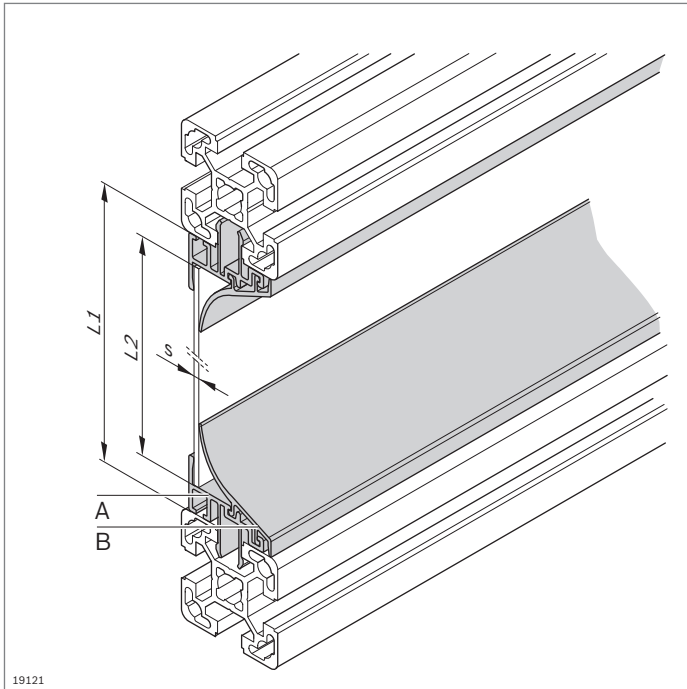


- ▶ For the play-free mounting of panel elements
- ▶ For panel elements with a thickness of 1.5 ... 8 mm
- ▶ For subsequent installation in closed frame constructions
- ▶ Installation of panel elements at center of slot
- ▶ The protective pane profile consists of the basic profile (**A**) and the clip strip (**B**)
- ▶ With lip seals to protect the working space from splashing liquids

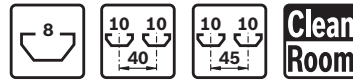


Protective pane profile PVC	Slot	s (mm)	L (mm)		No.
<b>A</b> Basic profile	8, 10	1.5 ... 8	2000	10	<b>3 842 555 284</b>
<b>B</b> Clip strip	8, 10	1.5 ... 8	2000	10	<b>3 842 555 286</b>

Material: PVC; signal gray RAL 7004

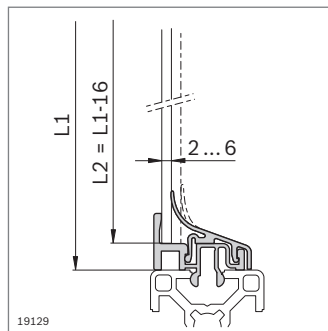
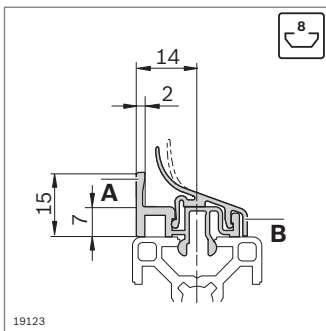


### Protective pane profile cleanroom



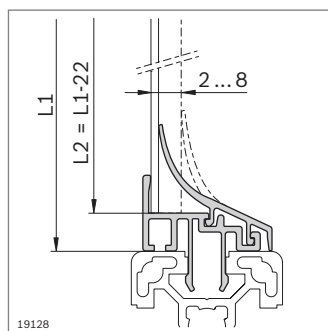
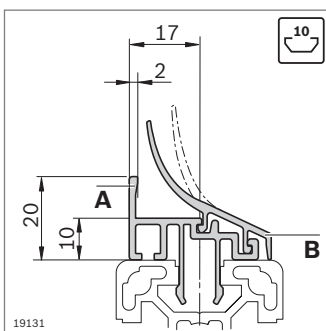
- ▶ For the play-free mounting of panel elements
- ▶ For panel elements with a thickness of 2 ... 8 mm
- ▶ For subsequent installation in closed frame constructions
- ▶ Installation of panel elements flush with the profile edge
- ▶ The protective pane profile consists of the basic profile (**A**) and the clip-on strip (**B**). Both profiles are required for proper functioning.
- ▶ Can be used under cleanroom conditions
- ▶ Checked for emission of volatile organic substances at room temperature, 50 °C and 120 °C, Report No. BO 9903-161

7



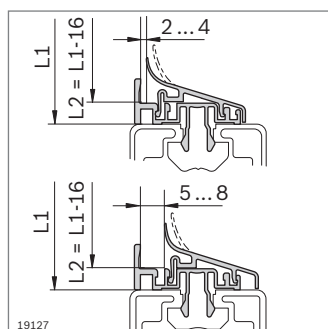
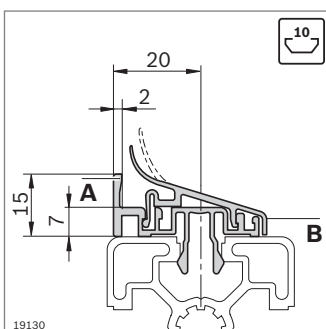
Protective pane profile	Slot	s (mm)	L (mm)	No.
<b>A</b> Basic profile	8	2 ... 6	2000	10 <b>3 842 524 025</b>
<b>B</b> Clip strip	8	2 ... 6	2000	10 <b>3 842 555 288</b>

Material: Basic profile: Aluminum; anodized  
Clip strip: PP/TPE; signal gray RAL 7004



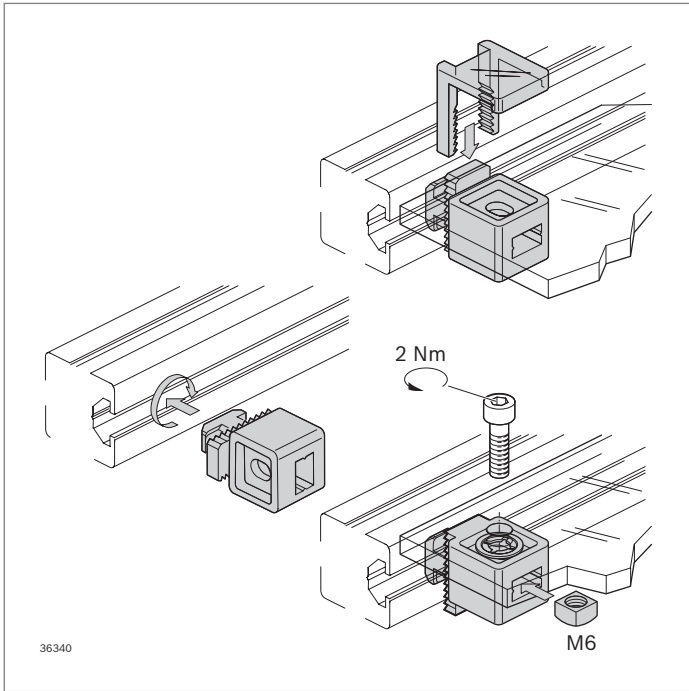
Protective pane profile	Slot	s (mm)	L (mm)	No.
<b>A</b> Basic profile	10	2 ... 8	2000	10 <b>3 842 529 761</b>
<b>B</b> Clip strip	10	2 ... 8	2000	10 <b>3 842 555 292</b>

Material: Basic profile: Aluminum; anodized  
Clip strip: PP/TPE; signal gray RAL 7004



Protective pane profile	Slot	s (mm)	L (mm)	No.
<b>A</b> Basic profile	10	2 ... 8	2000	10 <b>3 842 524 027</b>
<b>B</b> Clip strip	10	2 ... 8	2000	10 <b>3 842 555 290</b>

Material: Basic profile: Aluminum; anodized  
Clip strip: PP/TPE; signal gray RAL 7004



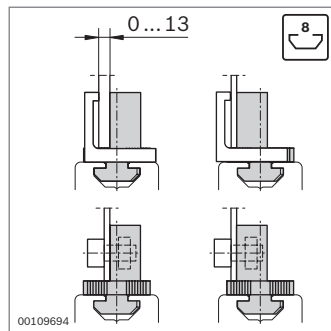
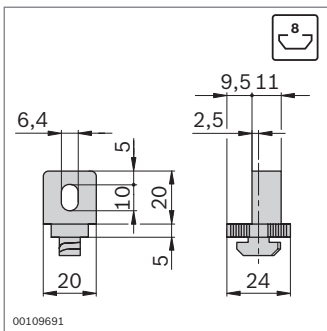
## Variofix block



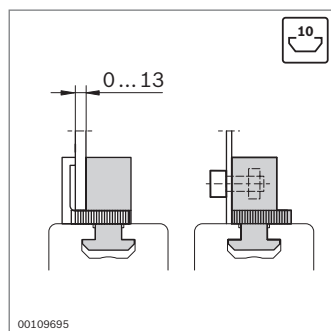
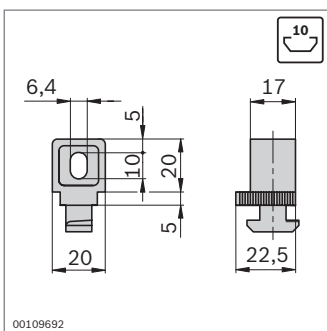
- ▶ For panel elements up to 13 mm thick
- ▶ For subsequent installation in closed frame constructions
- ▶ Asymmetrical form enables fastening of panel elements in two different positions
- ▶ Clamping via snap-in clip or screw fitting with square nut M6 (included in scope of delivery) and screw
- ▶ Retainer ring for connecting the screw to the panel element (Machinery Directive 2006/42/EC)

### Accessories:

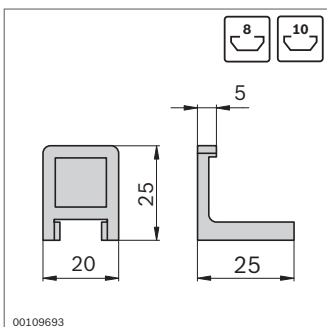
- ▶ Variofix remover (p. 14-6)
- ▶ Screw for fitting with square nut



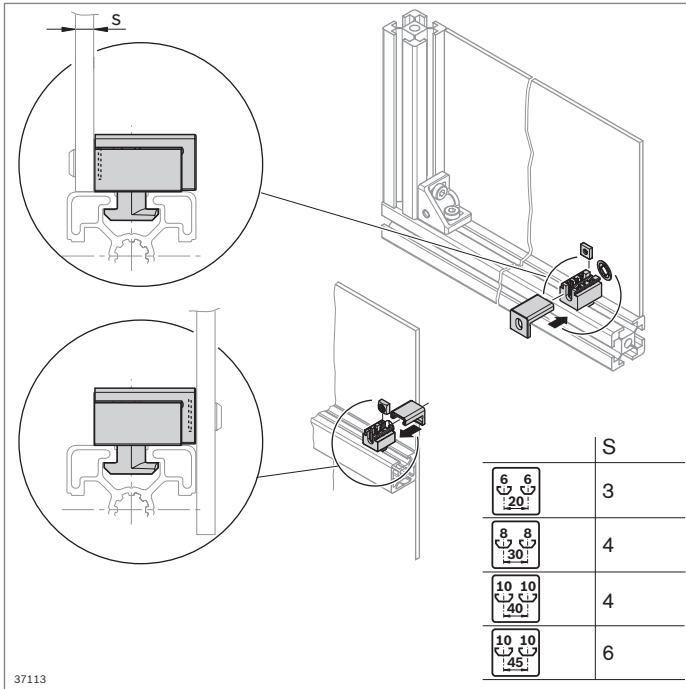
Variofix block	Slot	No.
	8	10 <b>3 842 548 832</b>
Material:	PP; signal gray RAL 7004 Square nut: Steel; galvanized	
Scope of delivery:	Incl. square nut	



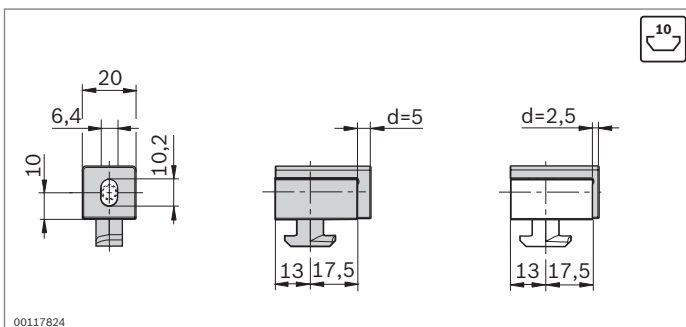
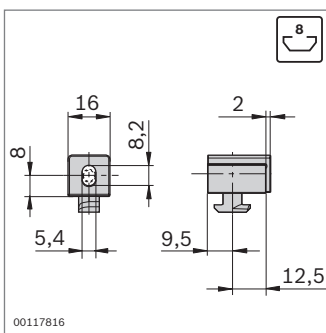
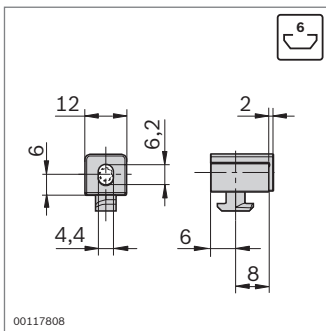
Variofix block	Slot	No.
	10	10 <b>3 842 548 834</b>
Material:	PP; signal gray RAL 7004 Square nut: Steel; galvanized	
Scope of delivery:	Incl. square nut M6, retainer ring M6	



Snap-in clip	No.
	10 <b>3 842 184 738</b>
Material:	PA; colorless



37113



### Variofix block S



- ▶ For virtually gap-free panel element mounting
- ▶ For subsequent installation in closed frame constructions
- ▶ The asymmetrical design and cover cap enable variable mounting positions for the panel elements: flush with the profile edge or situated in front of the profile
- ▶ Retainer ring for connecting the screw to the panel element (Machinery Directive 2006/42/EC)

Required accessories:

Screw for fastening the panel element

Variofix block S	Slot	No.
	6 10	3 842 548 836

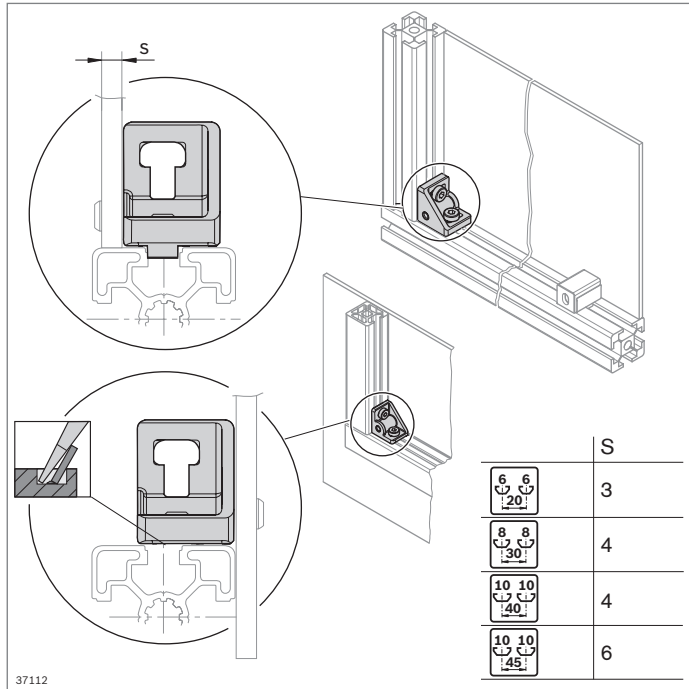
Material: PP; signal gray RAL 7004  
 Square nut: Steel; galvanized  
 Scope of delivery: Incl. square nut M4, cap

Variofix block S	Slot	No.
	8 10	3 842 548 838

Material: PP; signal gray RAL 7004  
 Square nut: Steel; galvanized  
 Scope of delivery: Incl. square nut M5, cap, retainer ring

Variofix block S	Slot	No.
	10 10	3 842 548 840

Material: PP; signal gray RAL 7004  
 Square nut: Steel; galvanized  
 Scope of delivery: Incl. square nut M5, 2 x cap (d = 2.5 mm; d = 5 mm), retainer ring



## Bracket S



- ▶ Bracket with thread for virtually gap-free mounting of panel elements
- ▶ For subsequent installation in closed frame constructions
- ▶ Panel elements can be mounted in different positions: flush with the profile edge or situated in front of the profile (by breaking off the centering lug)

Required accessories:

Screw for fastening the panel element

Optional accessories:

- ▶ Variofix block S (p. 7-7)
- ▶ Retainer ring (p. 7-9)

Bracket S	Slot	No.	FS
<b>20x20</b>	6	20	<b>3 842 536 489</b>
<b>20x20 set</b>	6	1	<b>3 842 536 670</b> 2xFS1

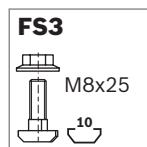
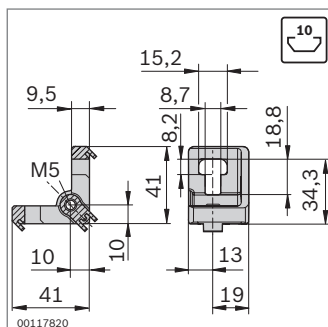
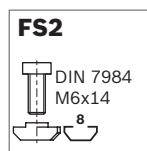
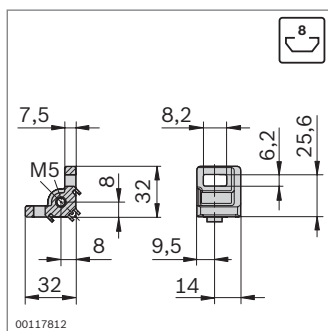
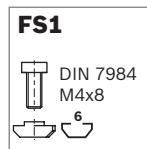
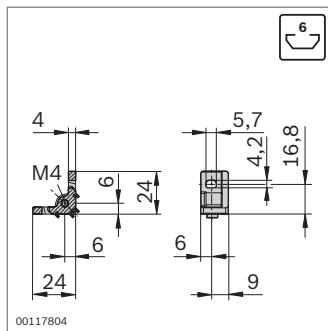
Material: Diecast aluminum  
 Fastening material: Steel; galvanized  
 Scope of delivery: Set incl. fastening material (FS)

Bracket S	Slot	No.	FS
<b>30x30</b>	8	20	<b>3 842 536 490</b>
<b>30x30 set</b>	8	1	<b>3 842 536 671</b> 2xFS2

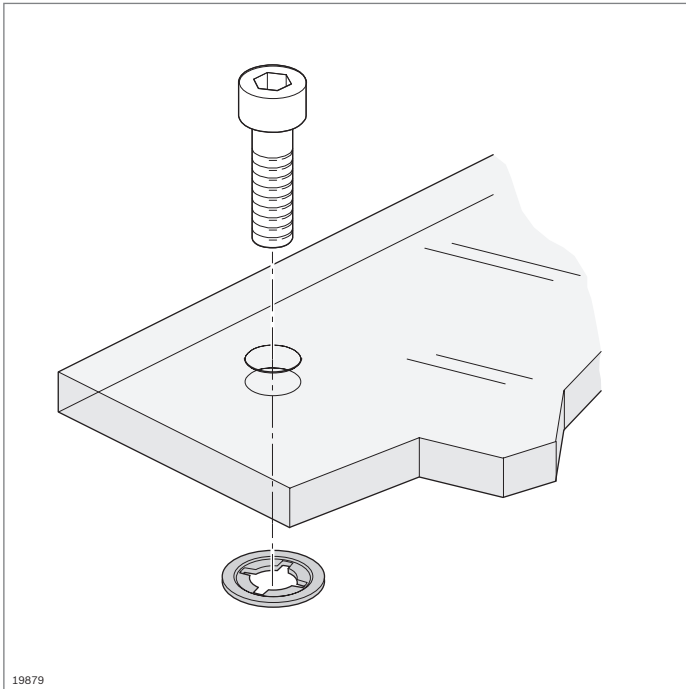
Material: Diecast aluminum  
 Fastening material: Steel; galvanized  
 Scope of delivery: Set incl. fastening material (FS)

Bracket S	Slot	No.	FS
<b>40/45</b>	10	20	<b>3 842 536 491</b>
<b>40/45 set</b>	10	1	<b>3 842 536 672</b> 2xFS3

Material: Diecast aluminum  
 Fastening material: Steel; galvanized  
 Scope of delivery: Set incl. fastening material (FS)

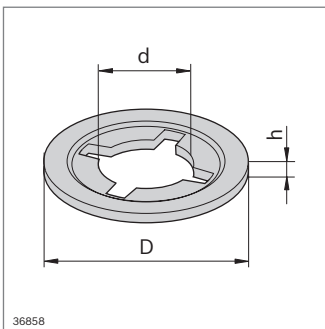







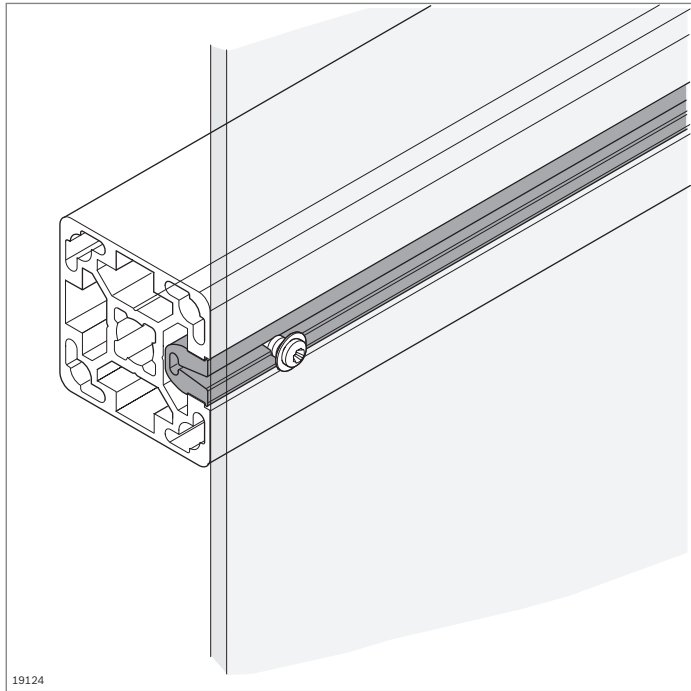
## Retainer ring

- ▶ Secures the fastening screw to the panel element
- ▶ For use with all Variofix blocks, but not for the S bracket
- ▶ Can be retrofitted
- ▶ For various thread sizes



Retainer ring	D (mm)	d (mm)	h (mm)	 No.
<b>M4</b>	9.0	3.4	1.0	100 <b>3 842 542 328</b>
<b>M5</b>	10.0	4.5	1.0	100 <b>3 842 542 329</b>
<b>M6</b>	12.5	5.5	1.5	100 <b>3 842 542 330</b>

Material: PA; black



### Screw bar profile

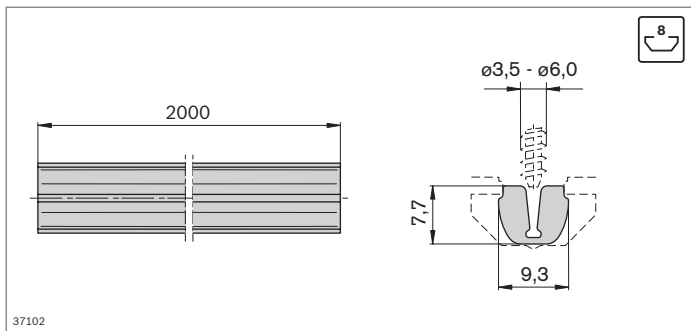


- ▶ Screw bar profile for fastening panel elements using commercially available sheet metal screws
- ▶ Clipping the screw bar profile into the profile slot
- ▶ Low-cost connection element

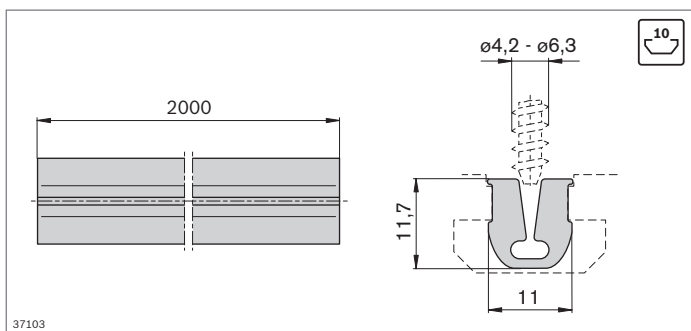
Required accessories:

Sheet metal screws for fastening panel elements

19124



37102



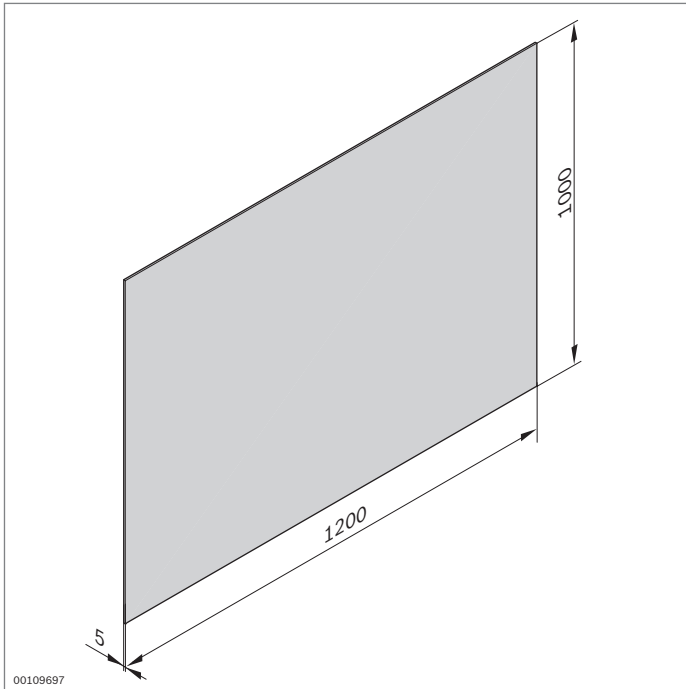
37103

Screw bar profile	Slot	L (mm)	No.
	8	2000	<b>3 842 555 550</b>

Material: PVC; signal gray RAL 7004

Screw bar profile	Slot	L (mm)	No.
	10	2000	<b>3 842 555 552</b>

Material: PVC; signal gray RAL 7004



## Universal plate



- For the construction of trays, material shuttles, or privacy shields on tables or frames

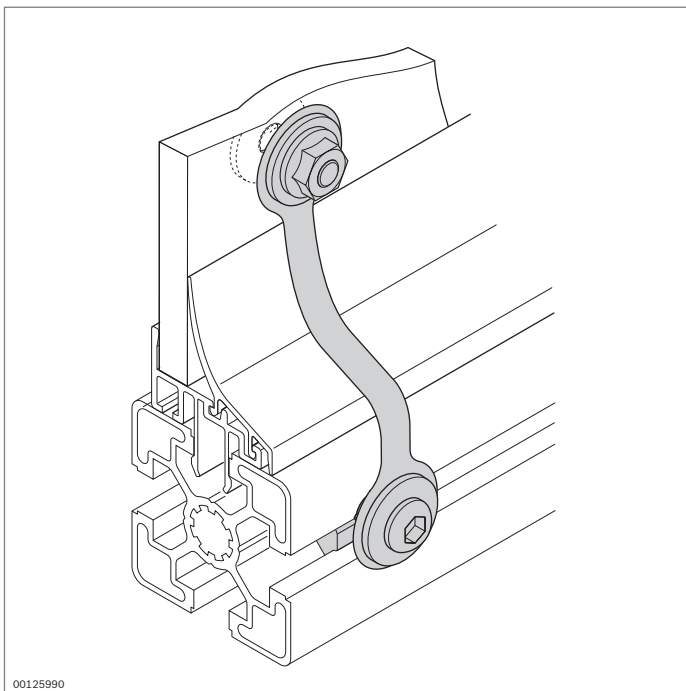
Accessories:

Frame profile, mounting of panel elements

Universal plate	ESD	No.
PP		3 842 516 837
SB		3 842 516 838

Material: PP: gray, smooth on one side, grained on the other  
 SB: black, smooth on both sides

7



## Potential equalizer

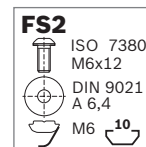
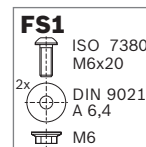


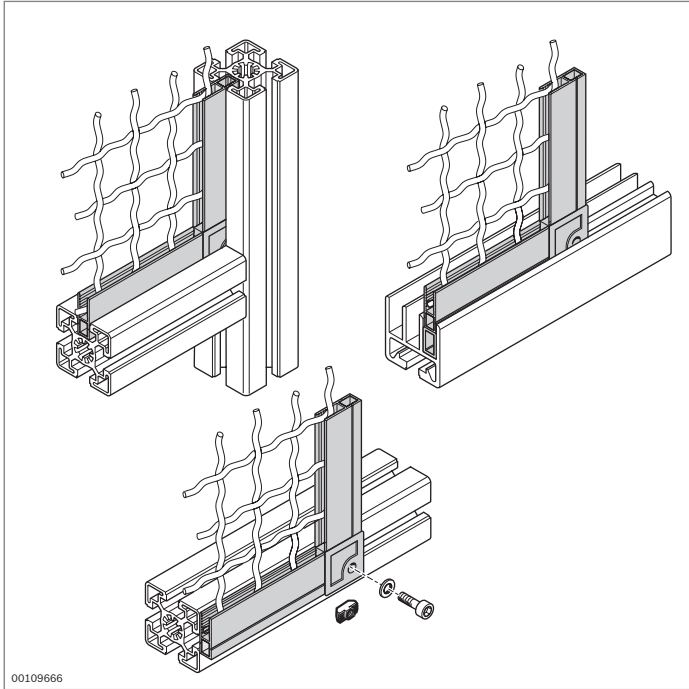
- Potential equalizer for creating electrostatic conduction between panel elements and strut profiles

Potential equalizer	ESD	No.	FS
		10 3 842 536 148	FS1, FS2

Material: Strip: Steel, stainless  
 Fastening material: Steel; galvanized

Scope of delivery: Incl. fastening material (FS)





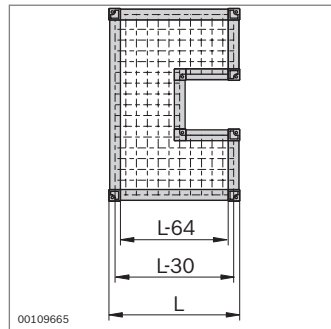
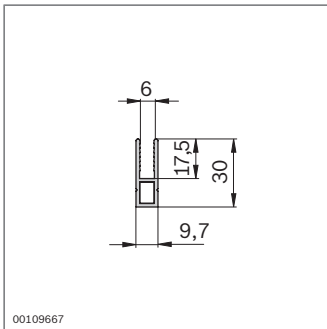
## Protective grille profile



- ▶ For constructing frames for woven wire grilles or panel elements
- ▶ For woven wire grilles with a wire diameter up to 3.1 mm
- ▶ For panel elements up to 6 mm thick
- ▶ Screw fitting of frame to the outside of strut profiles (subsequent installation)
- ▶ Insertion of frame into the slot of a strut profile or a sliding door profile Al 45
- ▶ Corner pieces for inner and outer corners

Optional accessories:

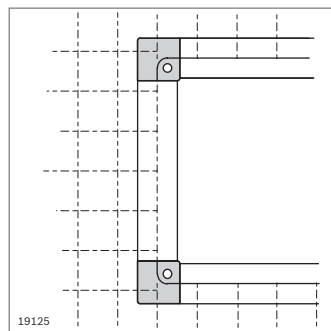
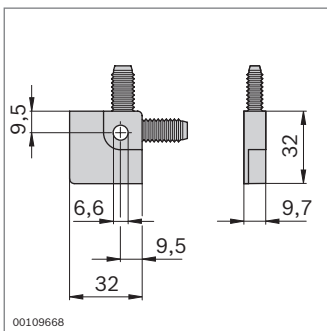
- ▶ T-nut M6 (p. 3-4)
- ▶ Screw M6



Protective grille profile	L (mm)	No.
	3000 <sup>1)</sup>	20 <b>3 842 305 766</b>

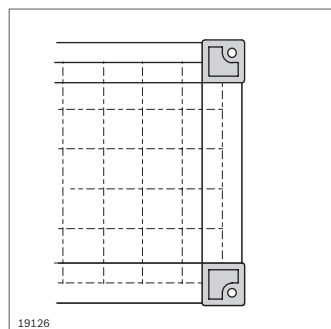
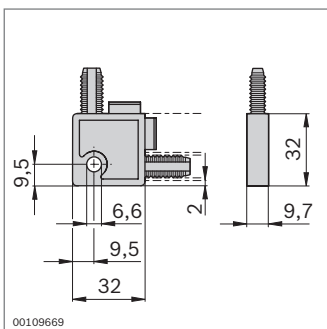
<sup>1)</sup> Due to the (anodic oxidation) contact points produced in the manufacturing process, supplied in profile length of 3100 mm

Material: Aluminum, black anodized



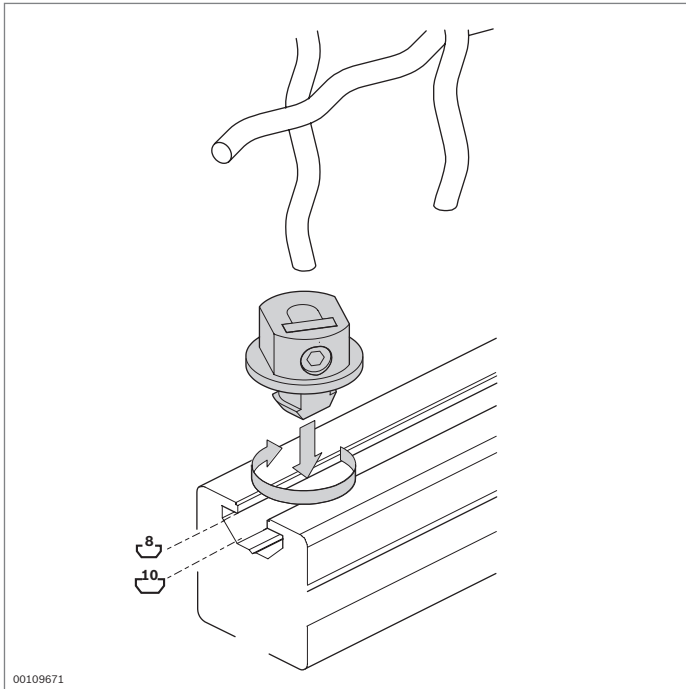
Inner corner piece	No.
	20 <b>3 842 305 768</b>

Material: PA; black



Outer corner piece	No.
	20 <b>3 842 305 767</b>

Material: PA; black

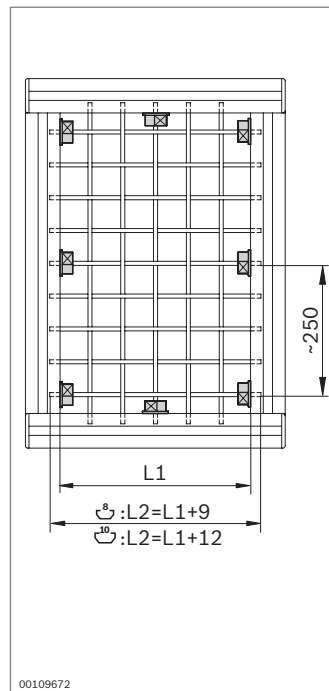
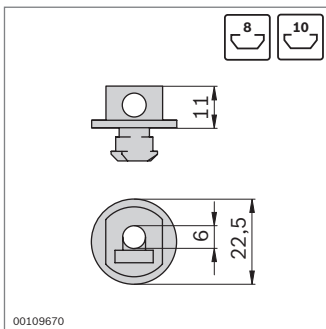


## Clamp bushing



- ▶ For fastening woven wire grilles in the profile slot
- ▶ For woven wire grilles with a wire diameter up to 3.1 mm
- ▶ Suitable for 8 mm and 10 mm slots
- ▶ Low-cost connection element
- ▶ Rattle-free mounting

7



Clamp bushing	Slot	No.	FS
	8, 10	100	<b>3 842 515 244</b> FS1

Material: Diecast zinc  
Fastening material: Steel; galvanized

