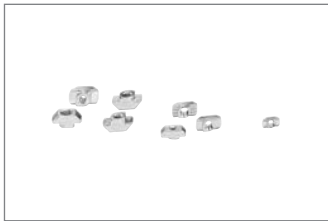


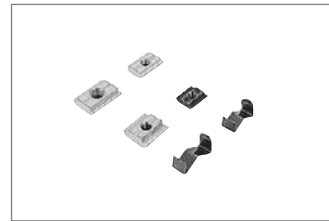
Connection elements



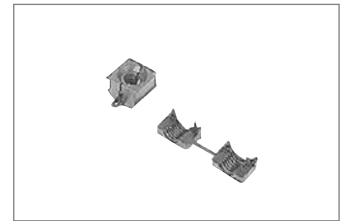
T-nut (p. 3-4)
Collar screw (p. 3-5)



Flange nut, T-bolt (p. 3-6)



Sliding block (p. 3-7)



Expanding nut (p. 3-10)



Parallel connector (p. 3-11)



Tensioning connector
(p. 3-12)



Slot connector (p. 3-13)



Inner bracket (p. 3-14)
Inner bracket R (p. 3-15)



Miter bracket (p. 3-17)



Bracket (p. 3-18)



Bracket R (p. 3-30)



Steel bracket (p. 3-32)



Metal bracket, supporting
bracket (p. 3-33)



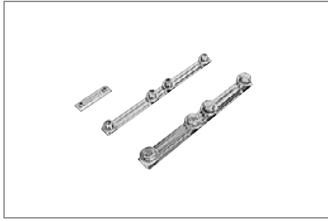
Foundation bracket
(p. 3-34)



Holder (p. 3-35)



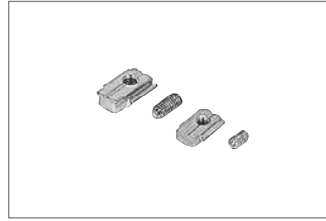
Supporting bracket
(p. 3-37)



Profile connector (p. 3-39)



Central bolt (p. 3-41)



Anti-torsion element
(p. 3-42)



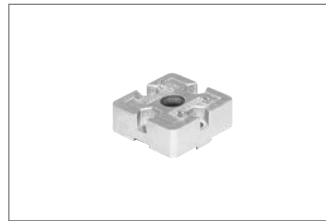
Cubic connector (p. 3-43)



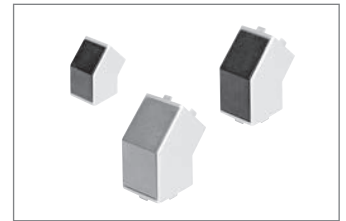
Corner bracket (p. 3-47)



End connector (p. 3-49)



T-connector (p. 3-51)



Connector 45° (p. 3-53)



Quick connector (p. 3-54)



Quick connector, bendable
(p. 3-57)



Longitudinal end connector
(p. 3-59)



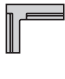

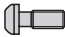
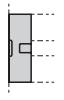

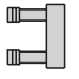
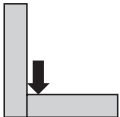








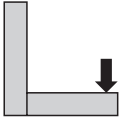








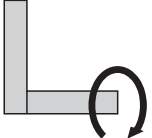










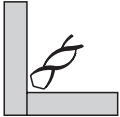











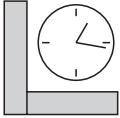








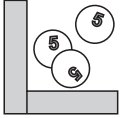








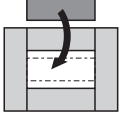








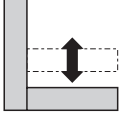








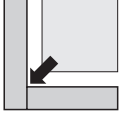








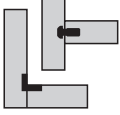










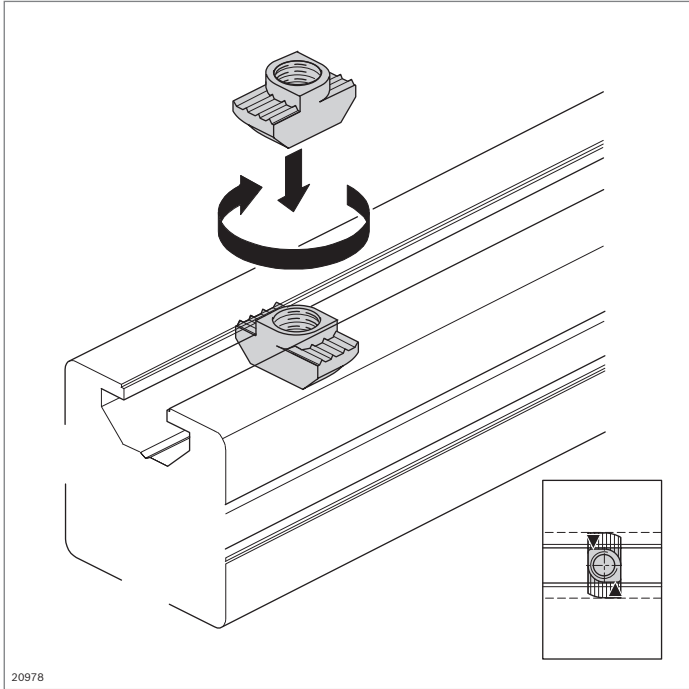
Bolt connector (p. 3-60)



QV mounting kit (p. 3-62)

Connection elements, selection criteria

									
		Tensioning connector	Slot connector	Inner bracket	Bracket	Central bolt	T-connector	Quick connector	Bolt connector
	High feed force								
	High moment								
	High torsional moment		 						 
	Minimal finishing					 		 	 
	Minimal assembly								
	Low parts costs								
	Subsequent mounting in closed frame								
	Adjustment possible								
	Mounting of panel elements								
	Internal connection (concealable)								



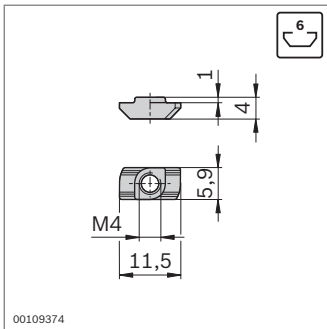
T-nut

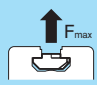





- ▶ Standard element for a secure and conductive connection
- ▶ End stop for correct positioning in the profile slot
- ▶ Stainless steel T-nut, e.g. for outdoor or cleanroom applications
- ▶ Profile finishing: Not required

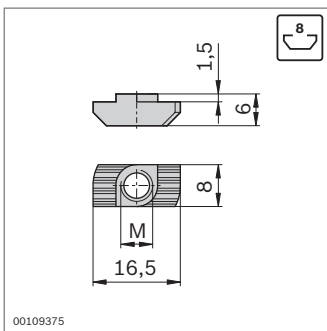
Technical data (p. 18-15)

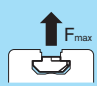
Accessories:
Insulating cap (p. 3-5)










Slot	
6	1700 N

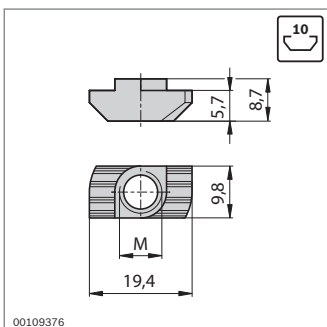
T-nut, 6 mm slot	Slot	M	ESD		No.
Steel; galvanized	6	M4		100	3 842 523 135
Stainless steel	6	M4		100	3 842 536 599

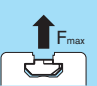


Slot	
8 (M6)	4000 N










T-nut, 8 mm slot	Slot	M	ESD		No.
Steel; galvanized	8	M4		100	3 842 501 751
		M5*		100	3 842 501 752
		M6*		100	3 842 501 753
Stainless steel	8	M4		100	3 842 536 600
		M5		100	3 842 536 601
		M6		100	3 842 536 602

* Suitable for standard screws. **Attention:** T-nuts have driving torque for safe turning in the base of the slot.

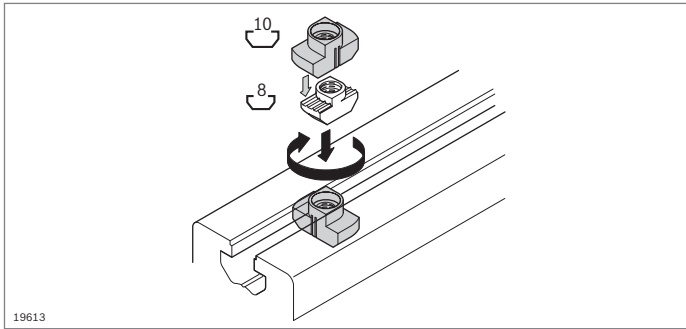


Slot	
10 (M8)	6000 ... 18000 N ¹⁾

¹⁾ Depending on profile (p. 19-5)

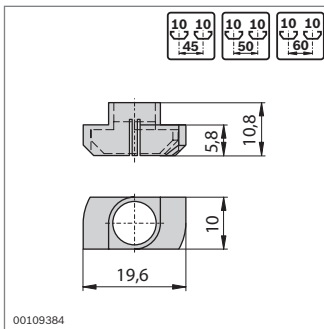
T-nut, 10 mm slot	Slot	M	ESD		No.
Steel; galvanized	10	M4		100	3 842 530 281
		M5*		100	3 842 530 283
		M6*		100	3 842 530 285
		M8*		100	3 842 530 287
Stainless steel	10	M4		100	3 842 536 606
		M5		100	3 842 536 605
		M6		100	3 842 536 604
		M8		100	3 842 536 603

* Suitable for standard screws. **Attention:** T-nuts have driving torque for safe turning in the base of the slot.



19613

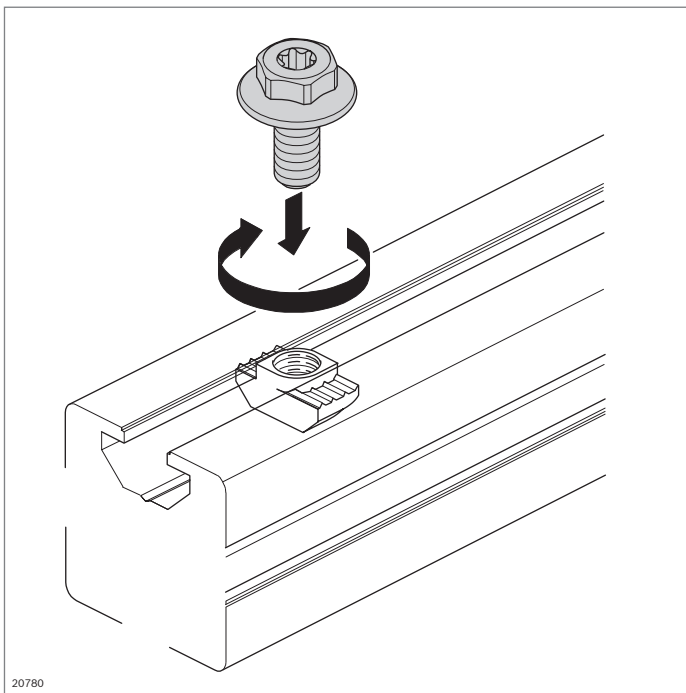
- ▶ Insulating cap for decoupling directly grounded components; for use with T-nuts for 8 mm slots in a 10 mm slot



00109384

Insulating cap for T-nut, 8 mm slot	Slot		No.
	10	10	3 842 524 012

Material: PA; high-strength, black



20780

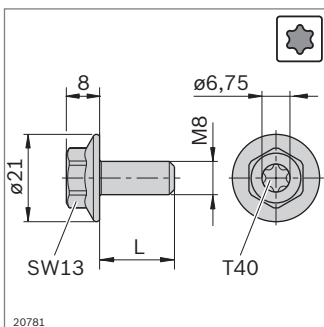
Collar screw



- ▶ Collar screw with multi-function head for tightening with ring/open-end wrench (WS 13) or Torx screwdriver (T40)
- ▶ Machine tightening possible
- ▶ Preferably to be used for fastening brackets
- ▶ Quick and simple assembly
- ▶ Excellent force transmission via the wide flange
- ▶ ESD-capable
- ▶ With Polyfleck to secure the T-nut

Tools:
Offset screwdriver (p. 14-5)

Accessories:
T-nut (p. 3-4)

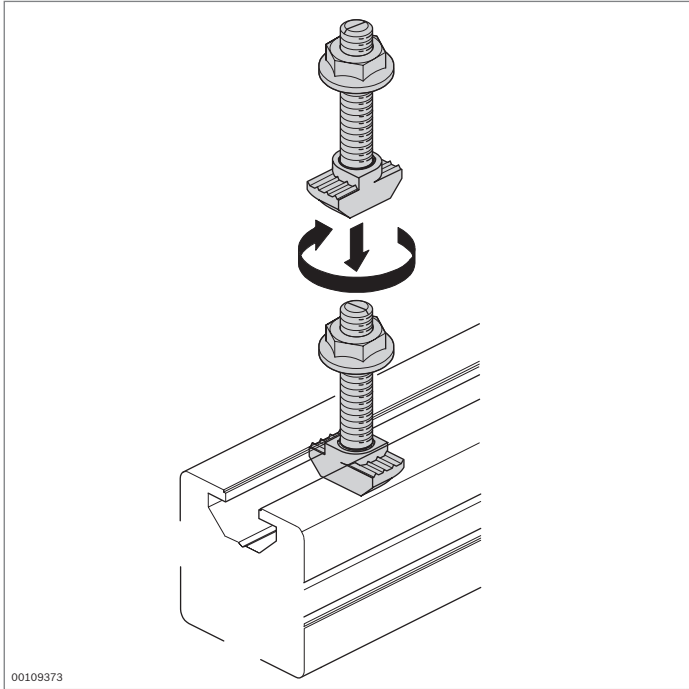


20781

Collar screw	M	L (mm)	ESD		No.
M8x18-SW13-T40¹⁾	M8	18		100	3 842 541 246
M8x20-SW13-T40²⁾	M8	20		100	3 842 541 409

¹⁾ For 40/40 and 60/60 brackets
²⁾ For all other brackets for 10 mm slot

Material: Steel; galvanized

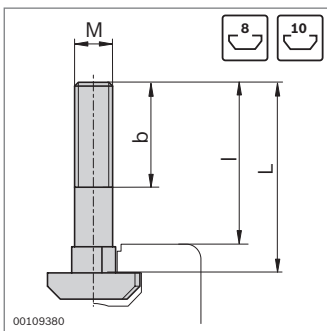
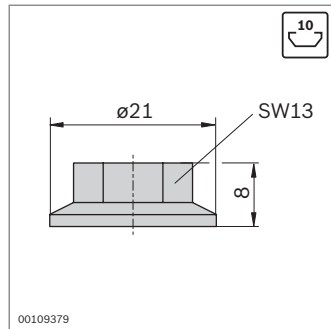
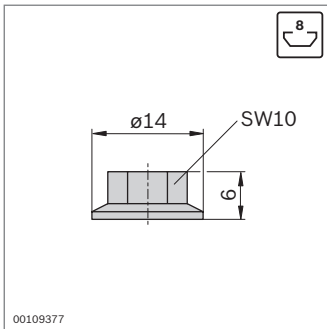


Flange nut T-bolt



- ▶ Secure and conductive connection
- ▶ Notch at bolt end as marker for correct position recognition
- ▶ Profile finishing: Not required

Technical data (p. 18-15)



Slot	
8	4000 N
10	6000 ... 18000 N ¹⁾

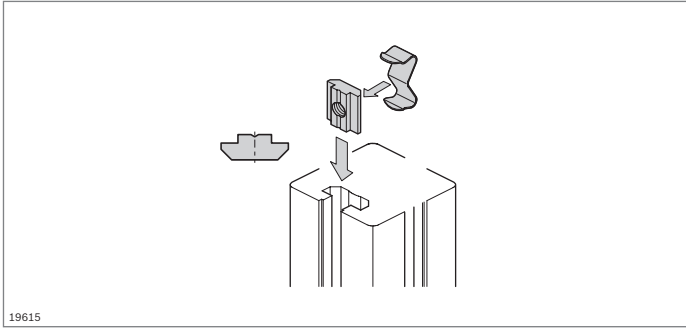
¹⁾ Depending on profile (p. 18-15)

Flange nut	Slot	M	ESD	No.
	8	M6		100 3 842 523 925
	10	M8		100 3 842 345 081

Material: Steel; galvanized

T-bolt	Slot	MxL	b (mm)	l (mm)	ESD	No.
	8	M6x16	10	14		100 3 842 523 920
		M6x20	14	18		100 3 842 523 921
		M6x25	18	23		100 3 842 523 922
	10	M8x20	14	14		100 3 842 528 715
		M8x25	19	19		100 3 842 528 718
		M8x30	24	24		100 3 842 528 721
		M8x40	22	34		100 3 842 528 724
		M8x50	22	44		100 3 842 528 727
	M8x60	22	54		100 3 842 528 730	

Material: Steel; galvanized



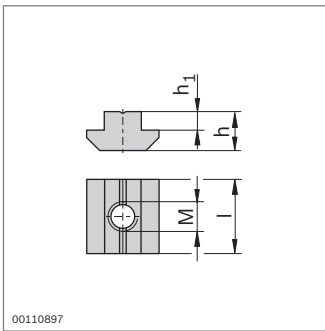
19615

Sliding block, sliding block profile



- ▶ Sliding block for reliable absorption of high forces
- ▶ Sliding block profile for self-assembly of individual fastening elements
- ▶ Profile finishing: Not required
- ▶ The spring assists with the assembly and positioning of the sliding block and swivel-in sliding block (p. 3-8)

Technical data (p. 18-15)



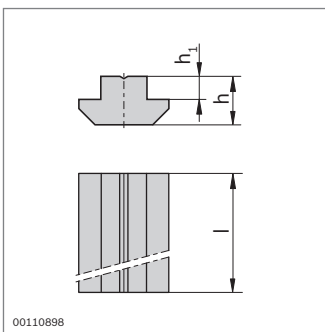
00110897

Slot	
6 (M5)	3000 N
8 (M8)	6000 N
10 (M8)	8000 ... 24000 N ¹⁾

¹⁾ Depending on profile (p. 18-15)

Sliding block	Slot M	h (mm)	h ₁ (mm)	l ESD (mm)		No.		
Steel; galvanized	6	M4	4.0	1.0	12		100 3 842 542 692	
		M5	4.0	1.0	12		100 3 842 542 693	
	8	M4	6.0	2.0	16	100	3 842 514 928	
		M5	6.0	2.0	16	100	3 842 514 929	
		M6	6.0	2.0	16	100	3 842 514 930	
	10	M8	6.0	2.0	16	100	3 842 514 931	
		M5	10.5	5.0	20	100	3 842 528 741	
		M6	10.5	5.0	20	100	3 842 528 738	
	Steel; stainless	6	M4	4.0	1.0	12		100 3 842 523 140
			M5	4.0	1.0	12		100 3 842 523 142
		8	M4	6.0	2.0	16		100 3 842 547 817
			M5	6.0	2.0	16		100 3 842 547 816
M6			6.0	2.0	16		100 3 842 547 815	
10		M8	6.0	2.0	16		100 3 842 547 814	
		M5	10.5	5.0	20		100 3 842 547 813	
		M6	10.5	5.0	20		100 3 842 547 812	
		M8	10.5	5.0	20		100 3 842 547 811	

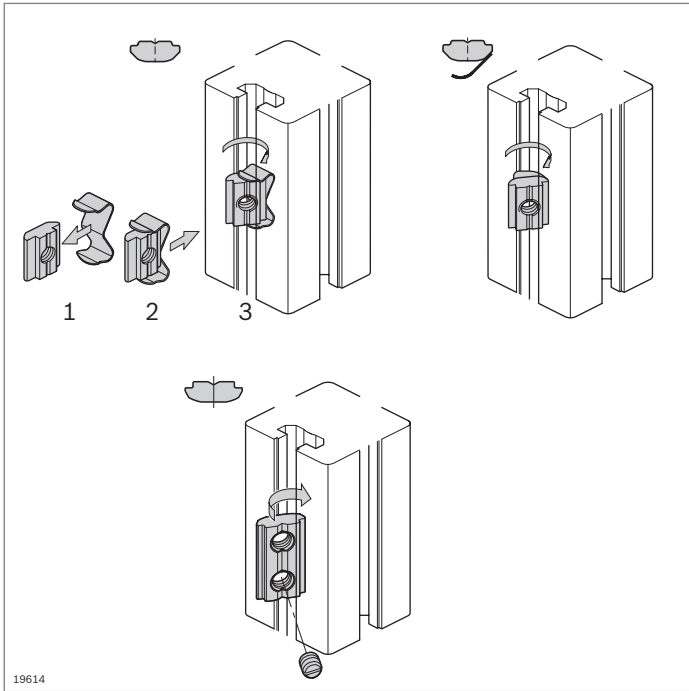
Accessories: Spring (p. 3-9)



00110898

Sliding block profile	Slot	h (mm)	h ₁ (mm)	l (mm)	No.
Steel; galvanized	6	4.0	1.0	1000	3 842 542 694
	8	6.0	2.0	1000	3 842 510 078
	10	10.5	5.0	1000	3 842 528 744
Steel; stainless	6	4.0	1.0	1000	3 842 523 438

Accessories: Spring (p. 3-9)

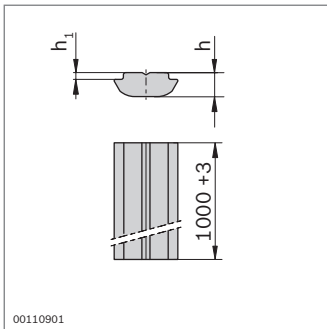


Swivel-in sliding block
Swivel-in sliding block profile
Spring



- ▶ Swivel-in sliding block profile for self-assembly of individual fastening elements
- ▶ The swivel-in sliding block can be inserted directly at the assembly point for easy assembly
- ▶ The swivel-in sliding block with spring can be inserted directly at the assembly point and fixed in position thanks to attached springs
- ▶ Swivel-in sliding block with headless setscrews for shake-proof fixing in all positions
- ▶ Profile finishing: Not required

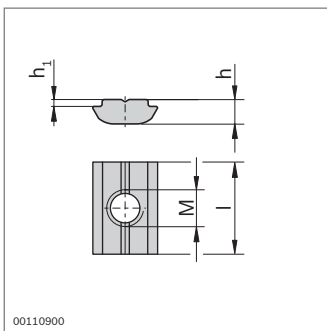
Technical data (p. 18-15)



Slot	
8 (M8)	2200 N
10 (M8)	8000 ... 18000 N ¹⁾

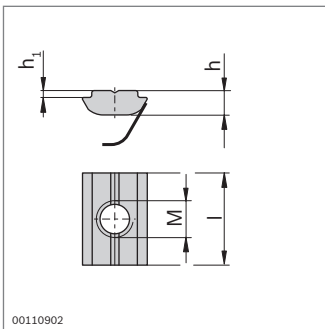
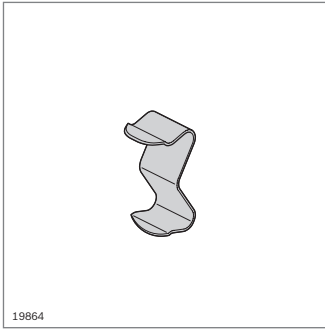
¹⁾ Depending on profile (p. 18-15)

Swivel-in sliding block profile	Slot	h (mm)	h ₁ (mm)	l (mm)	No.
Steel; galvanized	8	4.8	1.0	1000	3 842 529 327
	10	5.3	1.5	1000	3 842 529 325



Swivel-in sliding block	Slot	M	h (mm)	h ₁ (mm)	l (mm)	ESD	No.
Steel; galvanized	8	M5	4.8	1.0	16	100	3 842 529 319
		M6	4.8	1.0	16	100	3 842 529 320
		M8	4.8	1.0	16	100	3 842 529 321
	10	M6	5.3	1.5	20	100	3 842 529 323
		M8	5.3	1.5	20	100	3 842 529 324
		Steel; stainless	6	M3	3.0	0.9	12
M4	3.0		0.9	12	100	3 842 536 669	
M5	3.0		0.9	12	100	3 842 547 825	
8	M6	4.8	1.0	16	100	3 842 530 321	
	10	M8	5.3	1.5	20	100	3 842 530 316

Accessories: spring (p. 3-9)



Slot	F_{max}
8 (M8)	2200 N
10 (M8)	8000 ... 18000 N ¹⁾

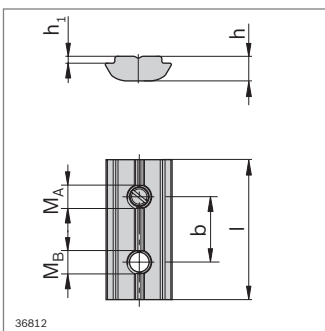
¹⁾ Depending on profile (p. 18-15)

- The spring assists with the assembly and positioning of the sliding block and swivel-in sliding block

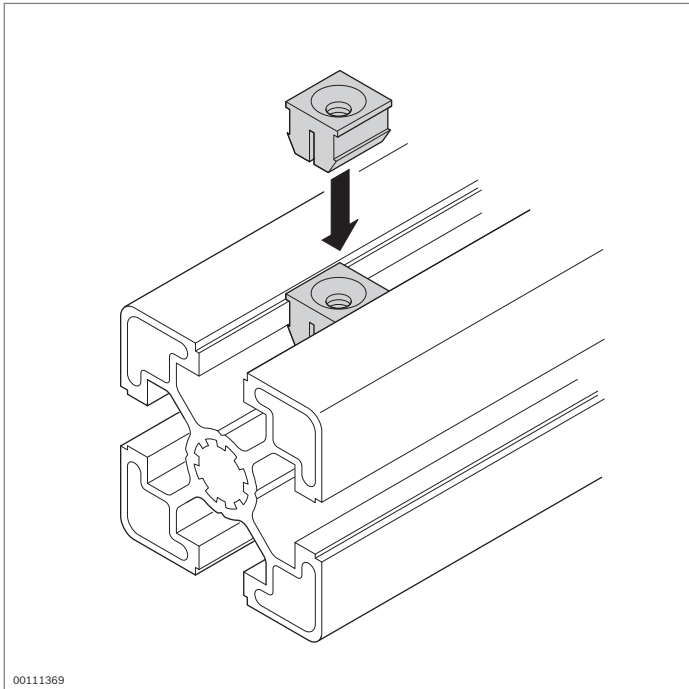
Spring	Slot		No.
Spring steel; stainless	6	100	3 842 523 145
	8	100	3 842 516 685
	10	100	3 842 516 669

Swivel-in sliding block with spring	Slot	M	h (mm)	h ₁ (mm)	l (mm)	ESD	No.
Steel; galvanized	8	M4	4.8	1.0	16		100 3 842 529 294
		M5	4.8	1.0	16		100 3 842 529 295
		M6	4.8	1.0	16		100 3 842 529 296
		M8	4.8	1.0	16		100 3 842 529 297
	10	M4	5.3	1.5	20		100 3 842 541 393
		M5	5.3	1.5	20		100 3 842 529 298
		M6	5.3	1.5	20		100 3 842 529 299
		M8	5.3	1.5	20		100 3 842 529 300
Steel; stainless	8	M4	4.8	1.0	16		100 3 842 547 824
		M5	4.8	1.0	16		100 3 842 547 823
		M6	4.8	1.0	16		100 3 842 547 822
		M8	4.8	1.0	16		100 3 842 547 821
	10	M5	5.3	1.5	20		100 3 842 547 808
		M6	5.3	1.5	20		100 3 842 547 807
		M8	5.3	1.5	20		100 3 842 547 806

Material: Spring: Spring steel; stainless



Swivel-in sliding block, with Headless setscrew (M _A)	Slot	M _A ; M _B	b (mm)	h (mm)	h ₁ (mm)	l (mm)	ESD	No.
Steel; stainless	6	M4; M4	8	3.0	0.9	15	100	3 842 536 673
Steel; galvanized	8	M5; M4	12	4.8	1.0	24	100	3 842 557 259
		M5; M5	12	4.8	1.0	24	100	3 842 536 675
		M5; M6	12	4.8	1.0	24	100	3 842 557 260
	10	M5; M5	14	5.3	1.5	30	100	3 842 536 676
		M5; M6	14	5.3	1.5	30	100	3 842 557 261
		M5; M8	14	5.3	1.5	30	100	3 842 557 262



00111369

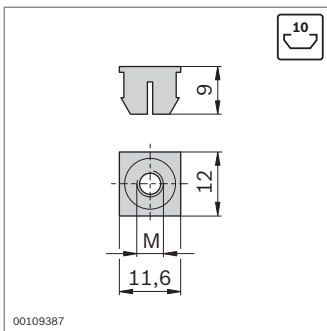
Expanding nut



- ▶ For attaching light accessories such as cable ties or rings
- ▶ Easy assembly by clipping into the profile slot
- ▶ Profile finishing: Not required

Required accessories:

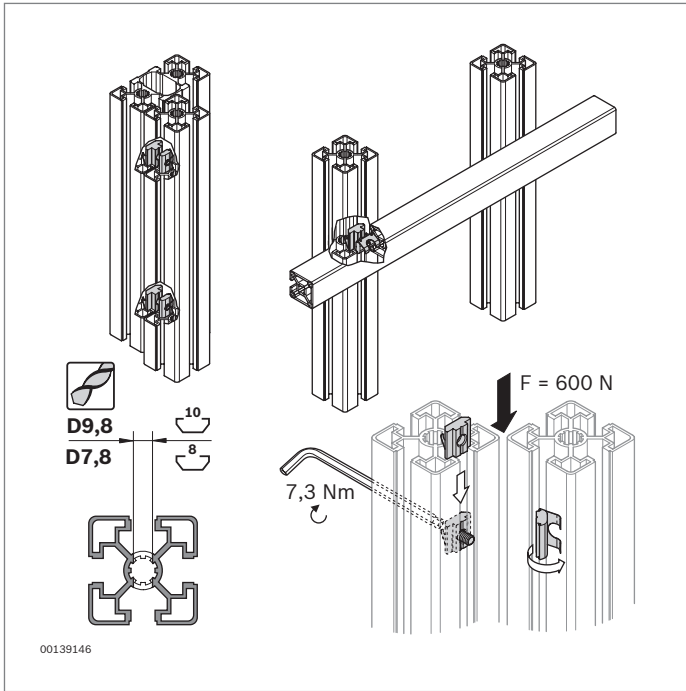
Countersunk screw



00109387

Expanding nut	Slot	M	No.
	10	M4	100 3 842 554 774
		M5	100 3 842 554 776
		M6	100 3 842 554 778

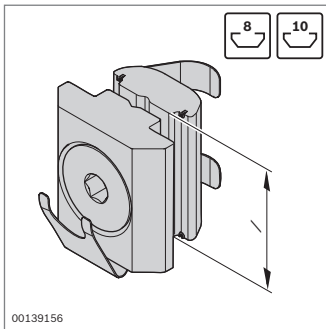
Material: PA; signal gray similar to RAL 7004



Parallel connector



- ▶ For a gap-free connection between two strut profiles, parallel to the axis or at any angle
- ▶ Parallel connector consisting of two sliding blocks with welded springs for simple assembly
- ▶ Attractive-looking interior connection, e.g. for material shelves
- ▶ Connection possible in any position
- ▶ Transferable displacement force per parallel connector: 600 N
- ▶ Profile finishing: Through-hole

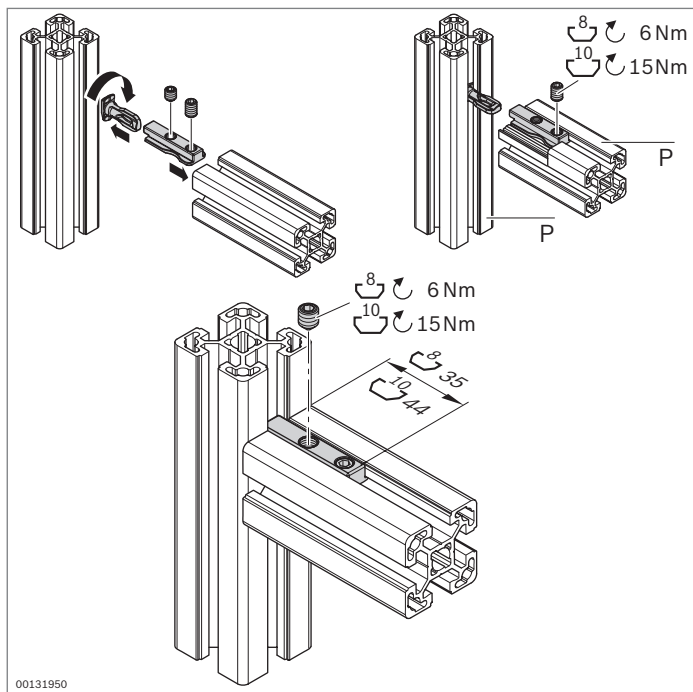


Slot	F_{max}
8	600 N
10	600 N

Parallel connector	Slot I (mm)	No.
	8 16 10	3 842 542 737
	10 20 10	3 842 542 736

Material: Sliding block: Steel; galvanized
 Spring: Spring steel; stainless

Scope of delivery: Sliding block with spring, swivel-in sliding block with spring, countersunk screw M5



Tensioning connector



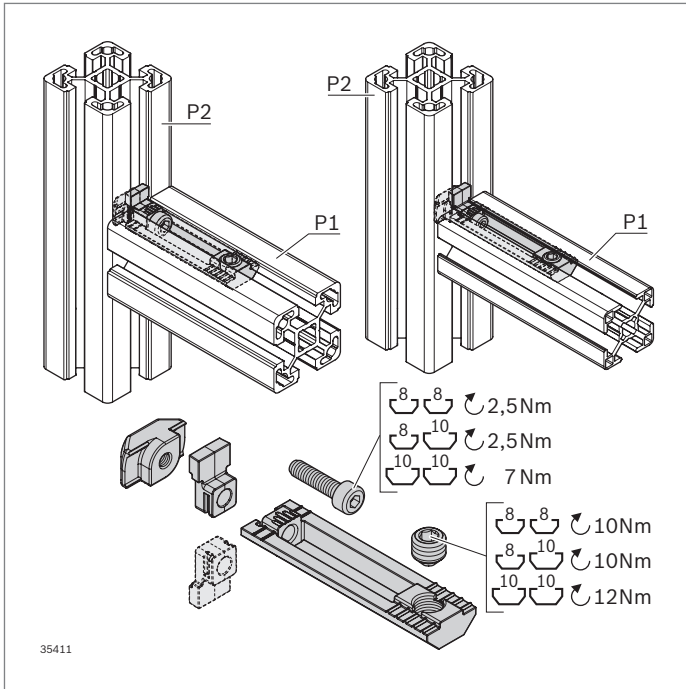
- ▶ Tensioning connector for fast assembly
- ▶ The connector can be moved within the slot
- ▶ Easily accessible screws
- ▶ Three slots are left free for mounting of panel elements
- ▶ Profile finishing: Not required

Technical data (p. 18-18)

P			
30x...	1000 N	35 Nm	15 Nm
45x...L	3500 N	110 Nm	30 Nm
40x..., 45x..., 50x..., 90x...	3500 N	110 Nm	30 Nm
60x...	3500 N	195 Nm	60 Nm

Tensioning connector	Slot	P	ESD	No.
8	8	30x...		10 3 842 538 489
10L	10	45x...L 45x90SL 90x90SL		10 3 842 538 491
10	10	40x...L, 45x..., 50x...L, 60x..., 60x...L 80x...L 90x..., 90x...L, 45x90x90L		10 3 842 538 490

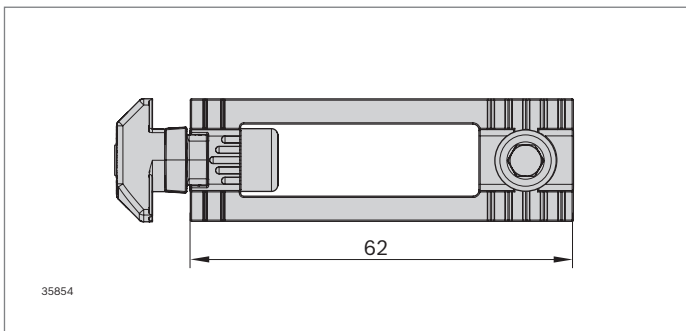
Material: Steel; galvanized



Slot connector



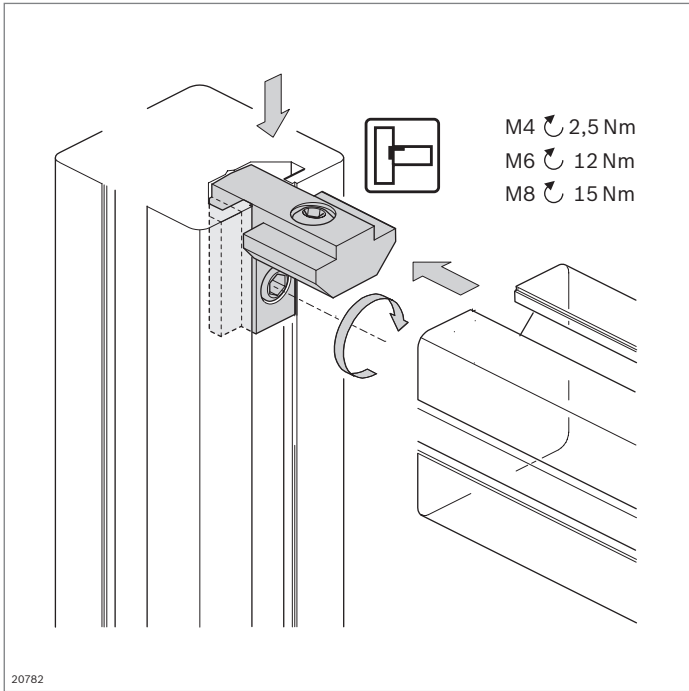
- ▶ Slot connector for fast assembly
- ▶ The connector can be moved within the slot
- ▶ Easily accessible screws
- ▶ Anti-torsion element can be removed if necessary, variable alignment (slot 10/10; 8/10)
- ▶ Headless setscrew, preassembled
- ▶ Profile finishing: Not required



Slot connector	P1	P2	ESD	No.
8/8	8	8		3 842 558 566
8/10	8	10		3 842 558 567
10/10	10	10		3 842 558 568

Material: Slot connector: Steel; galvanized
Anti-torsion element: PA6

Slot			
8 / 8	1000 N	35 Nm	15 Nm
8 / 10	1000 N	35 Nm	15 Nm
10 / 10	3000 N	110 Nm	30 Nm

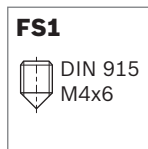
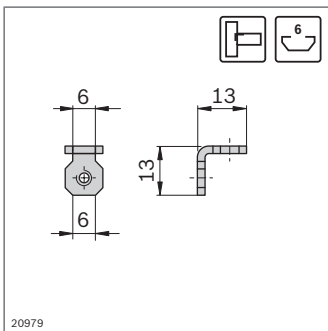


Inner bracket



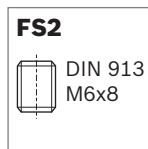
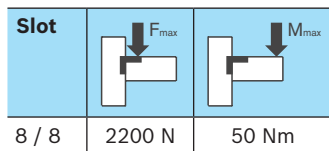
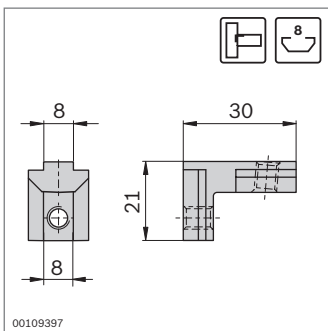
- ▶ For elegant, easy-to-assemble profile connections
- ▶ Especially suitable for constructing door frames, protective grilles, or partition walls
- ▶ The inner bracket, 6 mm slot, can also be used as an inner bracket R, 6 mm slot
- ▶ Profile finishing: Not required

Technical data (p. 18-18)



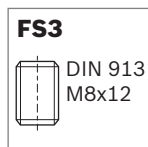
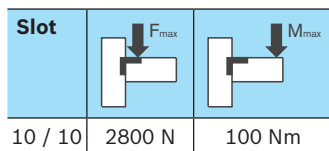
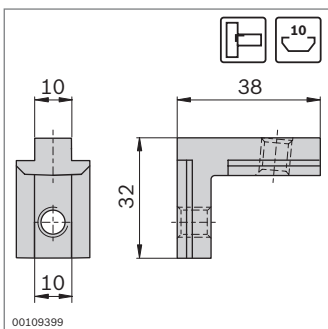
Inner bracket	Slot	ESD	No.	FS
	6 / 6		10	3 842 535 574 2xFS1

Material: Sheet steel; galvanized
Fastening material: Steel; galvanized
Scope of delivery: Incl. fastening material (FS)



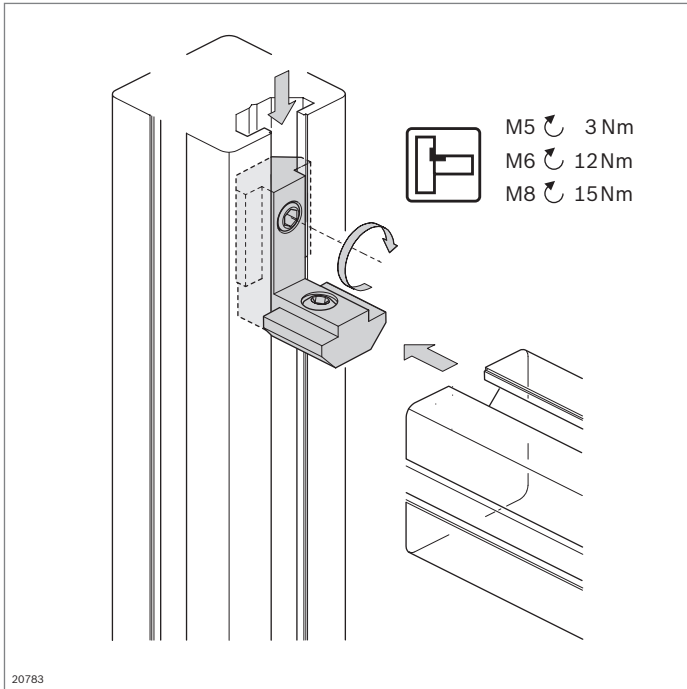
Inner bracket	Slot	ESD	No.	FS
	8 / 8		10	3 842 535 578 2xFS2

Material: Cast steel; galvanized
Fastening material: Steel; galvanized
Scope of delivery: Incl. fastening material (FS)



Inner bracket	Slot	ESD	No.	FS
	10 / 10		10	3 842 535 572 2xFS3

Material: Cast steel; galvanized
Fastening material: Steel; galvanized
Scope of delivery: Incl. fastening material (FS)

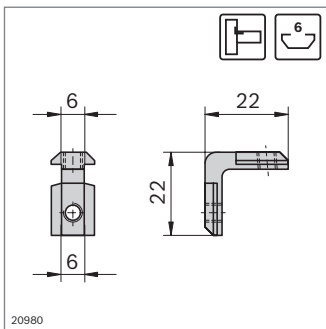


Inner bracket R



- ▶ For elegant, easy-to-assemble profile connections
- ▶ Especially suitable for constructing door frames, protective grilles, or partition walls
- ▶ Profile finishing: Not required

Technical data (p. 18-18)



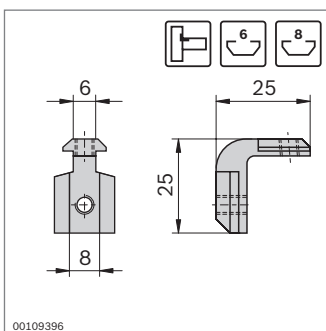
Slot	F_{max}	M_{max}
6 / 6	600 N	10 Nm

FS1

DIN 913
M5x5

Inner bracket R	Slot	ESD	No.	FS
	6 / 6		10 3 842 535 575	2xFS1

Material: Cast steel; galvanized
Fastening material: Steel; galvanized
Scope of delivery: Incl. fastening material (FS)



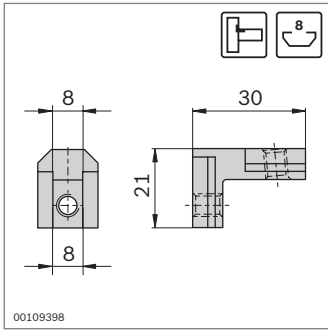
Slot	F_{max}	M_{max}
6 / 8	600 N	10 Nm

FS1

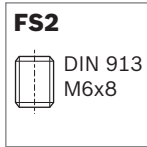
DIN 913
M5x5

Inner bracket R	Slot	ESD	No.	FS
	6 / 8		10 3 842 535 573	2xFS1

Material: Cast steel; galvanized
Fastening material: Steel; galvanized
Scope of delivery: Incl. fastening material (FS)

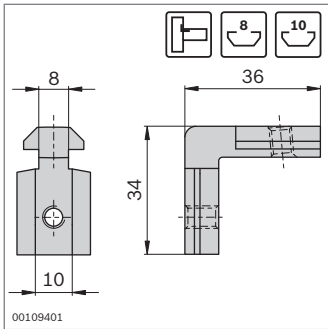


Slot	F_{max}	M_{max}
8 / 8	2500 N	50 Nm

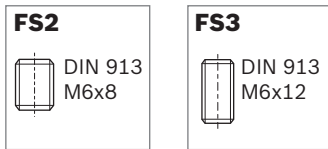


Inner bracket R	Slot	ESD	No.	FS
	8 / 8		10 3 842 535 577	2xFS2

Material: Cast steel; galvanized
Fastening material: Steel; galvanized
Scope of delivery: Incl. fastening material (FS)

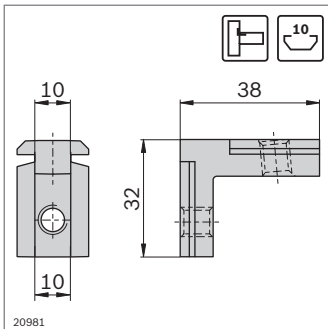


Slot	F_{max}	M_{max}
8 / 10	2500 N	50 Nm

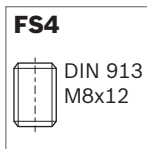


Inner bracket R	Slot	ESD	No.	FS
	8 / 10		10 3 842 535 576	FS2, FS3

Material: Cast steel; galvanized
Fastening material: Steel; galvanized
Scope of delivery: Incl. fastening material (FS)

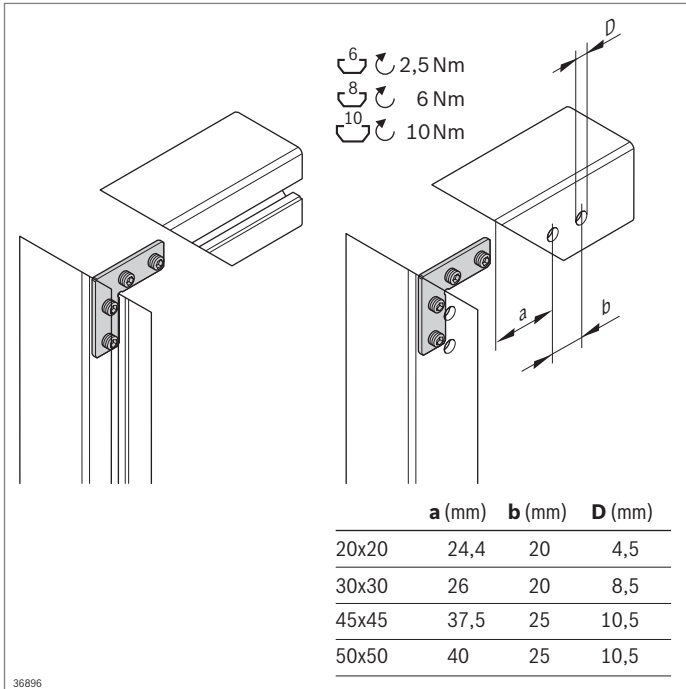


Slot	F_{max}	M_{max}
10 / 10	3000 N	100 Nm



Inner bracket R	Slot	ESD	No.	FS
	10 / 10		10 3 842 535 571	2xFS4

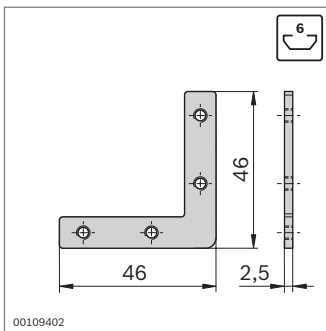
Material: Cast steel; galvanized
Fastening material: Steel; galvanized
Scope of delivery: Incl. fastening material (FS)



Miter bracket



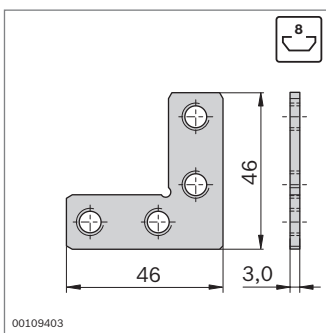
- ▶ For right-angled connections of miter-cut profiles
- ▶ Profile finishing with open profile slots: Not required
- ▶ Profile finishing with closed profile slots: Through-holes for screwdriver



FS1
 DIN EN ISO 4027
 M4x5

Miter bracket	Slot	ESD	No.	FS
	6		20	3 842 535 626 4xFS1

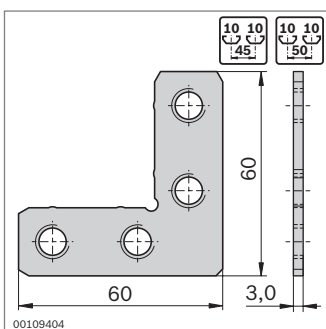
Material: Steel; stainless
 Fastening material: Steel; galvanized
 Scope of delivery: Incl. fastening material (FS)



FS2
 DIN EN ISO 4026
 M8x8

Miter bracket	Slot	ESD	No.	FS
	8		20	3 842 535 627 4xFS2

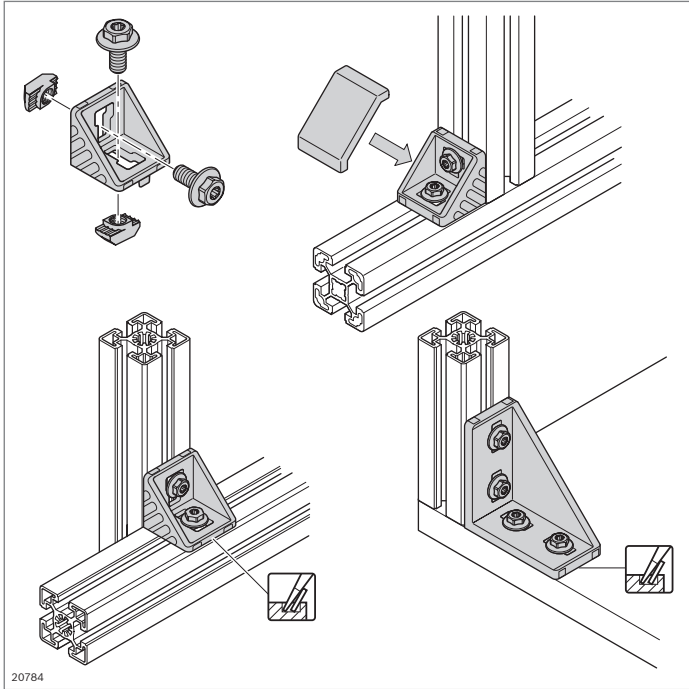
Material: Steel; galvanized
 Fastening material: Steel; galvanized
 Scope of delivery: Incl. fastening material (FS)



FS3
 DIN EN ISO 4026
 M10x10

Miter bracket	Slot	ESD	No.	FS
	10		20	3 842 535 625 4xFS3

Material: Steel; galvanized
 Fastening material: Steel; galvanized
 Scope of delivery: Incl. fastening material (FS)



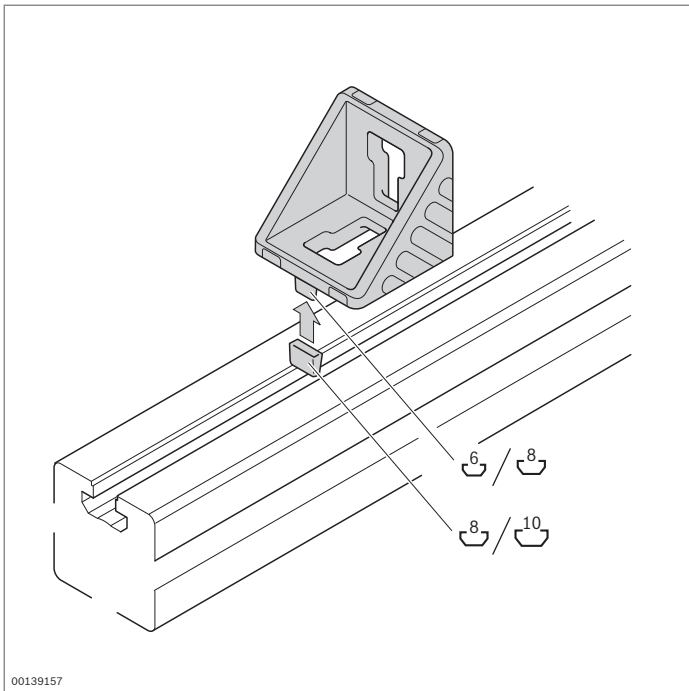
Bracket

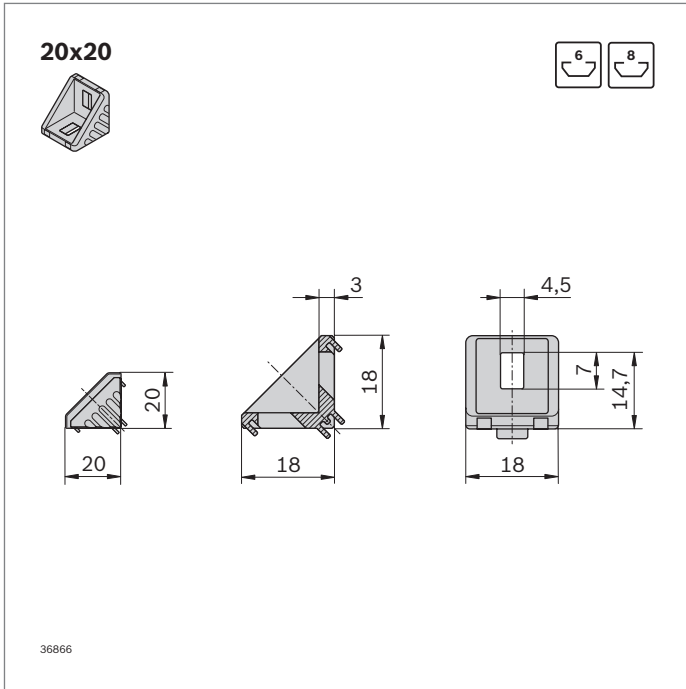


- ▶ Brackets with centering lugs for rapid, precise assembly with protection against turning
- ▶ Centering lugs can be easily broken off for assembly on plates or at right angles to the slot
- ▶ *designLINE* version with special silver paint (RAL 9006) for an attractive, high-quality design
- ▶ Intermediate element for positioning brackets in the next largest slot
- ▶ Sliding block offset for off-center positioning of the 45/45 bracket
- ▶ For preventing dry running.
available in signal gray (RAL 7004) and black ESD (RAL 9005)
- ▶ Profile finishing: Not required

Technical data (p. 18-19)

Notice: The collar screws enable the brackets to be assembled really quickly and easily (p. 3-5)



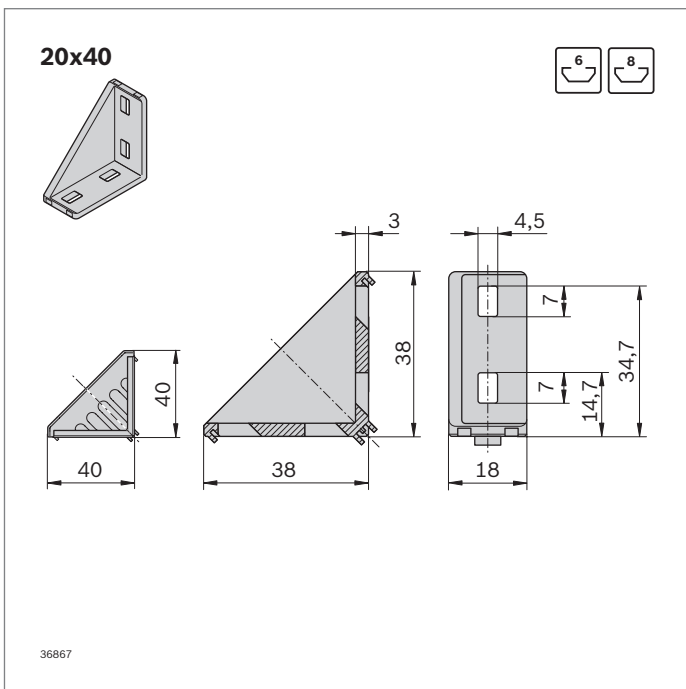
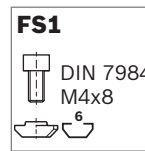


20x20	Slot	ESD	No.	FS
Set (standard)	6 / 6		1 3 842 523 511	2xFS1
<i>designLINE</i> set	6 / 6		1 3 842 551 596	2xFS1
Bracket (standard)	6		100 3 842 523 508	
Cover cap, signal gray			100 3 842 548 842	
Cover cap, black			20 3 842 548 843	
Intermediate element for 8 mm slot	6 / 8		100 3 842 523 516	

Material: Bracket: Diecast aluminum, vibratory ground
designLINE bracket: painted (RAL 9006)
 Intermediate element: PA; black
 Cover cap: PP
 Fastening material: Steel; galvanized

Scope of delivery: Set incl. fastening material (FS)

Type				
20x20	700 N	6 Nm	25 Nm	–

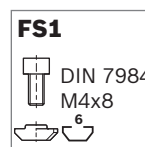


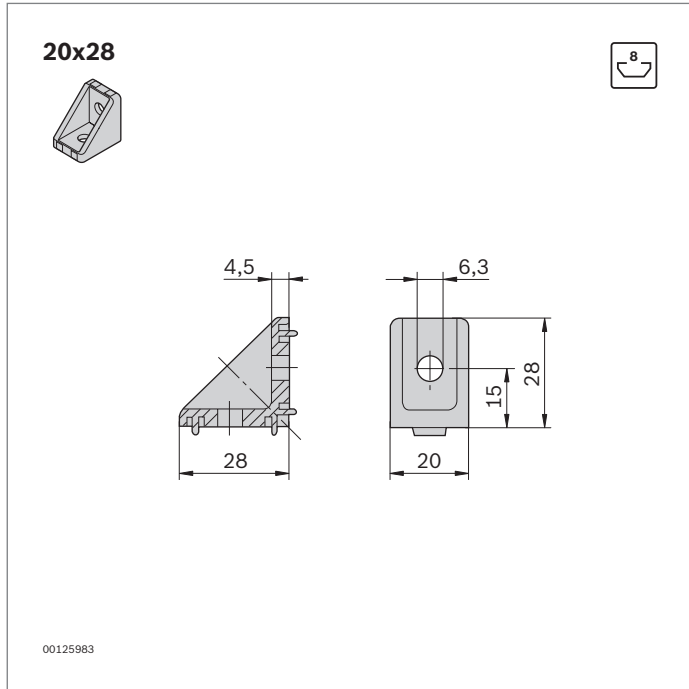
20x40	Slot	ESD	No.	FS
Set (standard)	6 / 6		1 3 842 523 520	4xFS1
<i>designLINE</i> set	6 / 6		1 3 842 551 597	4xFS1
Bracket (standard)	6		20 3 842 523 517	
Cover cap, signal gray			20 3 842 548 844	
Cover cap, black			20 3 842 548 845	
Intermediate element for 8 mm slot	6 / 8		100 3 842 523 516	

Material: Bracket: Diecast aluminum, vibratory ground
designLINE bracket: painted (RAL 9006)
 Intermediate element: PA; black
 Cover cap: PP
 Fastening material: Steel; galvanized

Scope of delivery: Set incl. fastening material (FS)

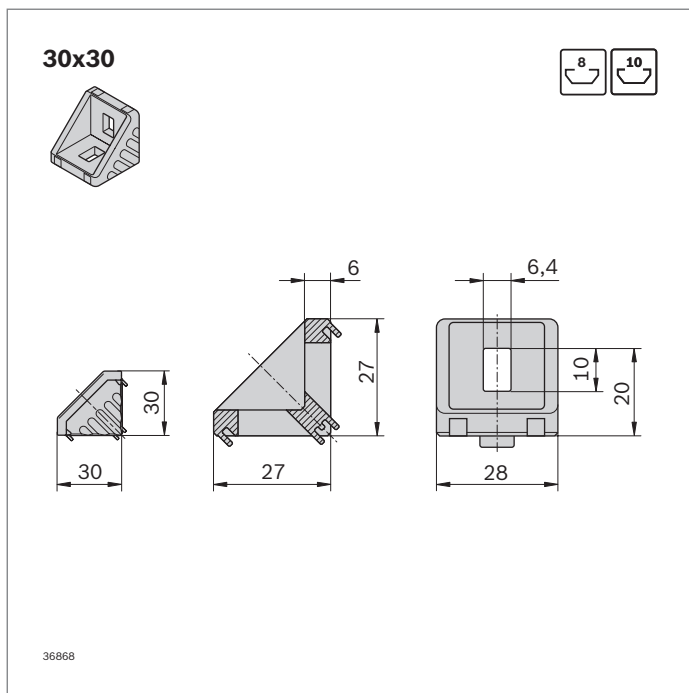
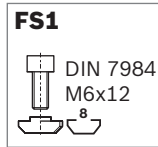
Type				
20x40	1400 N	15 Nm	50 Nm	8 Nm





20x28	Slot	ESD	No.	FS
Set (standard)	8 / 8		1 3 842 502 137	2xFS1
Bracket (standard)	8		100 3 842 501 587	

Material: Diecast zinc
 Fastening material: Steel; galvanized
 Scope of delivery: Set incl. fastening material (FS)

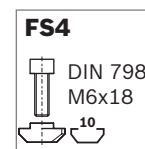
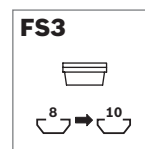
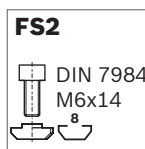


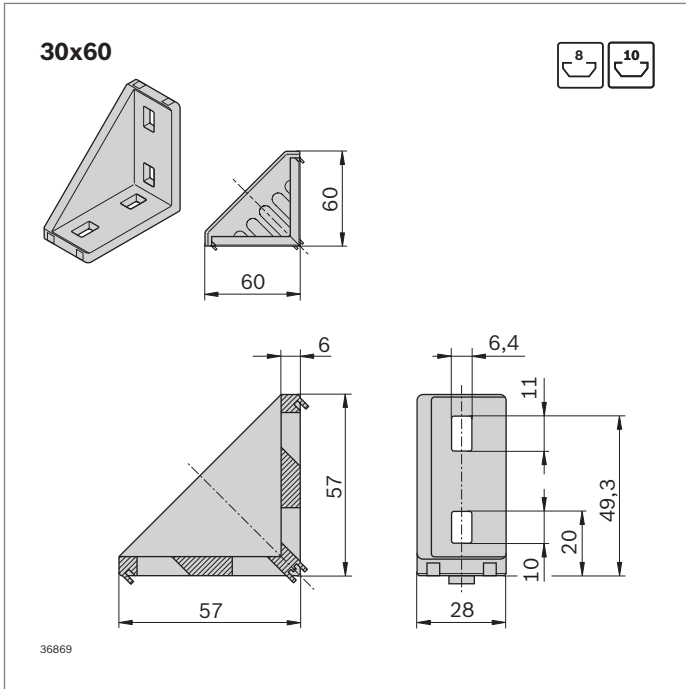
30x30	Slot	ESD	No.	FS
Set (standard)	8 / 8		1 3 842 523 528	2xFS2
	8 / 10		1 3 842 523 530	1xFS2, 2xFS3, 1xFS4
	10 / 10		1 3 842 523 532	4xFS3, 2xFS4
designLINE set	8 / 8		1 3 842 551 598	2xFS2
	8 / 10		1 3 842 551 600	1xFS2, 2xFS3, 1xFS4
	10 / 10		1 3 842 551 599	4xFS3, 2xFS4
Bracket (standard)	8		100 3 842 523 525	
Cover cap, signal gray			100 3 842 548 846	
Cover cap, black			20 3 842 548 847	
Intermediate element for 10 mm slot	8 / 10		100 3 842 523 537	

Material: Bracket: Diecast aluminum, vibratory ground
 designLINE bracket: painted (RAL 9006)
 Intermediate element: PA; black
 Cover cap: PP
 Fastening material: Steel; galvanized

Scope of delivery: Set incl. fastening material (FS)

Type				
30x30	1250 N	25 Nm	75 Nm	-



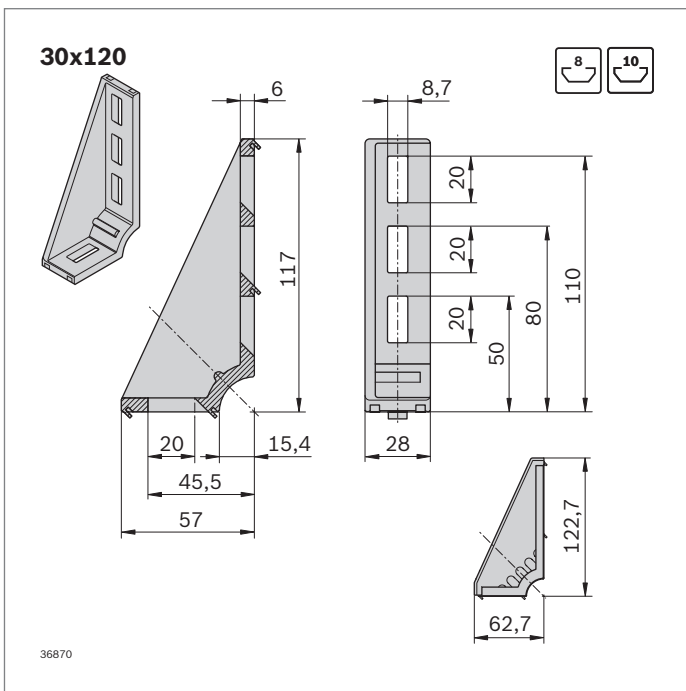
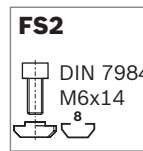


Type	F_{max}	M_{max}	M_{max}	M_{max}
30x60	2500 N	100 Nm	170 Nm	25 Nm

30x60	Slot	ESD	Icon	No.	FS
Set (standard)	8 / 8	⚡	1	3 842 523 541	4xFS2
<i>designLINE</i> set	8 / 8	⚡	1	3 842 551 601	4xFS2
Bracket (standard)	8	⚡	20	3 842 523 538	
Cover cap, signal gray			20	3 842 548 848	
Cover cap, black		⚡	20	3 842 548 849	
Intermediate element for 10 mm slot	8 / 10		100	3 842 523 537	

Material: Bracket: Diecast aluminum, vibratory ground
designLINE bracket: painted (RAL 9006)
 Intermediate element: PA; black
 Cover cap: PP
 Fastening material: Steel; galvanized

Scope of delivery: Set incl. fastening material (FS)

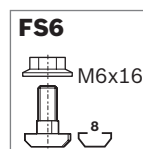


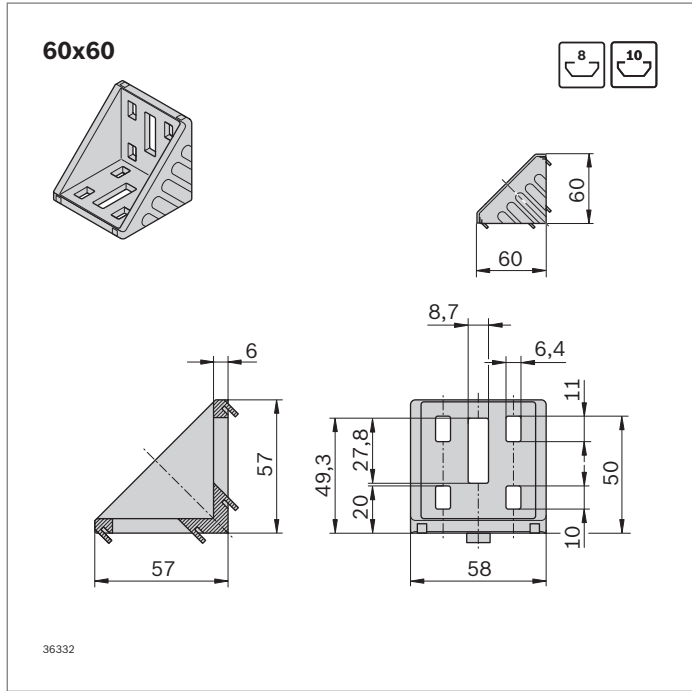
Type	F_{max}	M_{max}	M_{max}
30x120	3750 N	100 Nm	47 Nm

30x120	Slot	ESD	Icon	No.	FS
<i>designLINE</i> set	8 / 8	⚡	1	3 842 551 602	2xFS6
Bracket (standard)	8	⚡	20	3 842 523 587	
Cover cap, signal gray			20	3 842 548 850	
Cover cap, black		⚡	20	3 842 548 851	
Intermediate element for 10 mm slot	8 / 10		100	3 842 523 537	

Material: Bracket: Diecast aluminum, vibratory ground
designLINE bracket: painted (RAL 9006)
 Intermediate element: PA; black
 Cover cap: PP
 Fastening material: Steel; galvanized

Scope of delivery: Set incl. fastening material (FS)

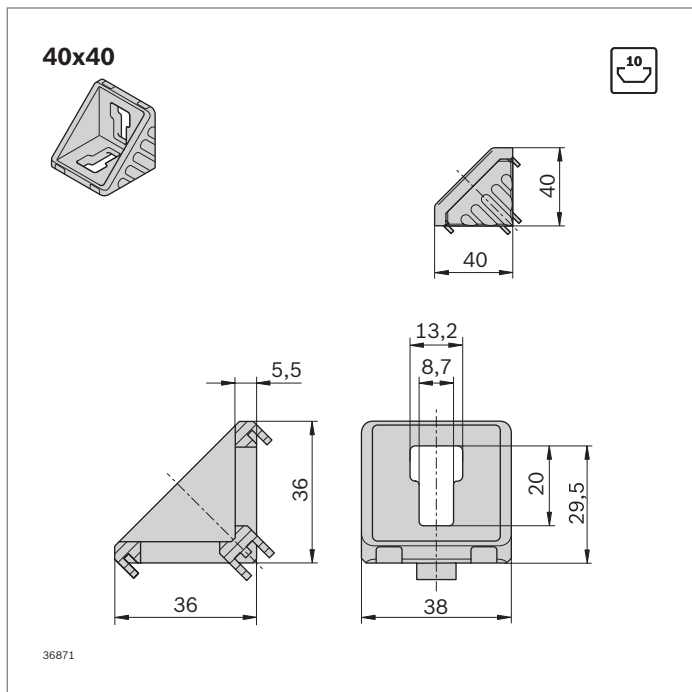
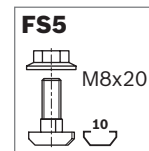
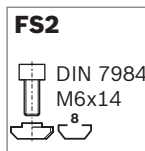




60x60	Slot	ESD		No.	FS
Set (standard)	8 / 8		1	3 842 523 549	8xFS2
	8 / 10		1	3 842 523 551	4xFS2, 1xFS5
	10 / 10		1	3 842 523 553	2xFS5
<i>designLINE</i> set	8 / 8		1	3 842 551 609	8xFS2
	8 / 10		1	3 842 551 610	4xFS2, 1xFS5
	10 / 10		1	3 842 551 611	2xFS5
Bracket (standard)	8		20	3 842 523 546	
Cover cap, signal gray			20	3 842 548 852	
Cover cap, black			20	3 842 548 853	
Intermediate element for 10 mm slot	10		100	3 842 523 537	

Material: Bracket: Diecast aluminum, vibratory ground
designLINE bracket: painted (RAL 9006)
 Intermediate element: PA; black
 Cover cap: PP
 Fastening material: Steel; galvanized
 Scope of delivery: Set incl. fastening material (FS)

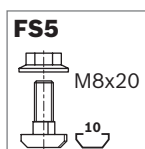
Type	Slot		F_{max}		M_{max}		M_{max}		M_{max}
60x60	8		5000 N		320 Nm		370 Nm		110 Nm
	10		3000 N		125 Nm		150 Nm		-

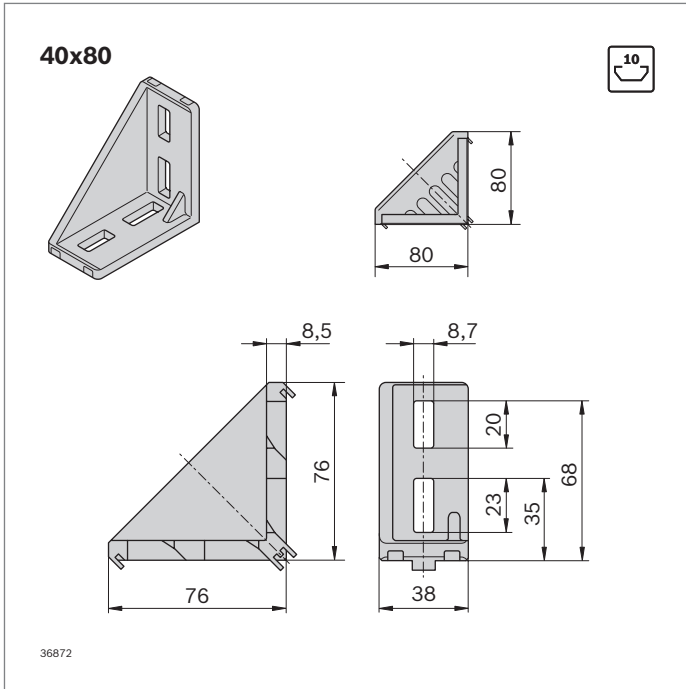


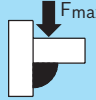
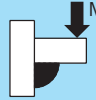
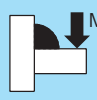

40x40	Slot	ESD		No.	FS
Set (standard)	10 / 10		1	3 842 529 383	2xFS5
<i>designLINE</i> set	10 / 10		1	3 842 551 603	2xFS5
Bracket (standard)	10		100	3 842 528 967	
Cover cap, signal gray			100	3 842 548 854	
Cover cap, black			20	3 842 548 855	




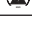

Material: Bracket: Diecast aluminum, vibratory ground
designLINE bracket: painted (RAL 9006)
 Cover cap: PP
 Fastening material: Steel; galvanized
 Scope of delivery: Set incl. fastening material (FS)

Type		F_{max}		M_{max}		M_{max}		M_{max}
40x40		3000 N		55 Nm		145 Nm		35 Nm

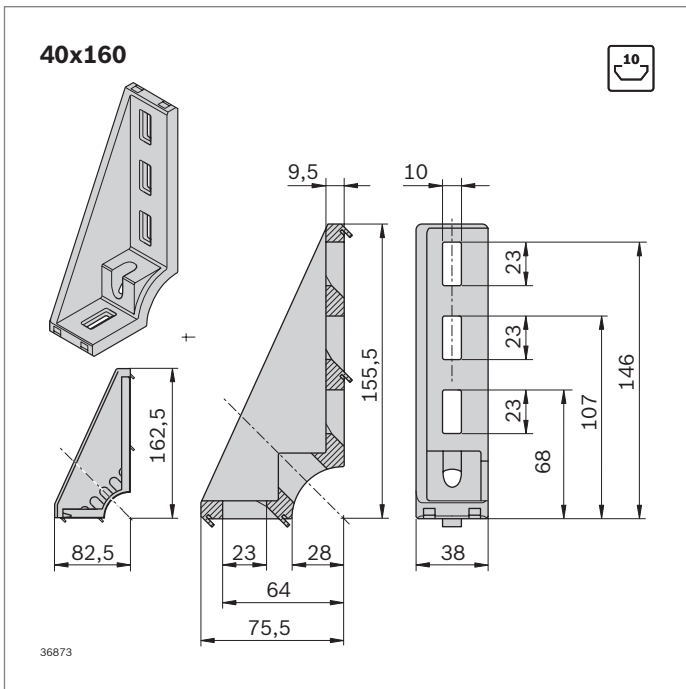
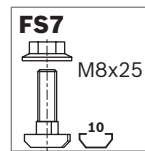


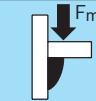








Type				
40x80	6000 N	180 Nm	400 Nm	60 Nm

40x80	Slot	ESD		No.	FS
Set (standard)	10 / 10		1	3 842 529 386	4xFS7
<i>designLINE</i> set	10 / 10		1	3 842 551 604	4xFS7
Bracket (standard)	10		20	3 842 529 005	
Cover cap, signal gray			20	3 842 548 856	
Cover cap, black			20	3 842 548 857	

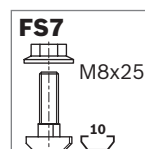
Material: Bracket: Diecast aluminum, vibratory ground
designLINE bracket: painted (RAL 9006)
 Cover cap: PP
 Fastening material: Steel; galvanized
 Scope of delivery: Set incl. fastening material (FS)

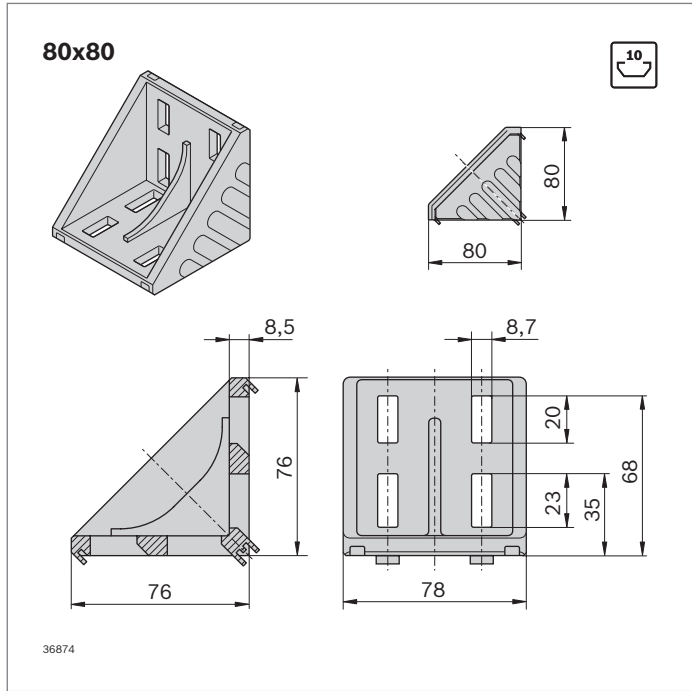


Type			
40x160	9000 N	250 Nm	60 Nm

40x160	Slot	ESD		No.	FS
<i>designLINE</i> set	10 / 10		1	3 842 551 605	2x FS7
Bracket (standard)	10		20	3 842 529 006	
Cover cap, signal gray			20	3 842 548 858	
Cover cap, black			20	3 842 548 859	

Material: Bracket: Diecast aluminum, vibratory ground
designLINE bracket: painted (RAL 9006)
 Cover cap: PP
 Fastening material: Steel; galvanized
 Scope of delivery: Set incl. fastening material (FS)

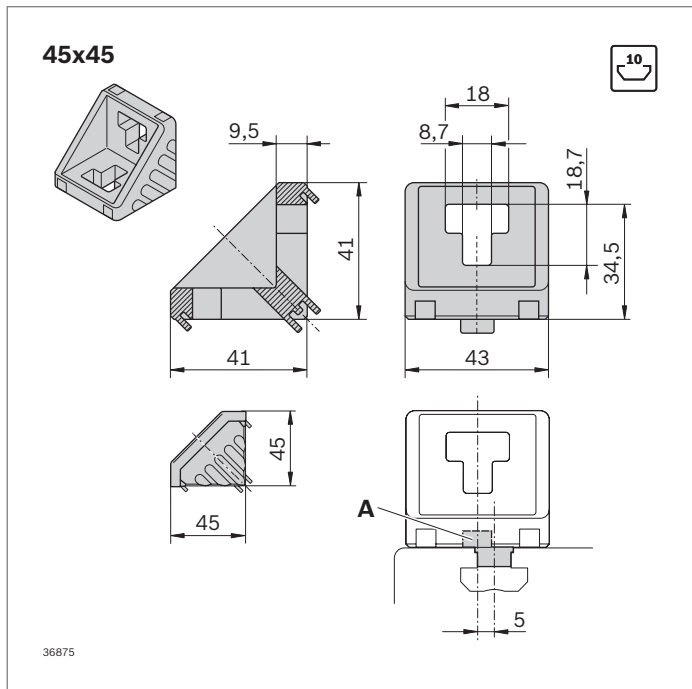
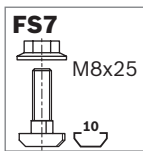




Type	F_{max}	M_{max}	M_{max}	M_{max}
80x80	14000 N	500 Nm	1000 Nm	400 Nm

80x80	Slot	ESD		No.	FS
Set (standard)	10 / 10		1	3 842 530 360	8xFS7
<i>designLINE</i> set	10 / 10		1	3 842 551 612	8xFS7
Bracket (standard)	10		20	3 842 530 231	
Cover cap, signal gray			20	3 842 548 860	
Cover cap, black			20	3 842 548 861	

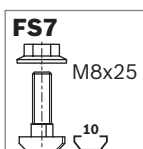
Material: Bracket: Diecast aluminum, vibratory ground
designLINE bracket: painted (RAL 9006)
 Cover cap: PP
 Fastening material: Steel; galvanized
 Scope of delivery: Set incl. fastening material (FS)

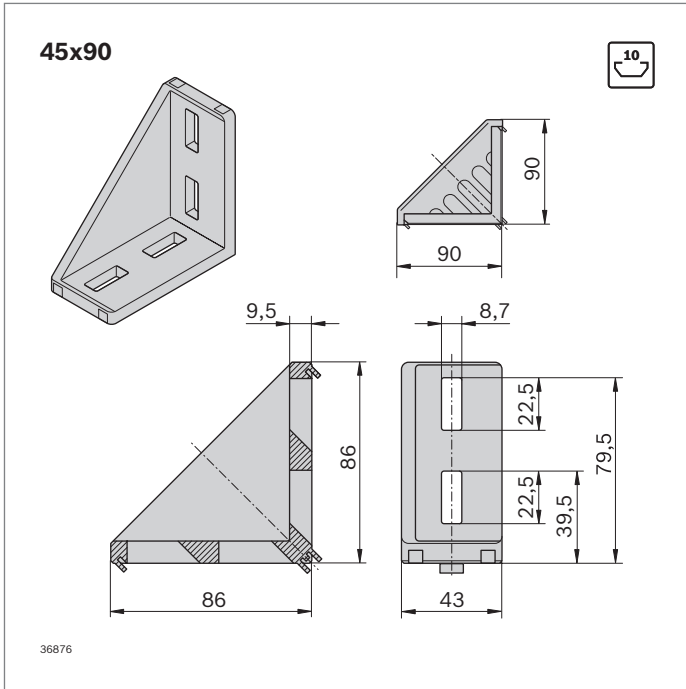


Type	F_{max}	M_{max}	M_{max}	M_{max}
45x45	3000 N	60 Nm	160 Nm	—

45x45	Slot	ESD		No.	FS
Set (standard)	10 / 10		1	3 842 523 561	2xFS7
<i>designLINE</i> set	10 / 10		1	3 842 551 606	2xFS7
Bracket (standard)	10		100	3 842 523 558	
Cover cap, signal gray			100	3 842 548 862	
Cover cap, black			20	3 842 548 863	
Sliding block, offset (A)	10		100	3 842 523 593	

Material: Bracket: Diecast aluminum, vibratory ground
designLINE bracket: painted (RAL 9006)
 Sliding block, offset: PA; black
 Cover cap: PP
 Fastening material: Steel; galvanized
 Scope of delivery: Set incl. fastening material (FS)

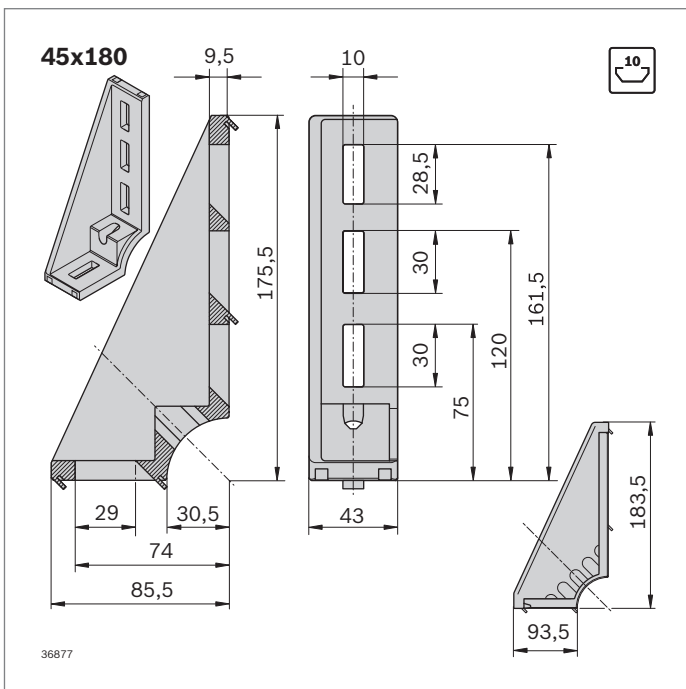
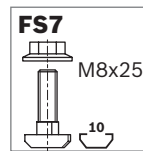




45x90	Slot	ESD	No.	FS
Set (standard)	10 / 10		1 3 842 523 570	4xFS7
<i>designLINE</i> set	10 / 10		1 3 842 551 607	4xFS7
Bracket (standard)	10		100 3 842 523 567	
Cover cap, signal gray			20 3 842 548 864	
Cover cap, black			20 3 842 548 865	

Material: Bracket: Diecast aluminum, vibratory ground
designLINE bracket: painted (RAL 9006)
 Cover cap: PP
 Fastening material: Steel; galvanized
 Scope of delivery: Set incl. fastening material (FS)

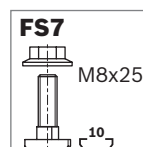
Type				
45x90	6000 N	180 Nm	400 Nm	60 Nm

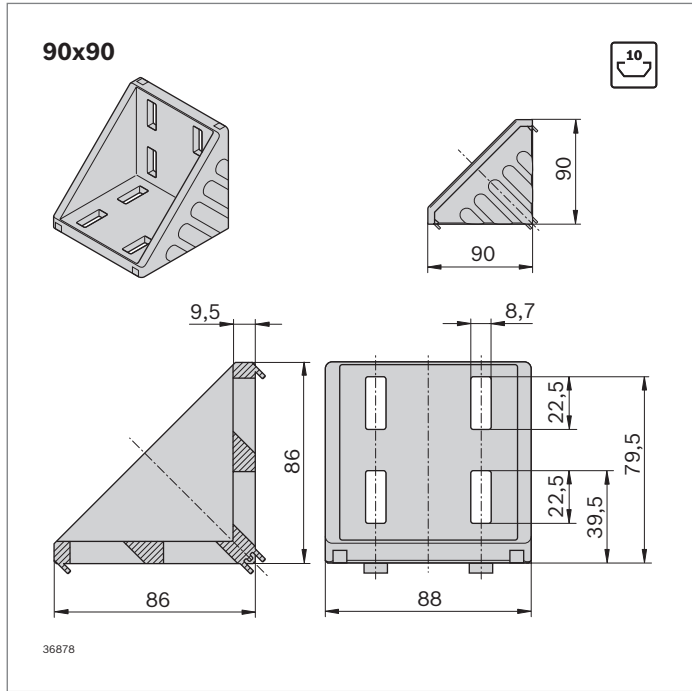


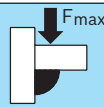
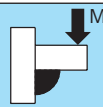
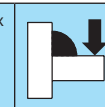
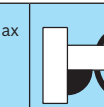
45x180	Slot	ESD	No.	FS
<i>designLINE</i> set	10 / 10		1 3 842 551 608	2xFS7
Bracket (standard)	10		20 3 842 523 583	
Cover cap, signal gray			20 3 842 548 866	
Cover cap, black			20 3 842 548 867	






Material: Bracket: Diecast aluminum, vibratory ground
designLINE bracket: painted (RAL 9006)
 Cover cap: PP
 Fastening material: Steel; galvanized
 Scope of delivery: Set incl. fastening material (FS)

Type			
45x180	9000 N	250 Nm	65 Nm

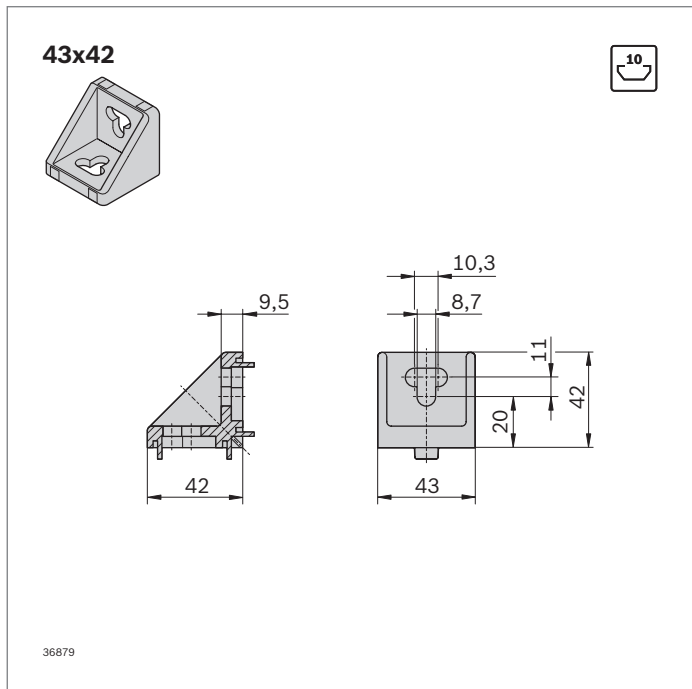
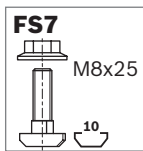


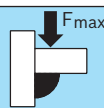
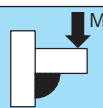
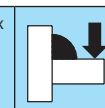
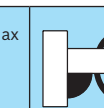





Type	 F_{max}	 M_{max}	 M_{max}	 M_{max}
90x90	12000 N	370 Nm	800 Nm	200 Nm

90x90	Slot	ESD		No.	FS
Set (standard)	10 / 10		1	3 842 523 578	8xFS7
<i>designLINE</i> set	10 / 10		1	3 842 551 613	8xFS7
Bracket (standard)	10		20	3 842 523 575	
Cover cap, signal gray			20	3 842 548 868	
Cover cap, black			20	3 842 548 869	

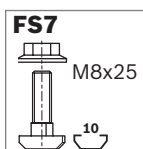
Material: Bracket: Diecast aluminum, vibratory ground
designLINE bracket: painted (RAL 9006)
 Cover cap: PP
 Fastening material: Steel; galvanized
 Scope of delivery: Set incl. fastening material (FS)

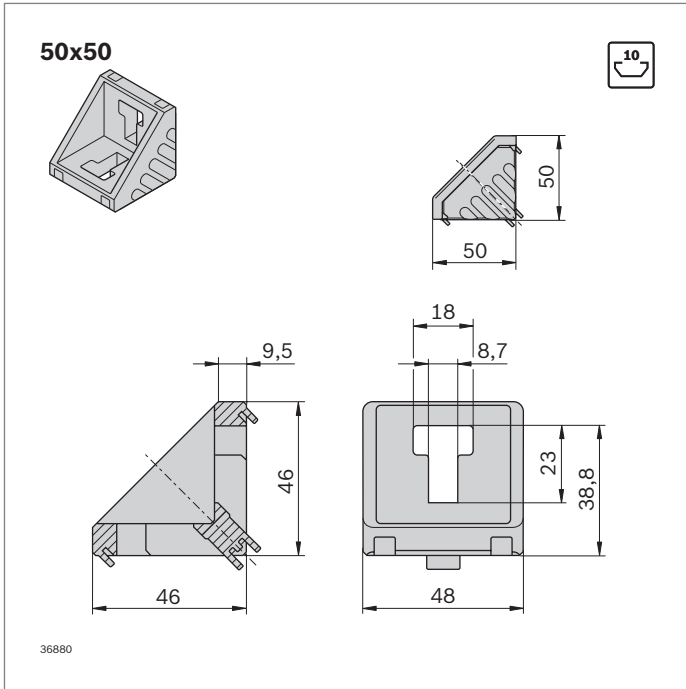


Type	 F_{max}	 M_{max}	 M_{max}	 M_{max}
43x42	2000 N	-	160 Nm	-

43x42	Slot	ESD		No.	FS
Set (standard)	10 / 10		1	3 842 352 009	2xFS7
Bracket (standard)	10		100	3 842 348 526	

Material: Bracket: Diecast aluminum
 Fastening material: Steel; galvanized
 Scope of delivery: Set incl. fastening material (FS)

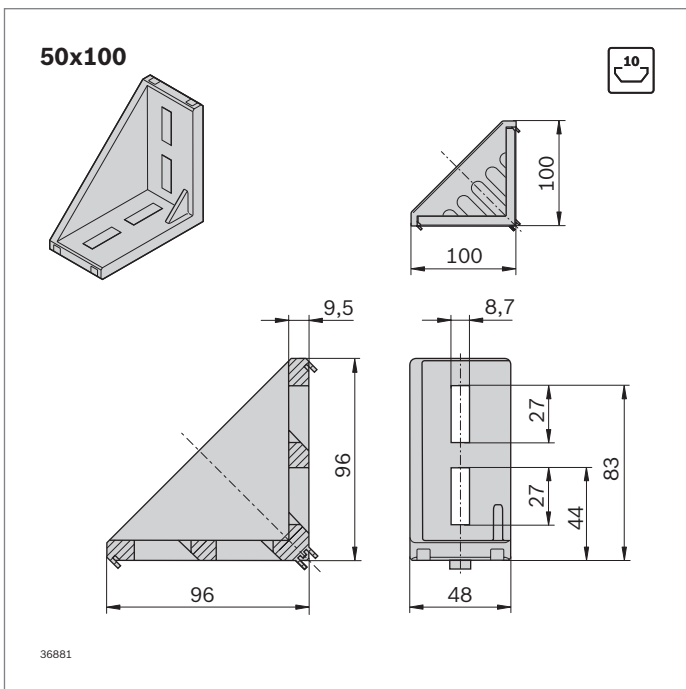
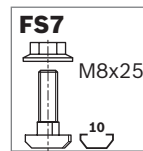




50x50	Slot	ESD		No.	FS
Set (standard)	10 / 10		1	3 842 530 259	2xFS7
Bracket (standard)	10		20	3 842 530 381	
Cover cap, signal gray			20	3 842 548 870	
Cover cap, black			20	3 842 548 871	

Material: Bracket: Diecast aluminum, vibratory ground
 Cover cap: PP
 Fastening material: Steel; galvanized
 Scope of delivery: Set incl. fastening material (FS)

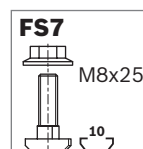
Type				
50x50	4000 N	125 Nm	250 Nm	38 Nm

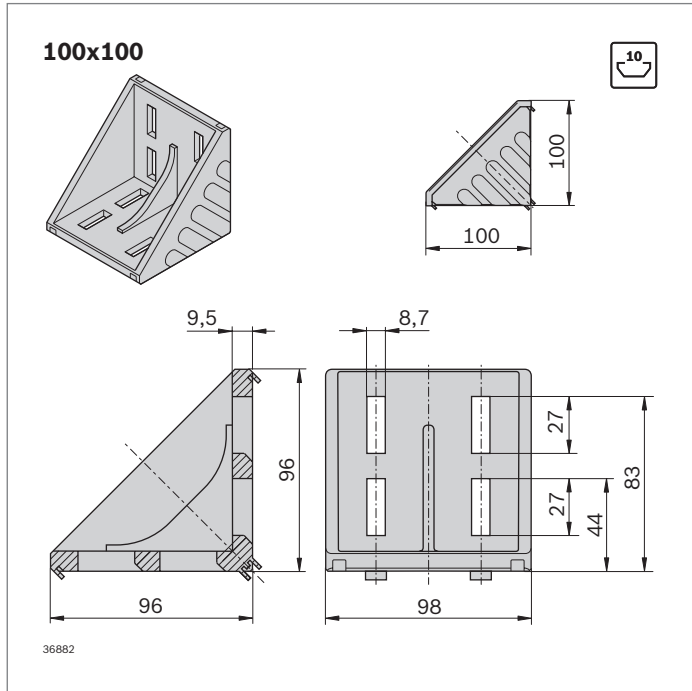


50x100	Slot	ESD		No.	FS
Set (standard)	10 / 10		1	3 842 530 260	4xFS7
Bracket (standard)	10		20	3 842 530 382	
Cover cap, signal gray			20	3 842 548 872	
Cover cap, black			20	3 842 548 873	

Material: Bracket: Diecast aluminum, vibratory ground
 Cover cap: PP
 Fastening material: Steel; galvanized
 Scope of delivery: Set incl. fastening material (FS)

Type				
50x100	7500 N	300 Nm	600 Nm	73 Nm





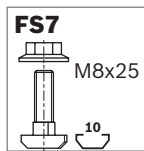
100x100	Slot	ESD		No.	FS
Set (standard)	10 / 10		1	3 842 530 361	8xFS7
Bracket (standard)	10		20	3 842 530 460	
Cover cap, signal gray			20	3 842 548 874	
Cover cap, black			20	3 842 548 875	

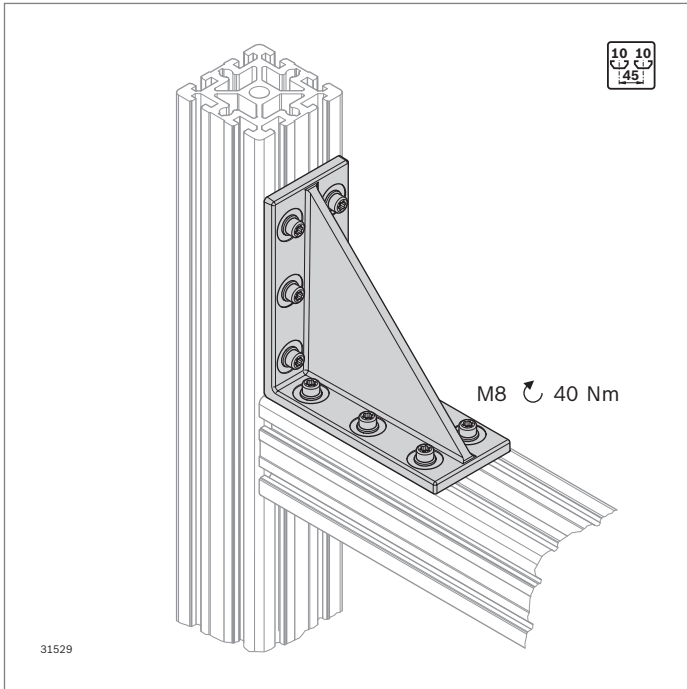
Material: Bracket: Diecast aluminum, vibratory ground
Cover cap: PP

Fastening material: Steel; galvanized

Scope of delivery: Set incl. fastening material (FS)

Type				
100x100	15000 N	550 Nm	1100 Nm	480 Nm





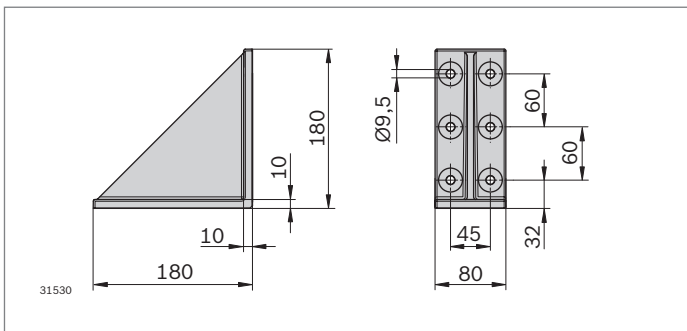
Heavy-duty connector 180x180 dynamic load



- ▶ Heavy-duty connector for reliable absorption of high forces
- ▶ Can be used for both static and dynamic forces
- ▶ Connection possible in any position
- ▶ Profile finishing: Not required
- ▶ Calculation program for static and dynamic forces included in MTpro planning software
- ▶ Focus profile: 90x90, 90x180, 90x360

Required accessories:

Mounting kit

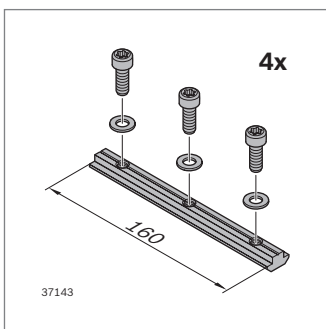


180x180	Slot	ESD No.
	10	3 842 555 616

Material: Cast iron; galvanized

Scope of delivery: Bracket

Type				
180x180	30000 N	5600 Nm	5600 Nm	1400 Nm



Slot	
10 (M8)	6000 ... 18000 N

Mounting kit

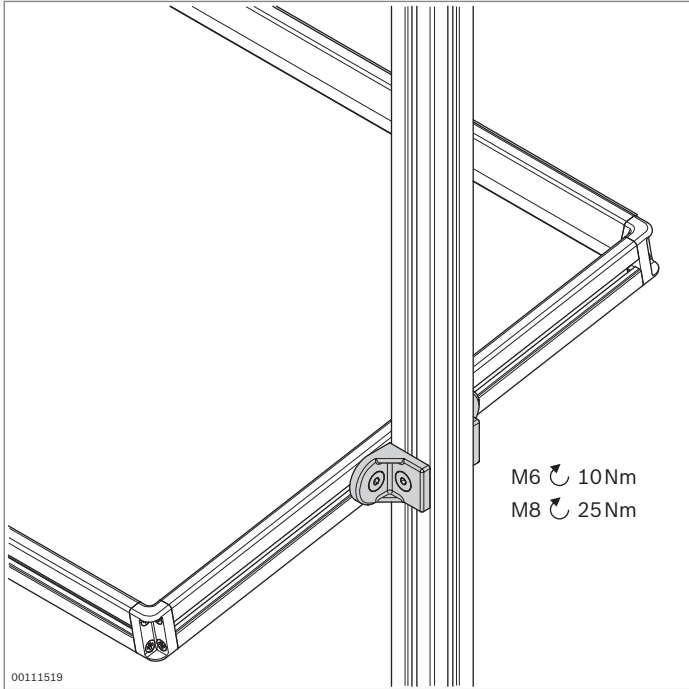
- ▶ For connecting a heavy-duty angle to a profile
- ▶ Set consists of 4 sliding blocks and 12 screws with washers

Mounting kit	Slot	M	ESD	No.
	10	8		Set 3 842 548 955

Material: Screws: Steel; galvanized

Sliding block: Steel; galvanized

Scope of delivery: 4 x sliding blocks, 12 x washers, 12 x screws M8 10.9 microencapsulated

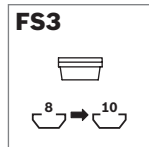
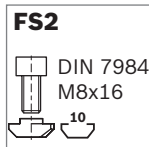
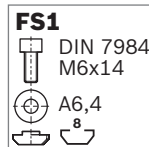
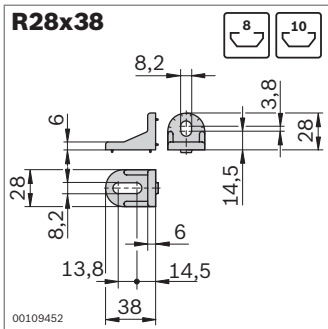


Bracket R



designLINE

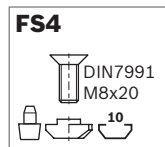
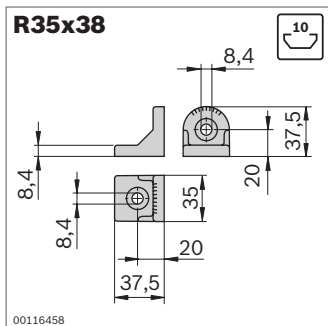
- ▶ For connecting profiles at any angle
- ▶ No interfering edges thanks to rounded bracket
- ▶ Brackets with centering lugs for rapid, precise assembly with protection against turning
- ▶ Centering lugs can be easily broken off for assembly on plates or at right angles to the slot
- ▶ *designLINE* version with special silver paint (RAL 9006) for an attractive, high-quality design
- ▶ Profile finishing: Not required



R28x38	Slot	ESD	No.	FS
Set (standard)	8 / 10	⚡	1 3 842 515 547	FS1, FS2, 2xFS3
	10 / 10	⚡	1 3 842 521 580	2xFS2, 4xFS3
<i>designLINE</i> set	8 / 10	⚡	1 3 842 538 703	FS1, FS2, 2xFS3
	10 / 10	⚡	1 3 842 538 704	2xFS2, 4xFS3
Bracket (standard)	8 / 10	⚡	100 3 842 515 473	

Material: Bracket: Diecast zinc
designLINE bracket: painted (RAL 9006)
Intermediate element: PA; black
Fastening material: Steel; galvanized

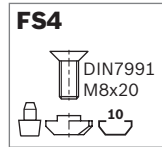
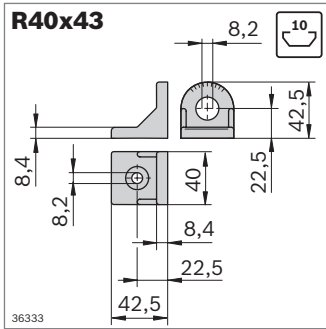
Scope of delivery: Set incl. fastening material (FS)



R35x38	Slot	ESD	No.	FS
Set (standard)	10 / 10	⚡	1 3 842 532 274	2xFS4
<i>designLINE</i> set	10 / 10	⚡	1 3 842 538 705	2xFS4
Bracket (standard)	10	⚡	100 3 842 529 020	

Material: Bracket: Diecast aluminum
designLINE bracket: painted (RAL 9006)
Centering bolts: PA6, black
Fastening material: Steel; galvanized

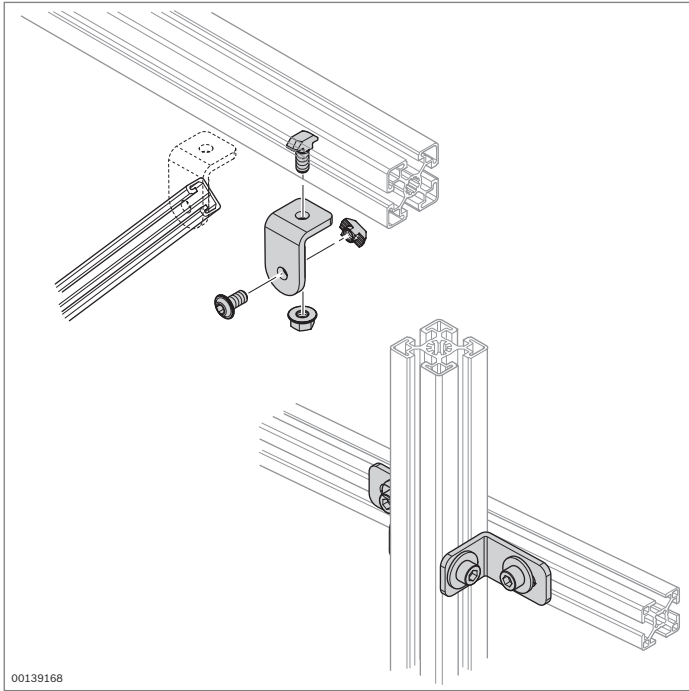
Scope of delivery: Set incl. fastening material (FS)



R40x43	Slot	ESD		No.	FS
Set (standard)	10 / 10		1	3 842 518 424	2xFS4
<i>designLINE</i> set	10 / 10		1	3 842 538 706	2xFS4
Bracket (standard)	10		100	3 842 504 760	

Material: Bracket: Diecast zinc
designLINE bracket: painted (RAL 9006)
 Centering bolts: PA6, black
 Fastening material: Steel; galvanized

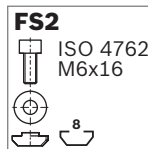
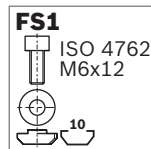
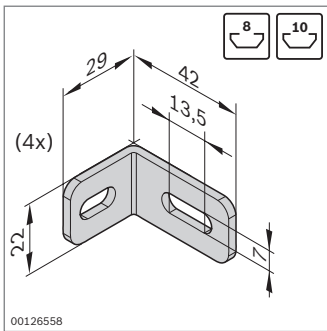
Scope of delivery: Set incl. fastening material (FS)



Steel bracket

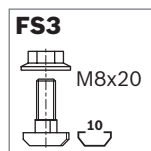
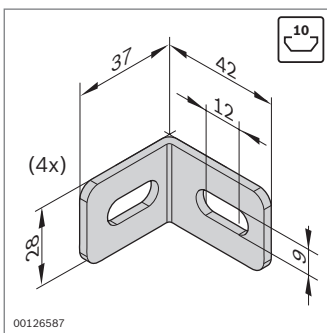


- ▶ Steel bracket without centering lugs for fastening at any angle
- ▶ Profile finishing: Not required



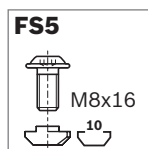
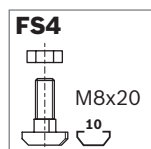
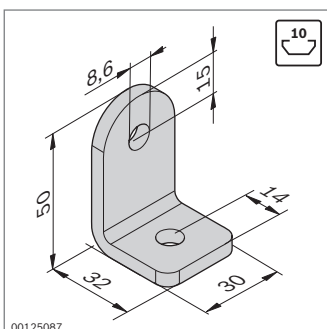
Bracket set	Slot	ESD	No.	FS
	8 / 10		4	3 842 537 862 4xFS1, 4xFS2

Material: Steel; galvanized
 Fastening material: Steel; galvanized
 Scope of delivery: Set incl. fastening material (FS)



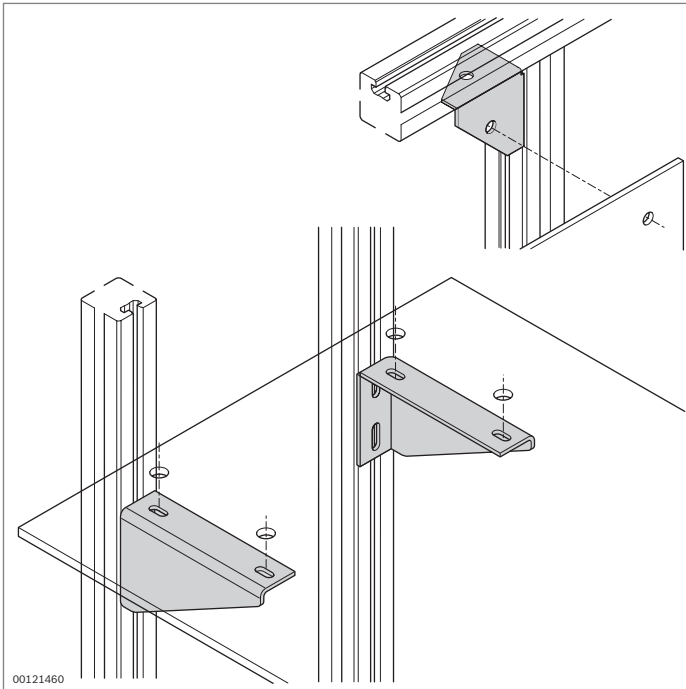
Bracket set	Slot	ESD	No.	FS
	10 / 10		4	3 842 537 861 8xFS3

Material: Steel; galvanized
 Fastening material: Steel; galvanized
 Scope of delivery: Set incl. fastening material (FS)

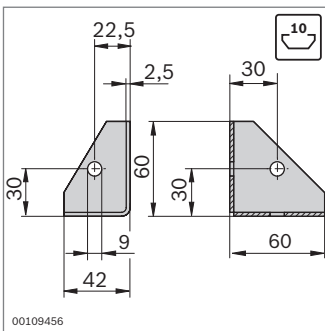


Bracket set	Slot	ESD	No.	FS
	10 / 10		20	3 842 536 729 FS4, FS5

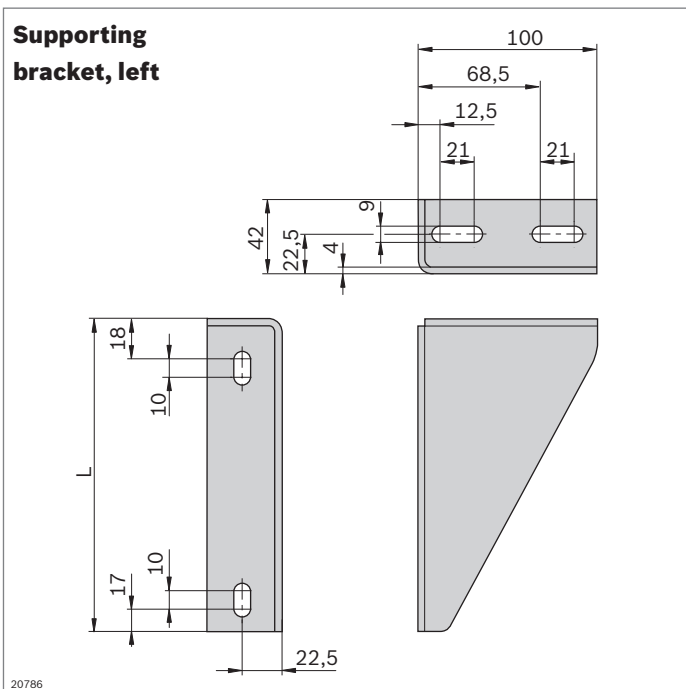
Material: Steel; galvanized
 Fastening material: Steel; galvanized
 Scope of delivery: Set incl. fastening material (FS)



00121460



00109456



20786

Metal bracket Supporting bracket



Metal bracket

- ▶ Metal bracket for right-angled profile connections
- ▶ Screw fitting of panel elements in the stiffening fin bore
- ▶ Profile finishing: Not required

Supporting bracket

- ▶ Supporting bracket for fastening panel elements to profiles, e.g. for shelves
- ▶ Profile finishing: Not required

Metal bracket	ESD	No.
	20	3 842 146 813

Material: Sheet steel; galvanized

Required accessories:

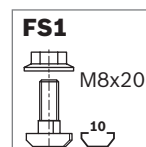
- ▶ T-bolt M8x20, 10 mm slot, **3 842 528 715** (p. 3-6)
- ▶ Flange nut M8, **3 842 345 081** (p. 3-6)

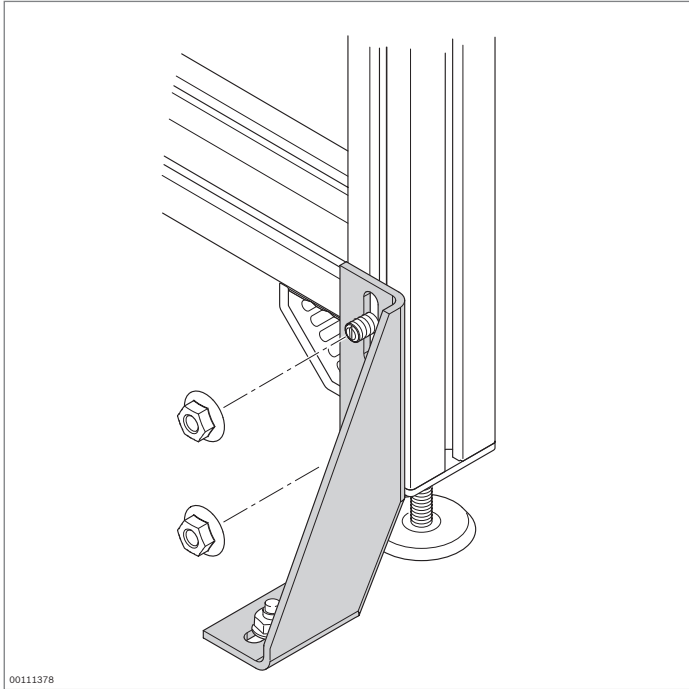
Supporting bracket	L (mm)	ESD	No.	FS
left	255	20	3 842 536 119	2xFS1
	335	20	3 842 536 121	2xFS1
	415	20	3 842 536 123	2xFS1
	495	20	3 842 536 125	2xFS1
right	255	20	3 842 536 120	2xFS1
	335	20	3 842 536 122	2xFS1
	415	20	3 842 536 124	2xFS1
	495	20	3 842 536 126	2xFS1

Material: Sheet steel; powder-coated, RAL 7037

Fastening material: Steel; galvanized

Scope of delivery: Incl. fastening material (FS)





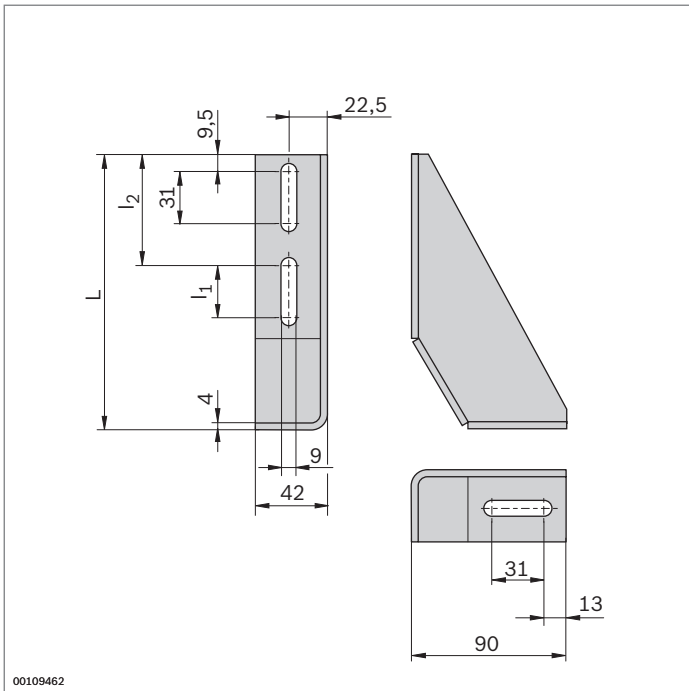
Foundation bracket



- ▶ Foundation bracket for securing frames to the floor
- ▶ The drilled hole for the floor dowel can be created without removing the foundation bracket
- ▶ Profile finishing: Not required

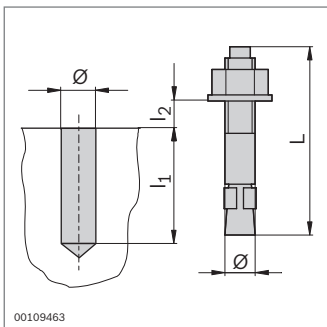
Required accessories:

- ▶ T-bolt M8x20, 10 mm slot, **3 842 528 715** (p. 3-6)
- ▶ Flange nut M8, **3 842 345 081** (p. 3-6)
- ▶ Floor dowel



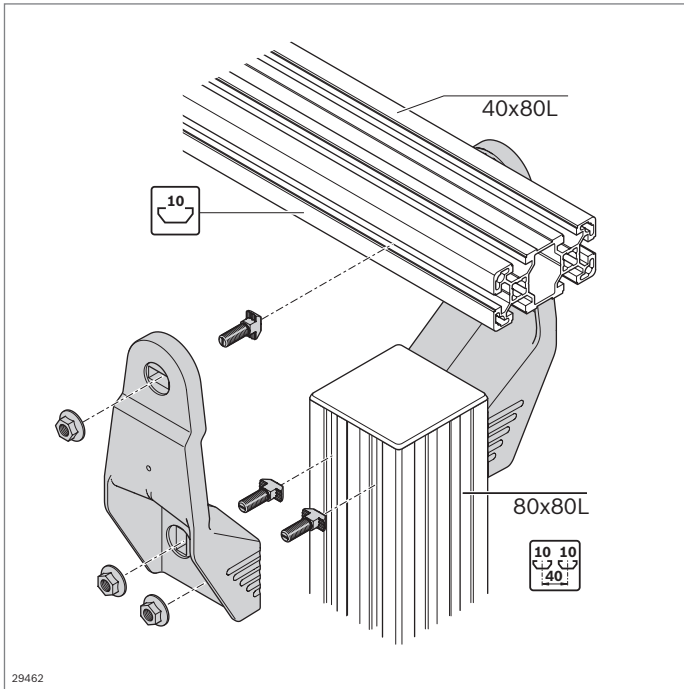
Foundation bracket	L (mm)	I ₁ (mm)	I ₂ (mm)		No.
	160	31	64.5	20	3 842 146 815
	210	91	54.5	20	3 842 146 848

Material: Sheet steel; galvanized



Floor dowel	∅	L (mm)	I ₁ (mm)	I _{2 max} (mm)		No.
	8	80	65	15	100	3 842 526 560

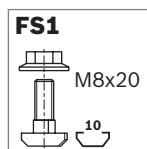
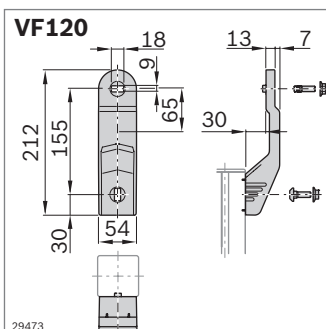
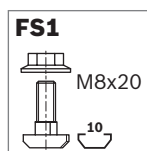
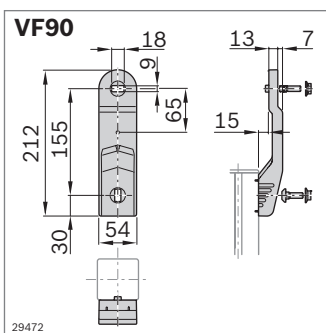
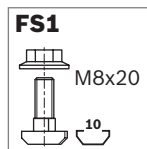
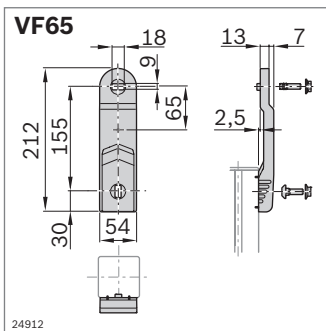
Material: Steel; galvanized



Holder AL



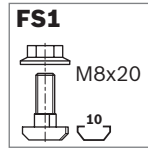
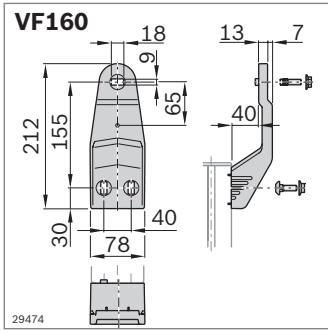
- ▶ For connecting profiles at right-angles to each other and with defined spacing, e.g. for floor supports made of 80x80L or 60x60 profiles
- ▶ Longitudinal connection possible in all profiles with 10 mm slot
- ▶ Transverse connection possible with 40 mm slot spacing
- ▶ Profile finishing: Not required



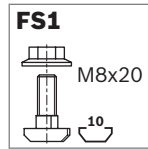
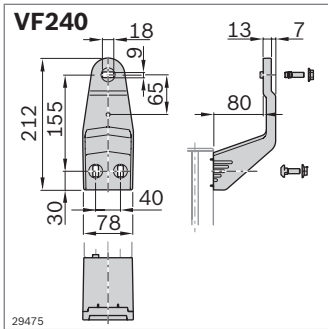
Holder	No.	FS
VFplus 65	Set 3 842 546 625	8xFS1
Material:	Holder: Diecast aluminum; powder-coated (RAL 9006) Fastening material: Steel; galvanized	
Scope of delivery:	2 x holder, fastening material (FS)	

Holder	No.	FS
VFplus 90	Set 3 842 546 626	8xFS1
Material:	Holder: Diecast aluminum; powder-coated (RAL 9006) Fastening material: Steel; galvanized	
Scope of delivery:	2 x holder, fastening material (FS)	

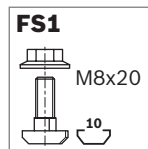
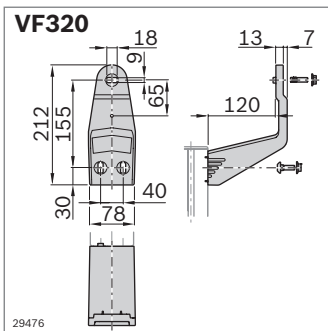
Holder	No.	FS
VFplus 120	Set 3 842 546 627	8xFS1
Material:	Holder: Diecast aluminum; powder-coated (RAL 9006) Fastening material: Steel; galvanized	
Scope of delivery:	2 x holder, fastening material (FS)	



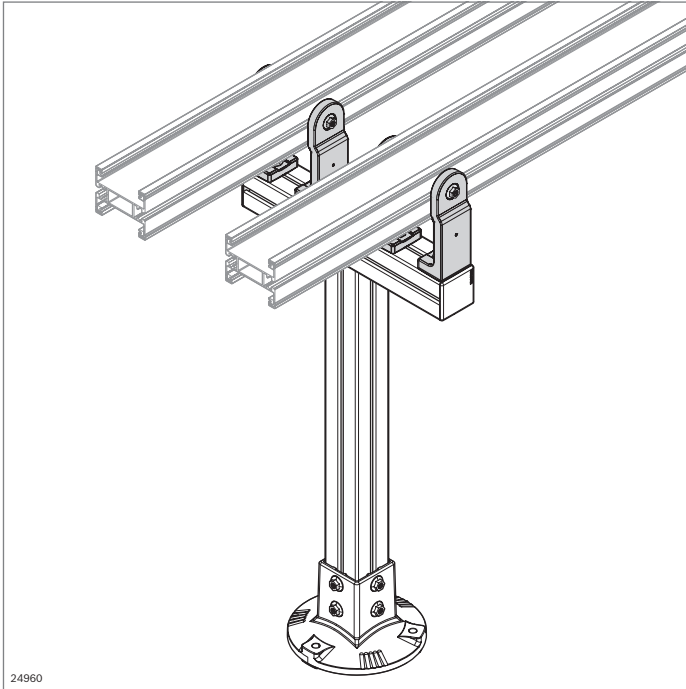
Holder	No.	FS
VFplus 160	Set 3 842 546 628	8xFS1
Material:	Holder: Diecast aluminum; powder-coated (RAL 9006) Fastening material: Steel; galvanized	
Scope of delivery:	2 x holder, fastening material (FS)	



Holder	No.	FS
VFplus 240	Set 3 842 546 629	8xFS1
Material:	Holder: Diecast aluminum; powder-coated (RAL 9006) Fastening material: Steel; galvanized	
Scope of delivery:	2 x holder, fastening material (FS)	



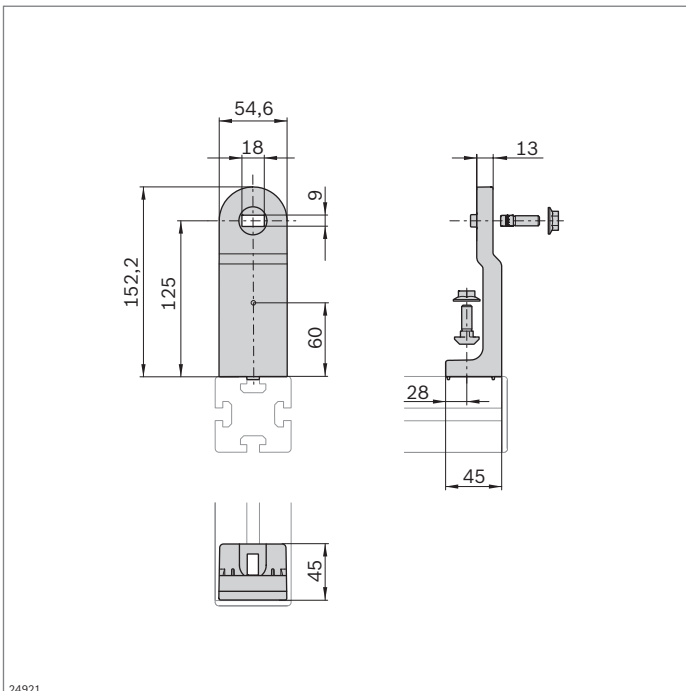
Holder	No.	FS
VFplus 320	Set 3 842 546 630	8xFS1
Material:	Holder: Diecast aluminum; powder-coated (RAL 9006) Fastening material: Steel; galvanized	
Scope of delivery:	2 x holder, fastening material (FS)	



Supporting bracket AL

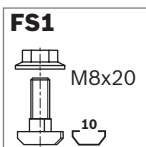


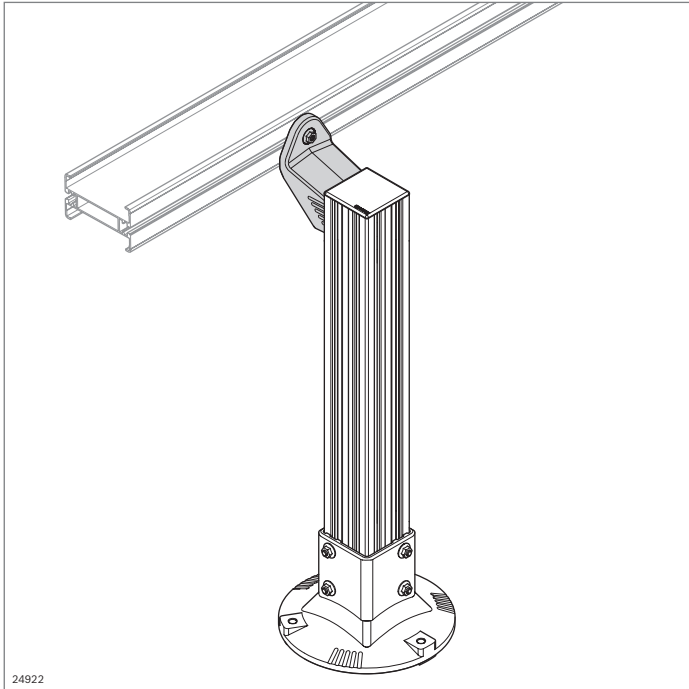
- ▶ Supporting bracket for connecting two profiles with defined spacing (approx. 2–3 m)
- ▶ Profile finishing: Not required
- ▶ Centering lugs make centering the supporting brackets in the slot easy
- ▶ If the centering lugs are removed, the supporting bracket can also be used for upward and downward sloping sections (up to approx. 45° depending on the return chain)
- ▶ Very simple assembly thanks to pluggable screwed connection
- ▶ Easy-to-clean design with draining surfaces



Supporting bracket VFplus AL	No.	FS
Set	3 842 546 632	6xFS1

Material: Holder: Diecast aluminum, silver
 Fastening material: Steel; galvanized
 Scope of delivery: Incl. fastening material (FS)

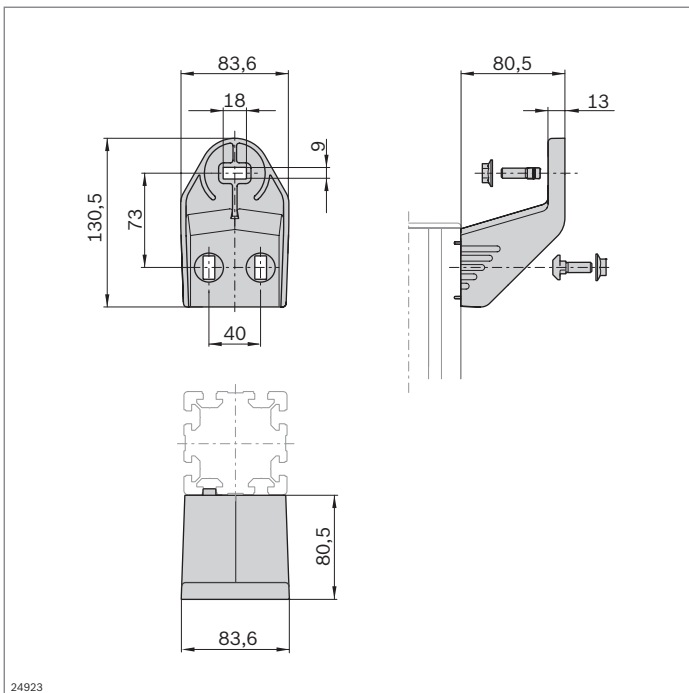




Supporting bracket AL, lateral



- ▶ Supporting bracket for connecting two profiles with defined spacing (approx. 2–3 m)
- ▶ Profile finishing: Not required
- ▶ Centering lugs make centering the supporting brackets in the slot easy
- ▶ If the centering lugs are removed, the supporting bracket can also be used for upward and downward sloping sections (up to approx. 45° depending on the return chain)
- ▶ Designed for attachment to a vertical 80x80 strut profile



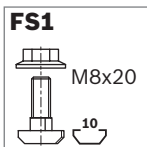
Supporting bracket VFplus lateral AL	No.	FS
--------------------------------------	-----	----

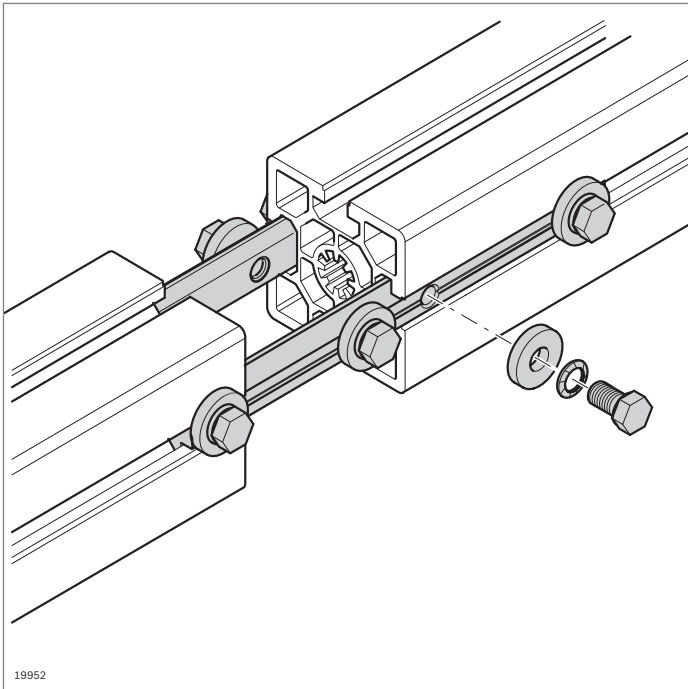
Set **3 842 547 461** 6xFS1

Material: Holder: Diecast aluminum; powder-coated (RAL 9006)

Fastening material: Steel; galvanized

Scope of delivery: Incl. fastening material (FS)

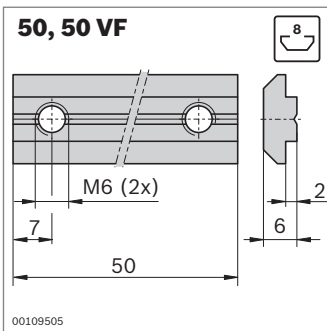




Profile connector



- ▶ Profile connector for the end-face connection of any profiles
- ▶ For an especially strong connection: One profile connector per slot
- ▶ Profile finishing: Not required




Profile connector	⌚ (Nm)	Slot	📦	No.	FS
50 VF	10	8	10	3 842 536 787	2xFS2
50	8.5	8	1	3 842 518 427	2xFS1

Material: Steel; galvanized; fastening material: Steel; galvanized


Scope of delivery: Incl. fastening material (FS)

FS1

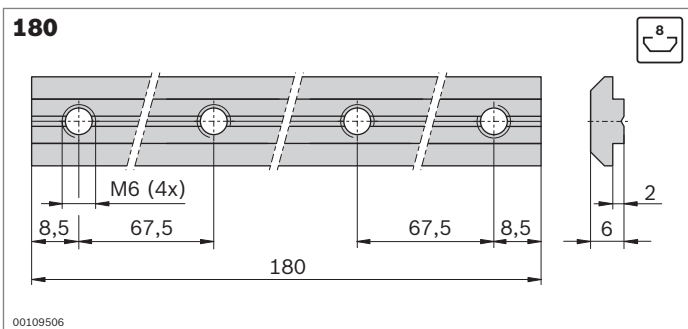


DIN 913
M6x10

FS2



M6x8
ISO 4762
A6,4




Profile connector	⌚ (Nm)	Slot	No.	FS
180	10	8	3 842 521 216	4xFS3


Material: Steel; galvanized; fastening material: Steel; galvanized

Scope of delivery: Incl. fastening material (FS)

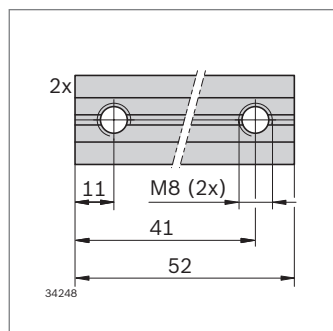
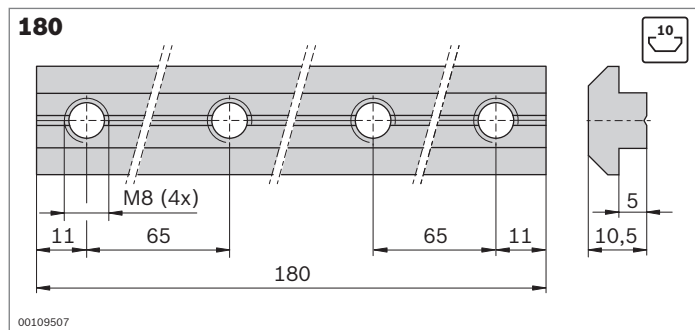
FS3



DIN 4762
M6x10



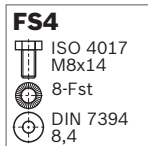
DIN 7349
6,4



Profile connector	⌚ (Nm)	Slot	No.	FS
180	25	10	3 842 528 746	4xFS4

Material: Steel; galvanized; fastening material: Steel; galvanized

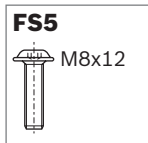
Scope of delivery: Incl. fastening material (FS)

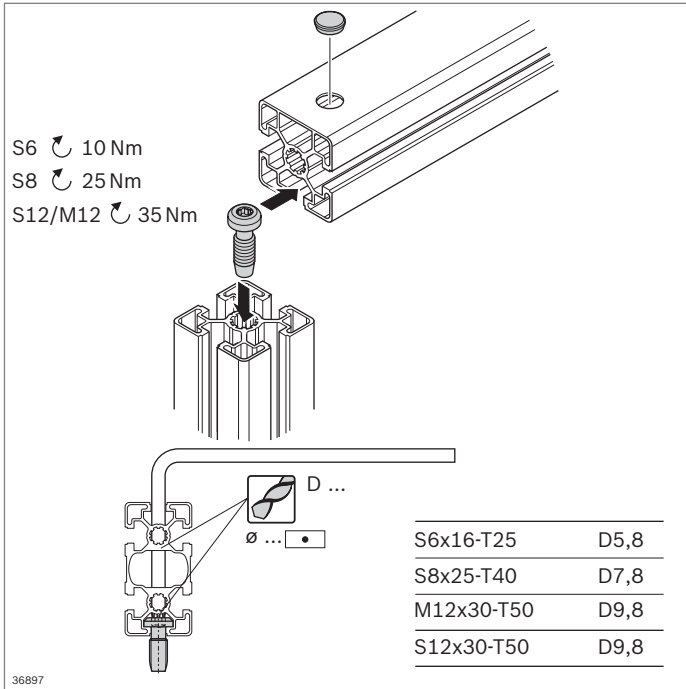


Connection kit	⌚ (Nm)	Slot	📦 No.	FS
	18	10	Set 3 842 529 881	4xFS5

Material: Steel; galvanized; fastening material: Steel; galvanized

Scope of delivery: Set (2 pieces); incl. fastening material





Central bolt, Anti-torsion element, cover cap

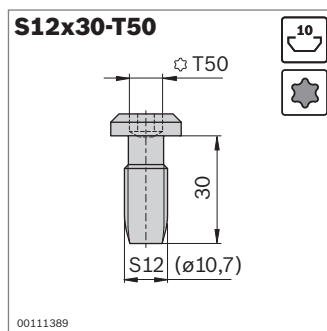
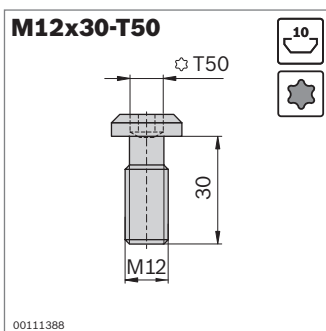
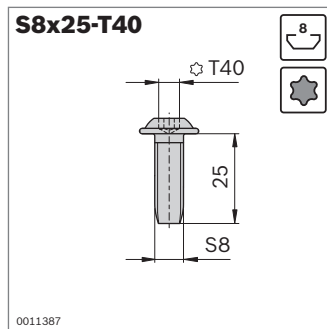
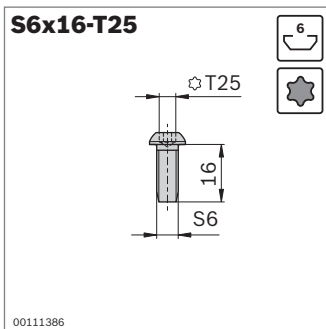


Central bolt

- ▶ Best-value connection element
- ▶ Self-tapping screw, can be mounted without profile finishing
- ▶ Profile finishing:
 - Thread cutting for M12x30 screw
 - Through-hole for screwdriver/offset screwdriver

Tools:

Offset screwdriver (p. 14-5)



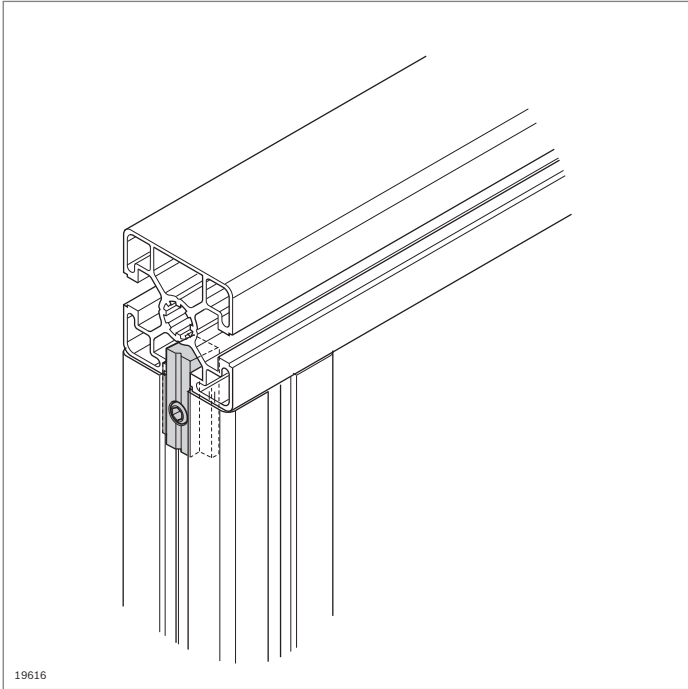
Central bolt	Slot	ESD	No.
S6x16-T25 (self-tapping)	6		100 3 842 528 593
S8x25-T40 (self-tapping)	8		100 3 842 527 174

Material: Steel; galvanized

Central bolt	Slot	ESD	No.
M12x30-T50	10		100 3 842 530 235
S12x30-T50 (self-tapping)	10		100 3 842 530 236

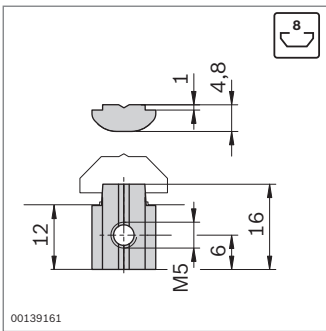
Material: Steel; galvanized


Size		
S6	500 N	8 Nm
S8	800 N	43 Nm
S12	1300 N	80 Nm
M12	3000 N	80 Nm



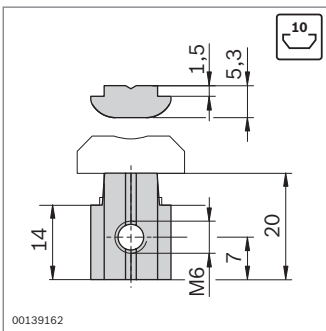
Anti-torsion element


- ▶ Provides torsion resistance for profile connections with central bolts or quick connectors
- ▶ Subsequent installation in the connection possible



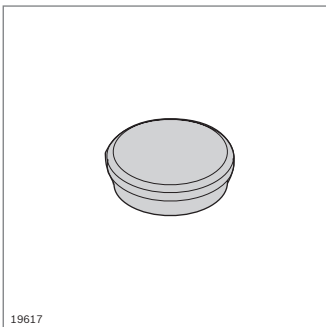
Anti-torsion element	Slot		No.	FS
	8	10	3 842 530 325	FS1

Material: Steel; galvanized
Fastening material: Steel; galvanized




Anti-torsion element	Slot		No.	FS
	10	10	3 842 530 326	FS2

Material: Steel; galvanized
Fastening material: Steel; galvanized

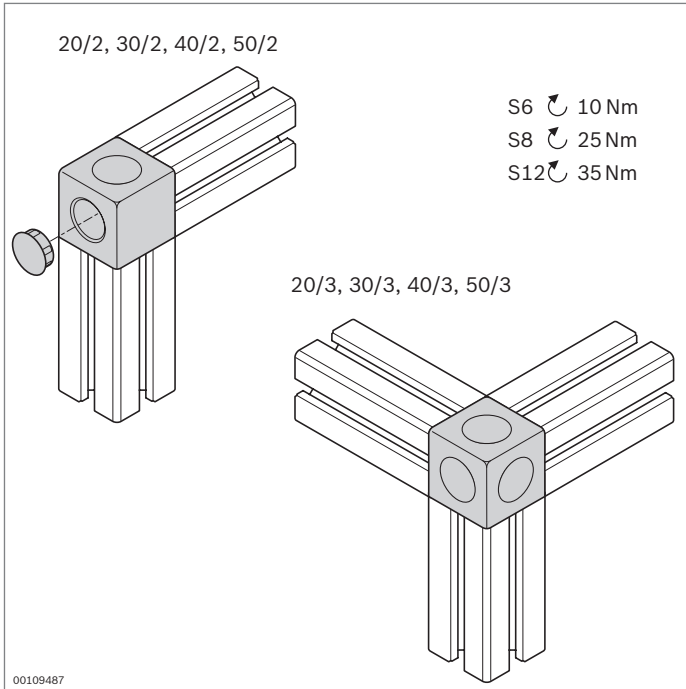


Cover cap

- ▶ For sealing through-holes in closed profiles

Cover cap	D (mm)		No.
	5.8	100	3 842 551 032
	7.8	100	3 842 551 034
	9.8	100	3 842 551 036

Material: PA; signal gray RAL 7004

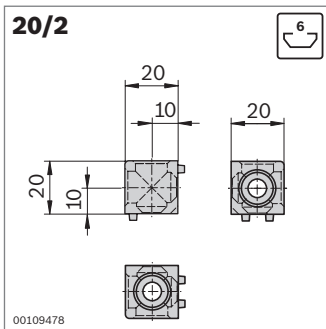


Cubic connector

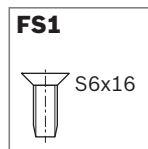


- ▶ For torsion-proof corner connections of profiles with equivalent cross-sections
- ▶ *designLINE* version with special silver paint (RAL 9006) for an attractive, high-quality design
- ▶ Cover caps to cover the openings
- ▶ Screw fitting on profile with self-tapping screws
- ▶ Profile finishing: Not required

Technical data (p. 18-18)



Type	M _{max}
20/2	18 Nm

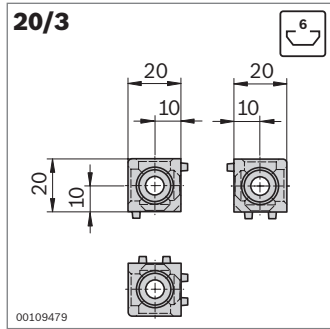


Cubic connector 20/2	Slot	ESD		No.	FS
Set (standard), signal gray	6		*	1	3 842 549 858 2xFS1
<i>designLINE</i> set, signal gray	6		*	1	3 842 549 859 2xFS1
Cubic connector	6			20	3 842 523 875
Cover cap	signal gray (PP)			100	3 842 548 700
D12	black (PP)			100	3 842 548 704
Countersunk screw S6x16	6			100	3 842 517 132

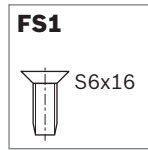
Material: Cubic connector: Diecast aluminum
designLINE cubic connector: painted (RAL 9006)
Fastening material: Steel; galvanized

Scope of delivery: Set incl. fastening material (FS), cover caps

* Cubic connector creates conductive connection, but the cover caps included in the set are not ESD-compatible.



Type	
20/3	23 Nm

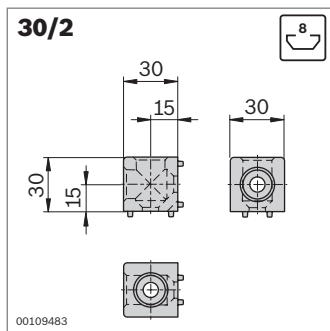


Cubic connector 20/3	Slot	ESD		No.	FS
Set (standard), signal gray	6		*	1	3 842 549 860 3xFS1
<i>designLINE</i> set, signal gray	6		*	1	3 842 549 861 3xFS1
Cubic connector	6			20	3 842 523 872
Cover cap	signal gray (PP)			100	3 842 548 700
D12	black (PP)			100	3 842 548 704
Countersunk screw S6x16	6			100	3 842 517 132

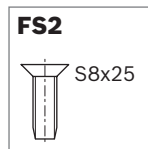
Material: Cubic connector: Diecast aluminum
designLINE cubic connector: painted (RAL 9006)
 Fastening material: Steel; galvanized

Scope of delivery: Set incl. fastening material (FS), cover caps

* Cubic connector creates conductive connection, but the cover caps included in the set are not ESD-compatible.



Type	
30/2	80 Nm

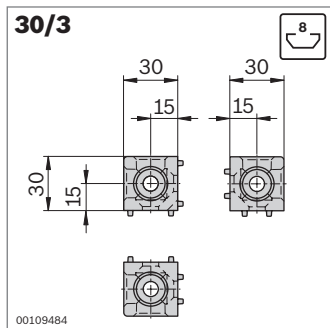


Cubic connector 30/2	Slot	ESD		No.	FS
Set (standard), signal gray	8		*	1	3 842 549 862 2xFS2
<i>designLINE</i> set, signal gray	8		*	1	3 842 549 863 2xFS2
Cubic connector	8			20	3 842 523 876
Cover cap	signal gray (PP)			100	3 842 548 701
D18	black (PP)			100	3 842 548 705
Countersunk screw S8x25	8			100	3 842 517 543

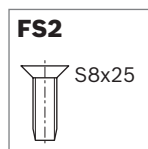
Material: Cubic connector: Diecast aluminum
designLINE cubic connector: painted (RAL 9006)
 Fastening material: Steel; galvanized

Scope of delivery: Set incl. fastening material (FS), cover caps

* Cubic connector creates conductive connection, but the cover caps included in the set are not ESD-compatible.



Type	
30/3	85 Nm

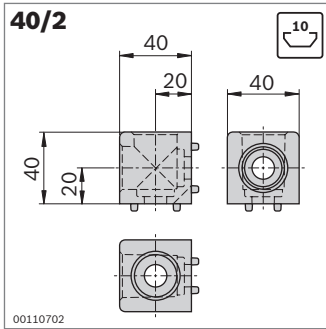


Cubic connector 30/3	Slot	ESD		No.	FS
Set (standard), signal gray	8		*	1	3 842 549 864 3xFS2
<i>designLINE</i> set, signal gray	8		*	1	3 842 549 865 3xFS2
Cubic connector	8			20	3 842 523 873
Cover cap	signal gray (PP)			100	3 842 548 701
D18	black (PP)			100	3 842 548 705
Countersunk screw S8x25	8			100	3 842 517 543

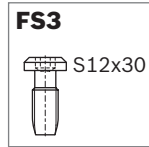
Material: Cubic connector: Diecast aluminum
designLINE cubic connector: painted (RAL 9006)
 Fastening material: Steel; galvanized

Scope of delivery: Set incl. fastening material (FS), cover caps

* Cubic connector creates conductive connection, but the cover caps included in the set are not ESD-compatible.



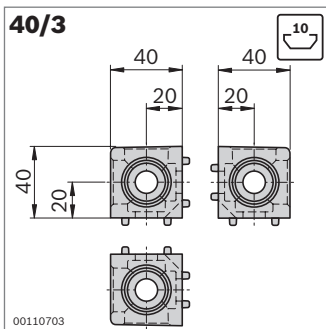
Type	
40/2	60 Nm



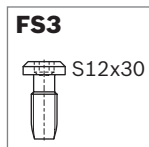
Cubic connector 40/2	Slot	ESD	No.	FS
Set (standard), signal gray	10		1	3 842 549 866 2xFS3
<i>designLINE</i> set, signal gray	10		1	3 842 549 867 2xFS3
Cubic connector	10		20	3 842 529 010
Cover cap	signal gray (PP)		100	3 842 548 702
D24	black (PP)		100	3 842 548 706
Screw S12x30	10		100	3 842 530 236

Material: Cubic connector: Diecast aluminum
designLINE cubic connector: painted (RAL 9006)
 Fastening material: Steel; galvanized

Scope of delivery: Set incl. fastening material (FS), cover caps
 * Cubic connector creates conductive connection, but the cover caps included in the set are not ESD-compatible.



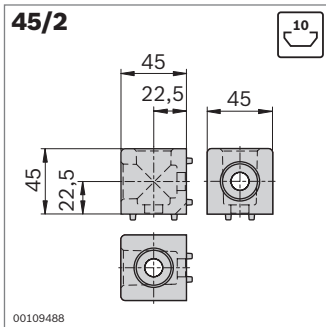
Type	
40/3	70 Nm



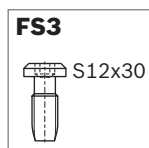
Cubic connector 40/3	Slot	ESD	No.	FS
Set (standard), signal gray	10		1	3 842 549 868 3xFS3
<i>designLINE</i> set, signal gray	10		1	3 842 549 869 3xFS3
Cubic connector	10		20	3 842 529 011
Cover cap	signal gray (PP)		100	3 842 548 702
D24	black (PP)		100	3 842 548 706
Screw S12x30	10		100	3 842 530 236

Material: Cubic connector: Diecast aluminum
designLINE cubic connector: painted (RAL 9006)
 Fastening material: Steel; galvanized

Scope of delivery: Set incl. fastening material (FS), cover caps
 * Cubic connector creates conductive connection, but the cover caps included in the set are not ESD-compatible.



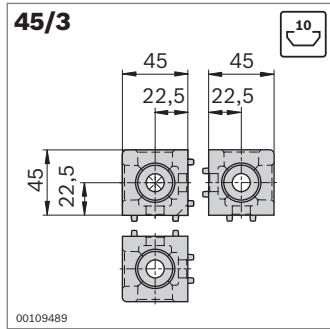
Type	
45/2	45x45L 150 Nm
	45x45 200 Nm



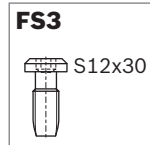
Cubic connector 45/2	Slot	ESD	No.	FS
Set (standard), signal gray	10		1	3 842 549 870 2xFS3
<i>designLINE</i> set, signal gray	10		1	3 842 549 871 2xFS3
Cubic connector	10		20	3 842 523 877
Cover cap	signal gray (PP)		100	3 842 548 702
D24	black (PP)		100	3 842 548 706
Screw S12x30	10		100	3 842 530 236

Material: Cubic connector: Diecast aluminum
designLINE cubic connector: painted (RAL 9006)
 Fastening material: Steel; galvanized

Scope of delivery: Set incl. fastening material (FS), cover caps
 * Cubic connector creates conductive connection, but the cover caps included in the set are not ESD-compatible.



Type		
45/3	45x45L	170 Nm
	45x45	240 Nm

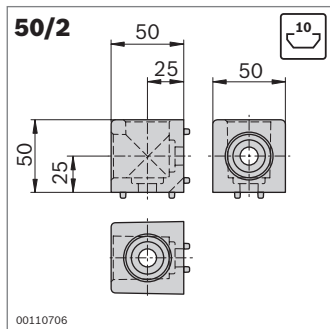


Cubic connector 45/3	Slot	ESD	No.	FS	
Set (standard), signal gray	10		1	3 842 549 872	3xFS3
<i>designLINE</i> set, signal gray	10		1	3 842 549 873	3xFS3
Cubic connector	10		20	3 842 523 874	
Cover cap	signal gray (PP)		100	3 842 548 702	
D24	black (PP)		100	3 842 548 706	
Screw S12x30	10		100	3 842 530 236	

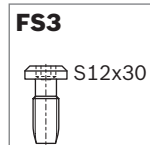
Material: Cubic connector: Diecast aluminum
designLINE cubic connector: painted (RAL 9006)
 Fastening material: Steel; galvanized

Scope of delivery: Set incl. fastening material (FS), cover caps

* Cubic connector creates conductive connection, but the cover caps included in the set are not ESD-compatible.



Type		
50/2		120 Nm

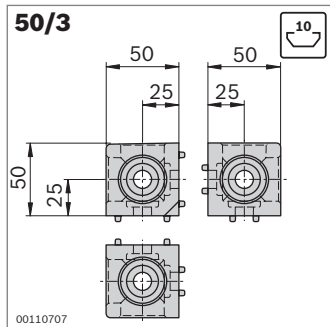


Cubic connector 50/2	Slot	ESD	No.	FS	
Set (standard), signal gray	10		1	3 842 549 874	2xFS3
Cubic connector	10		20	3 842 529 012	
Cover cap	signal gray (PP)		100	3 842 548 703	
D30	black (PP)		100	3 842 548 707	
Screw S12x30	10		100	3 842 530 236	

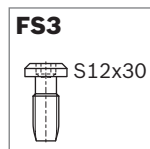
Material: Cubic connector: Diecast aluminum
 Fastening material: Steel; galvanized

Scope of delivery: Set incl. fastening material (FS), cover caps

* Cubic connector creates conductive connection, but the cover caps included in the set are not ESD-compatible.



Type		
50/3		140 Nm

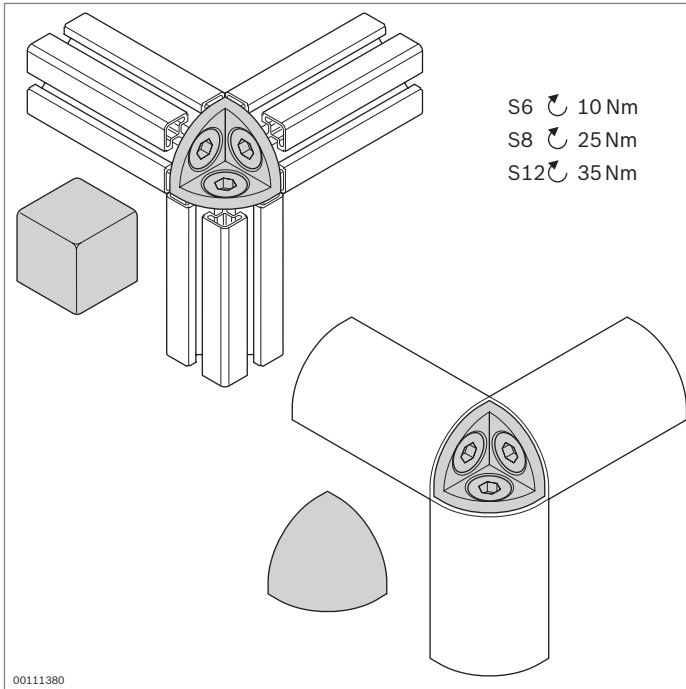


Cubic connector 50/3	Slot	ESD	No.	FS	
Set (standard), signal gray	10		1	3 842 549 876	3xFS3
Cubic connector	10		20	3 842 529 013	
Cover cap	signal gray (PP)		100	3 842 548 703	
D30	black (PP)		100	3 842 548 707	
Screw S12x30	10		100	3 842 530 236	

Material: Cubic connector: Diecast aluminum
 Fastening material: Steel; galvanized

Scope of delivery: Set incl. fastening material (FS), cover caps

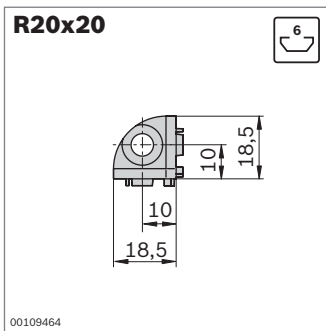
* Cubic connector creates conductive connection, but the cover caps included in the set are not ESD-compatible.



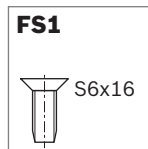
Corner bracket



- ▶ Corner bracket for corner connection of three square or half-round profiles with equivalent cross-sections
- ▶ Screw fitting on profiles with self-tapping screws
- ▶ Ball or cubic-shaped cover caps to prevent injuries and avoid dirt
- ▶ Profile finishing: Not required

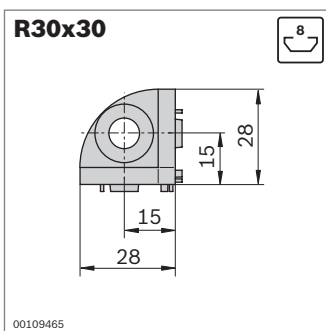


Type	
20/3	23 Nm

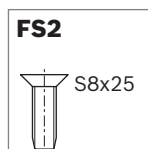


R20x20	Slot	ESD	No.	FS
Corner bracket	6		1 3 842 519 318	3xFS1
Cover cap	signal gray (PP)		10 3 842 548 708	
K (ball)	black (PP)		10 3 842 548 712	
Cover cap	signal gray (PP)		10 3 842 548 716	
W (cube)	black (PP)		10 3 842 548 720	

Material: Corner bracket: Diecast zinc
Fastening material: Steel; galvanized
Scope of delivery: Incl. fastening material (FS)

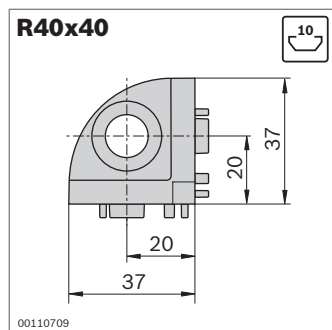


Type	
30/3	85 Nm

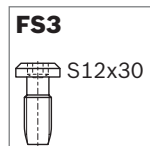


R30x30	Slot	ESD	No.	FS
Corner bracket	8		1 3 842 519 319	3xFS2
Cover cap	signal gray (PP)		10 3 842 548 709	
K (ball)	black (PP)		10 3 842 548 713	
Cover cap	signal gray (PP)		10 3 842 548 717	
W (cube)	black (PP)		10 3 842 548 721	

Material: Corner bracket: Diecast zinc
Fastening material: Steel; galvanized
Scope of delivery: Incl. fastening material (FS)

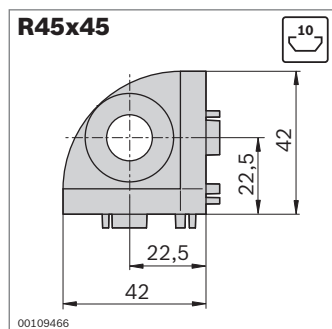


Type	
40/3	70 Nm

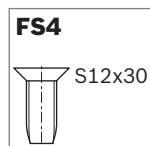


R40x40	Slot	ESD		No.	FS
Corner bracket	10		1	3 842 529 404	3xFS3
Cover cap K (ball)	signal gray (PP)			10	3 842 548 710
	black (PP)			10	3 842 548 714
Cover cap W (cube)	signal gray (PP)			10	3 842 548 718
	black (PP)			10	3 842 548 722

Material: Corner bracket: Diecast zinc
Fastening material: Steel; galvanized
Scope of delivery: Incl. fastening material (FS)

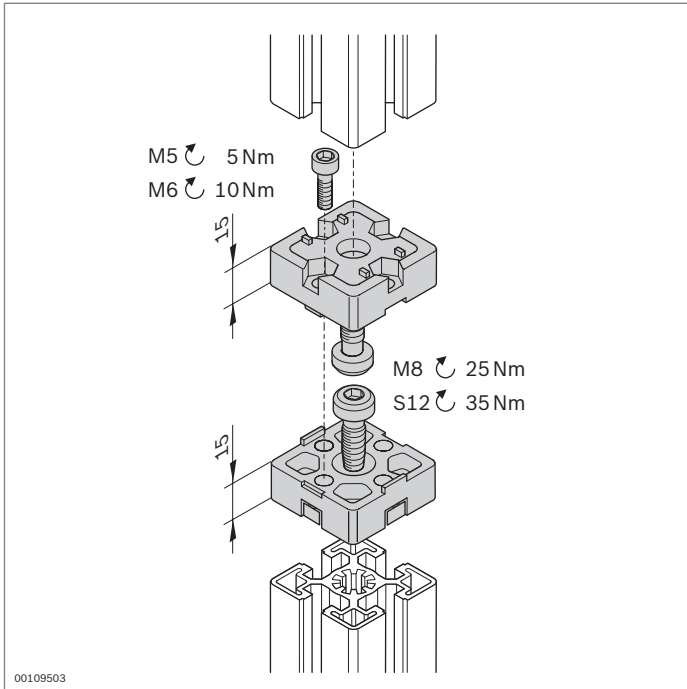


Type	
45/3	170 Nm
45x45L	170 Nm
45x45	240 Nm

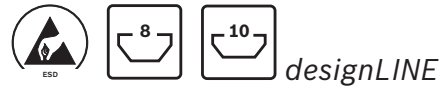


R45x45	Slot	ESD		No.	FS
Corner bracket	10		1	3 842 519 321	3xFS4
Cover cap K (ball)	signal gray (PP)			10	3 842 548 711
	black (PP)			10	3 842 548 715
Cover cap W (cube)	signal gray (PP)			10	3 842 548 719
	black (PP)			10	3 842 548 723

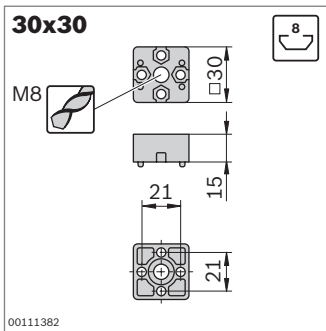
Material: Corner bracket: Diecast zinc
Fastening material: Steel; galvanized
Scope of delivery: Incl. fastening material (FS)



End connector



- ▶ For end-to-end profile connections
- ▶ *designLINE* version with special silver paint (RAL 9006) for an attractive, high-quality design
- ▶ Profile finishing:
 - 30x30: M8 thread cutting in central bores
 - 40x40, 45x45, 50x50: Not required



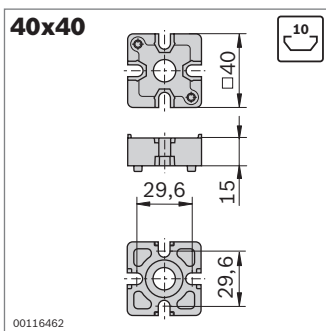
Type	M_{max}
30x30	81 Nm

FS1	FS2
DIN 7984 M8x30	DIN 7984 M5x25 DIN 934 M5

End connector	Slot	ESD	No.	FS
30x30 Set (standard)	8		3 842 526 003	2xFS1, 4xFS2
<i>designLINE</i> set	8		3 842 538 656	2xFS1, 4xFS2

Material: End connector: Diecast aluminum
designLINE end connector: painted (RAL 9006)
 Fastening material: Steel; galvanized

Scope of delivery: Set incl. fastening material (FS)



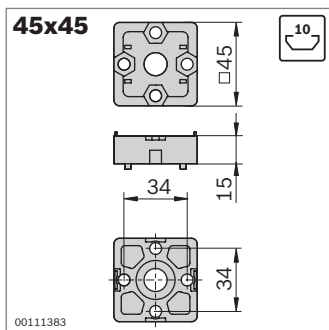
Type	M_{max}
40x40	170 Nm

FS3	FS4
S12x30	DIN 7984 M6x25 DIN 4032 M6

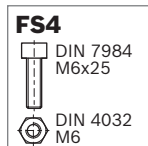
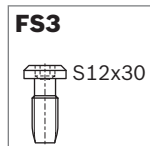
End connector	Slot	ESD	No.	FS
40x40 Set (standard)	10		3 842 532 196	2xFS3, 4xFS4
<i>designLINE</i> set	10		3 842 538 657	2xFS3, 4xFS4

Material: End connector: Diecast aluminum
designLINE end connector: painted (RAL 9006)
 Fastening material: Steel; galvanized

Scope of delivery: Set incl. fastening material (FS)

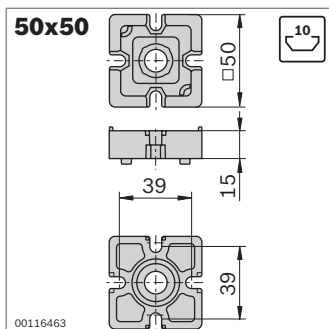


Type	
45x45	200 Nm

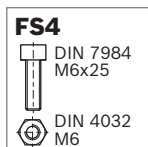
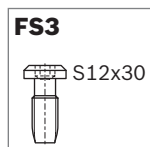


End connector	Slot	ESD No.	FS
45x45 Set (standard)	10	3 842 191 175	2xFS3, 4xFS4
<i>designLINE</i> set	10	3 842 538 658	2xFS3, 4xFS4

Material: End connector: Diecast zinc
designLINE end connector: painted (RAL 9006)
 Fastening material: Steel; galvanized
 Scope of delivery: Set incl. fastening material (FS)

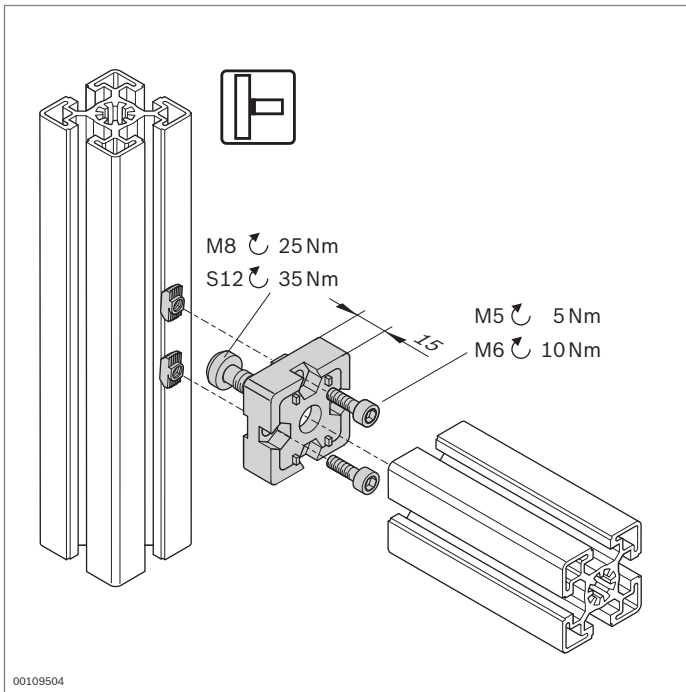


Type	
50x50	180 Nm



End connector	Slot	ESD No.	FS
50x50 Set (standard)	10	3 842 532 199	2xFS3, 4xFS4

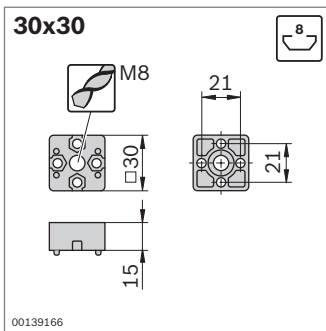
Material: End connector: Diecast zinc
 Fastening material: Steel; galvanized
 Scope of delivery: Set incl. fastening material (FS)



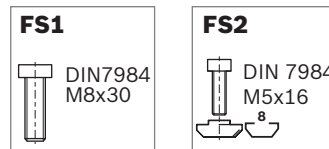
T-connector



- ▶ For right-angled profile connections
- ▶ *designLINE* version with special silver paint (RAL 9006) for an attractive, high-quality design
- ▶ Profile finishing:
 - 30x30: M8 thread cutting in central bores
 - 40x40, 45x45, 50x50: Not required



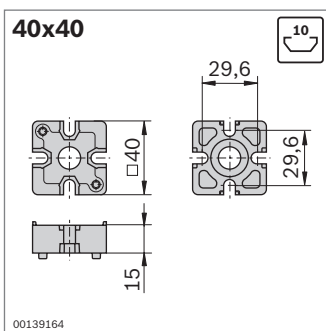
Type	F_{max}	M_{max}
30x30	4000 N	80 Nm



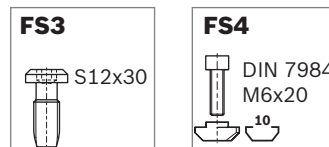
T-connector	Slot	ESD No.	FS
30x30 Set (standard)	8	3 842 524 476	1xFS1, 2xFS2
<i>designLINE</i> set	8	3 842 538 696	1xFS1, 2xFS2

Material: T-connector: Diecast aluminum
designLINE T-connector: painted (RAL 9006)
 Fastening material: Steel; galvanized

Scope of delivery: Set incl. fastening material (FS)



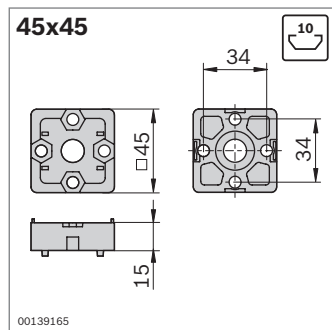
Type	F_{max}	M_{max}
40x40	9000 N	150 Nm



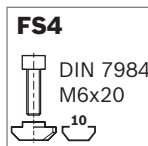
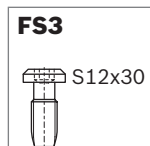
T-connector	Slot	ESD No.	FS
40x40 Set (standard)	10	3 842 532 195	1xFS3, 2xFS4
<i>designLINE</i> set	10	3 842 538 697	1xFS3, 2xFS4

Material: T-connector: Diecast aluminum
designLINE T-connector: painted (RAL 9006)
 Fastening material: Steel; galvanized

Scope of delivery: Set incl. fastening material (FS)

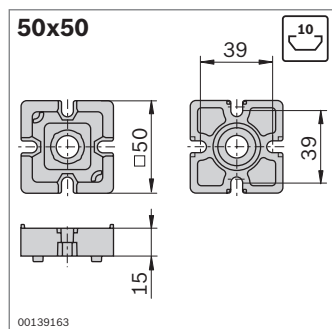


Type	F_{max}	M_{max}
45x45	9000 N	200 Nm

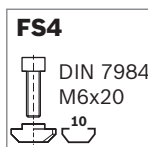
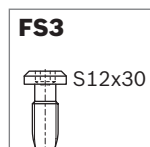


T-connector	Slot ESD No.	FS
45x45 Set (standard)	10	3 842 520 802 1xFS3, 2xFS4
<i>designLINE</i> set	10	3 842 538 698 1xFS3, 2xFS4

Material: T-connector: Diecast zinc
designLINE T-connector: painted (RAL 9006)
 Fastening material: Steel; galvanized
 Scope of delivery: Set incl. fastening material (FS)

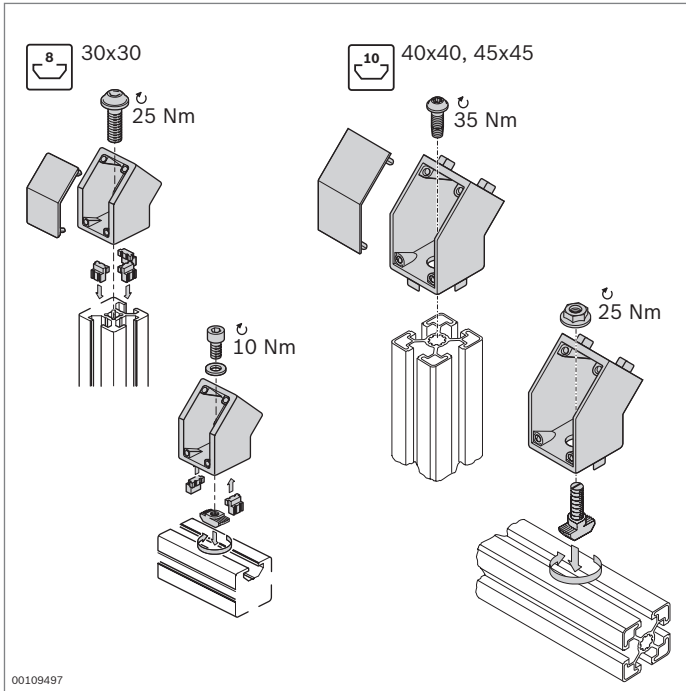


Type	F_{max}	M_{max}
50x50	10000 N	170 Nm

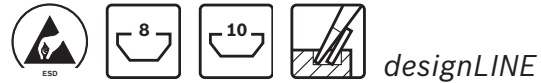


T-connector	Slot ESD No.	FS
50x50 Set (standard)	10	3 842 532 198 1xFS3, 2xFS4

Material: T-connector: Diecast zinc
 Fastening material: Steel; galvanized
 Scope of delivery: Set incl. fastening material (FS)

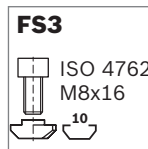
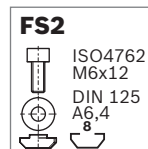
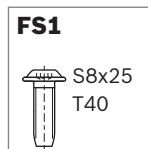
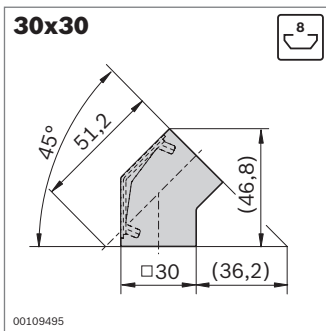


Connector 45°



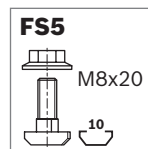
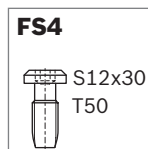
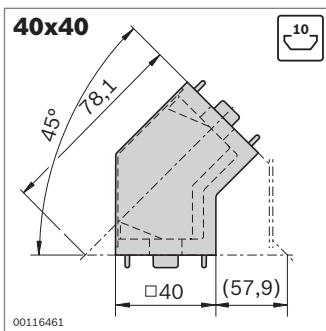
- ▶ For connecting profiles at an angle of less than 45°
- ▶ Suitable for reinforcing frames
- ▶ Suitable for connections at the end-face or in the profile slot
- ▶ Connectors 45° 40x40 and 45x45 with centering lugs for easy positioning (centering lugs can simply be broken off for installation in the profile slot)
- ▶ *designLINE* version with special silver paint (RAL 9006) for an attractive, high-quality design
- ▶ Profile finishing: Not required

* Connector 45° creates conductive connection, but the cover caps included in the set are not ESD-compatible.



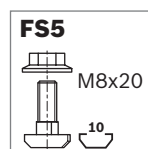
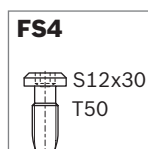
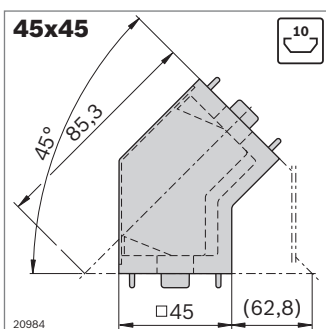
Connector 45°	Color	Slot	ESD No.	FS
30x30 Set (standard)	Signal gray	8	⚡* 3 842 554 446	2xFS1,
	Black	8	⚡* 3 842 554 447	FS2, FS3
Set <i>designLINE</i>	Signal gray	8	⚡* 3 842 554 452	2xFS1,
	Black	8	⚡* 3 842 554 453	FS2, FS3

Material: Connector 45°: Diecast zinc; connector 45° *designLINE*: painted (RAL 9006); centering piece, cover cap: PP; fastening material: Steel; galvanized
 Scope of delivery: Set incl. fastening material (FS), 6 x centering piece, cover cap



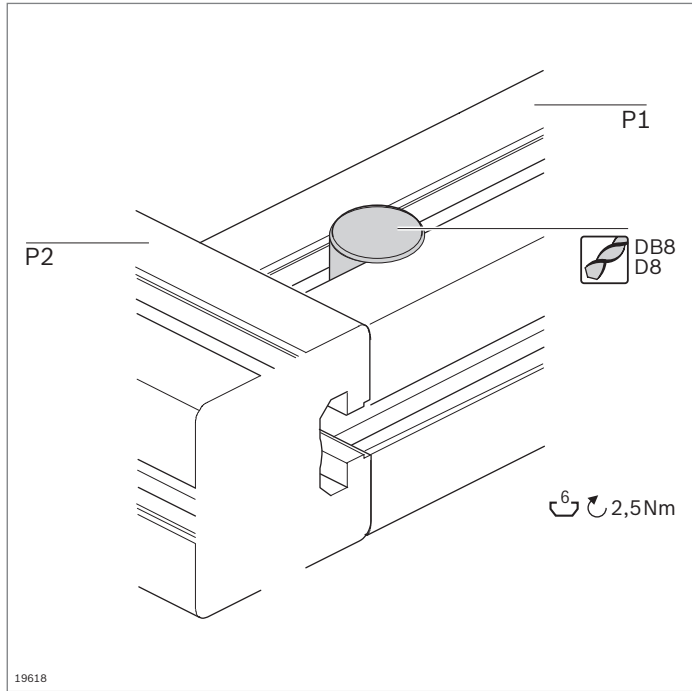
Connector 45°	Color	Slot	ESD No.	FS
40x40 Set (standard)	Signal gray	10	⚡* 3 842 554 448	2xFS4,
	Black	10	⚡* 3 842 554 449	FS5
Set <i>designLINE</i>	Signal gray	10	⚡* 3 842 554 454	2xFS4,
	Black	10	⚡* 3 842 554 455	FS5

Material: Connector 45°: Cast aluminum; connector 45° *designLINE*: painted (RAL 9006); centering piece, cover cap: PP; fastening material: Steel; galvanized
 Scope of delivery: Set incl. fastening material (FS), cover cap



Connector 45°	Color	Slot	ESD No.	FS
45x45 Set (standard)	Signal gray	10	⚡* 3 842 554 450	2xFS4,
	Black	10	⚡* 3 842 554 451	FS5
Set <i>designLINE</i>	Signal gray	10	⚡* 3 842 554 456	2xFS4,
	Black	10	⚡* 3 842 554 457	FS5

Material: Connector 45°: Cast aluminum; connector 45° *designLINE*: painted (RAL 9006); centering piece, cover cap: PP; fastening material: Steel; galvanized
 Scope of delivery: Set incl. fastening material (FS), cover cap

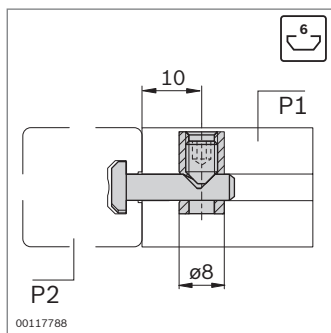
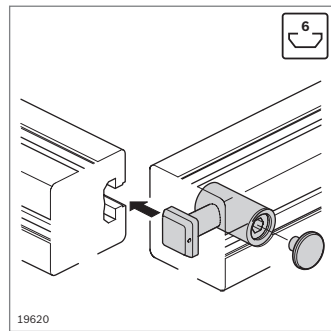
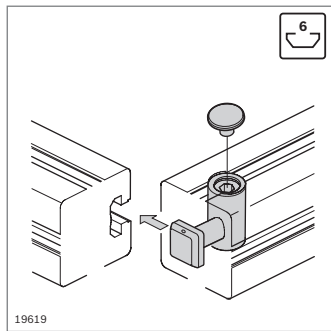


Quick connector, 6 mm slot, 0°, 90° Cover cap



- ▶ For the right-angled connecting of two profiles
- ▶ Excellent accessibility for tools during mounting
- ▶ Quick connector for 6 mm slot with square head; can be used as a 0° or 90° connector
- ▶ Profile finishing:
Blind hole DB8 or through-hole D8

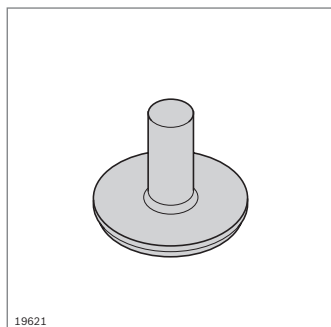
Optional accessories:
Drilling jig (p. 14-2)



Slot	F_{max}	M_{max}
6 / 6	450 N	18 Nm

Quick connector 0° / 90°	P1 / P2	D ESD (mm)	No.
	6 / 6	8	3 842 537 013

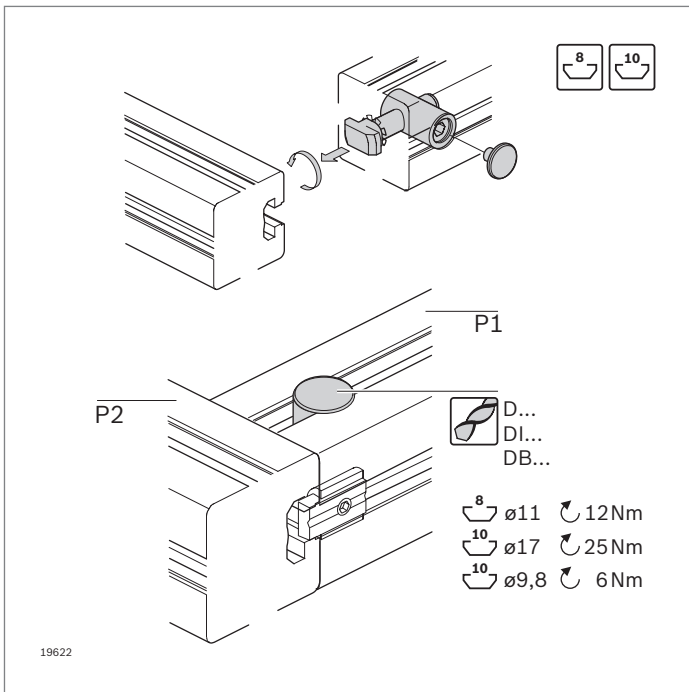
Material: Steel; stainless



- ▶ Cover cap for connector sleeves

Cover cap	D (mm)	No.
	8	3 842 551 038

Material: PE; signal gray RAL 7004



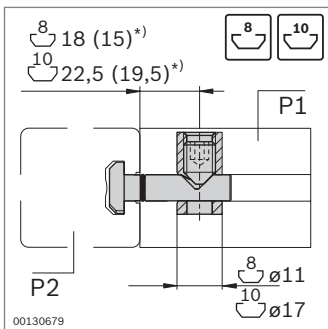
Quick connector, 8/10 mm slot, 0°



- ▶ For the right-angled connecting of two profiles
- ▶ Excellent accessibility for tools during mounting
- ▶ O-ring for fixing allows overhead assembly
- ▶ Quick connectors can be pivoted into the profile slot at the mounting location
- ▶ Profile finishing:
Blind hole DI, DB11, DB17 or
Through-hole DI, D11, D17
- ▶ Note differing drilling intervals and load-bearing capacities when using with radial compensation ("Technical data" p. 18-16)

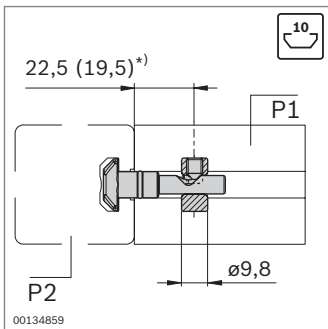
Optional accessories:

- ▶ Anti-torsion element (p. 3-42)
- ▶ Radial compensation (p. 2-85)
- ▶ Drilling jig (p. 14-2)
- ▶ Cover cap (p. 3-54)



Slot	F_{max}	M_{max}
8 / 8	500 N	40 Nm
8 / 10	2000 N	70 Nm
10 / 10	4000 N	140 Nm

*) With the use of a radial compensation



Slot	F_{max}	M_{max}
10 / 10	800 N	50 Nm

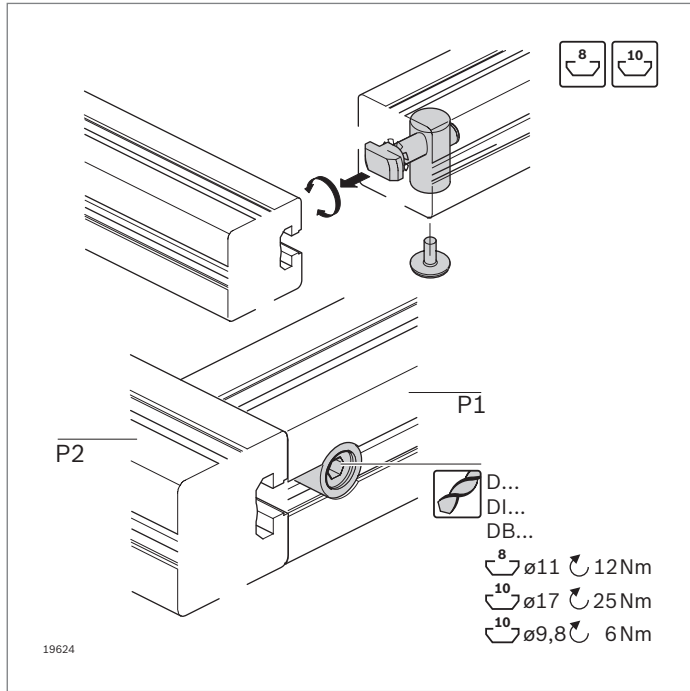
*) With the use of a radial compensation

Quick connector 0°	P1 / P2	D ESD	No.
Steel; galvanized	8 / 8	11	3 842 535 459
	8 / 10	11	3 842 535 464
	10 / 10	17	3 842 535 458
Steel; stainless	8 / 8	11	3 842 548 934
	8 / 10	11	3 842 548 935
	10 / 10	17	3 842 548 936

- ▶ Quick connector 9.8 with smaller connector sleeve
- ▶ The hole for the connector sleeve does not make contact with the slot flanks. This permits a visually attractive connection; the slot can be completely closed with the cover profile

Quick connector 0°, connector sleeve D = 9.8	P1 / P2	D ESD	No.
Steel; galvanized	10 / 10	9.8 ¹⁾	3 842 541 412

¹⁾ No standard hole in modular dimensions 40, 50 and 60
Target distance from profile end: 22.5 mm



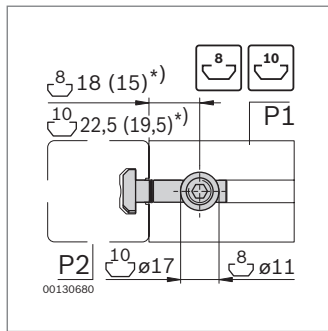
Quick connector, 8/10 mm slot, 90° Cover cap



- ▶ Tie rod head rotated at a 90° angle to the connector sleeve
- ▶ Profile finishing:
Blind hole DI, DB11, DB17 or
Through-hole DI, D11, D17

Optional accessories:

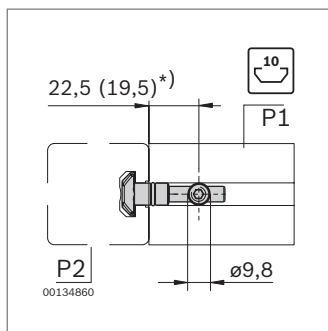
- ▶ Anti-torsion element (p. 3-42)
- ▶ Radial compensation (p. 2-85)
- ▶ Drilling jig (p. 14-2)
- ▶ Cover cap



Slot	F_{max}	M_{max}
8 / 8	500 N	40 Nm
10 / 10	4000 N	140 Nm

*) With the use of a radial compensation

Quick connector 90°	P1 / P2	D	ESD	No.
		(mm)		
Steel; galvanized	8 / 8	11	⚠	3 842 535 465
	10 / 10	17	⚠	3 842 535 466
Steel; stainless	8 / 8	11	⚠	3 842 548 937
	10 / 10	17	⚠	3 842 548 938

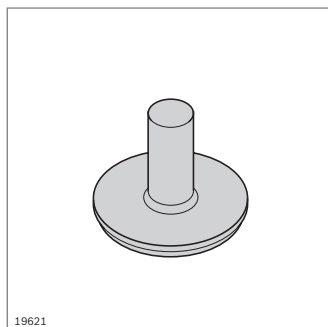


Slot	F_{max}	M_{max}
10 / 10	800 N	50 Nm

*) With the use of a radial compensation

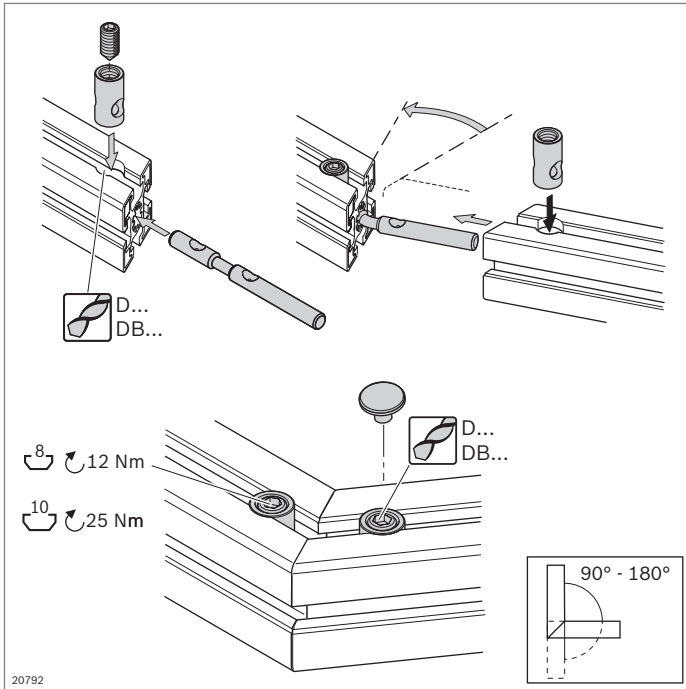
Quick connector 90°, connector sleeve D = 9.8	P1 / P2	D	ESD	No.
		(mm)		
Steel; galvanized	10 / 10	9.8 ¹⁾	⚠	3 842 541 410

¹⁾ No standard hole in modular dimensions 40, 50 and 60
Target distance from profile end: 22.5 mm

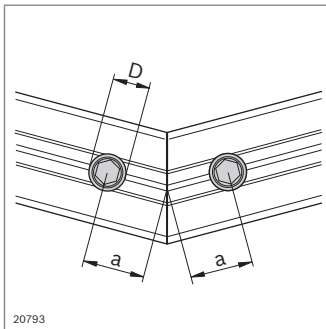


Cover cap	D	No.
	(mm)	
	11	100 3 842 551 040
	17	100 3 842 551 042

Material: PE; signal gray RAL 7004



20792



20793

Profile	M_{max}
30x30	24 Nm
40x40L	100 Nm
45x45L	110 Nm
45x45	145 Nm
50x50L	160 Nm

Quick connector, bendable – end-to-end



- ▶ For end-to-end connecting of two profiles with equal cross-sections and at any angle, e.g. for frames
- ▶ Profile finishing:
 - Blind hole DB11, DB17 or through-hole D11, D17
 - Miter cut

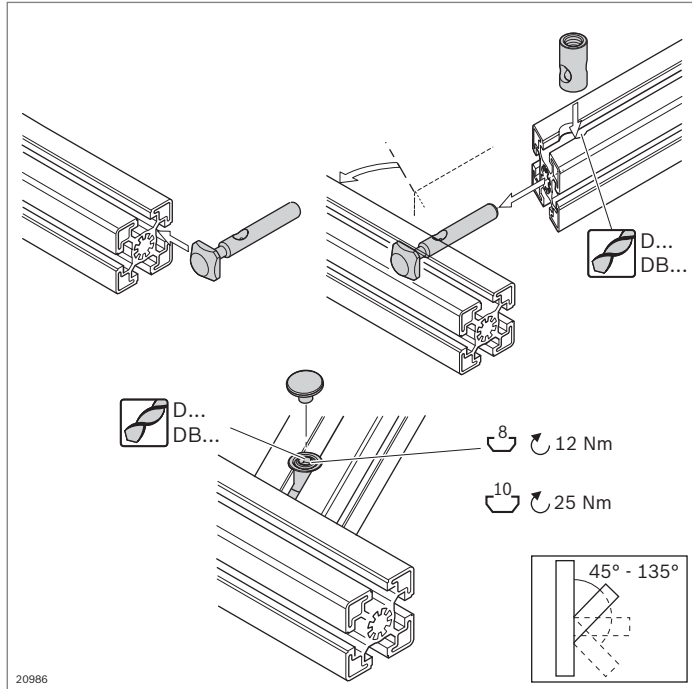
Technical data (p. 18-16)

Accessories:

- ▶ Drilling jig (p. 14-2)
- ▶ Cover cap (p. 3-54)

Quick connector, bendable	P1 / P2	a (mm)	D (mm)	ESD	No.
End-to-end	8 / 8	18	11		10 3 842 535 630
	10 / 10	22.5	17		10 3 842 535 634

Material: Tie rod: Steel; stainless
Socket: Steel; galvanized



Quick connector, bendable – end-to-slot

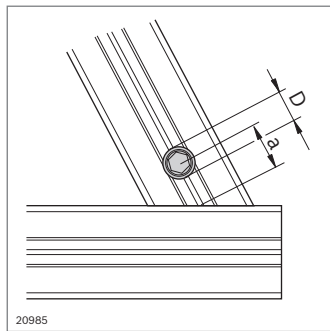


- ▶ For end-to-slot connecting of two profiles at any angle, e.g. for framework constructions
- ▶ Profile finishing:
 - Blind hole DB11, DB17 or through-hole D11, D17
 - Miter cut

Technical data (p. 18-16)

Accessories:

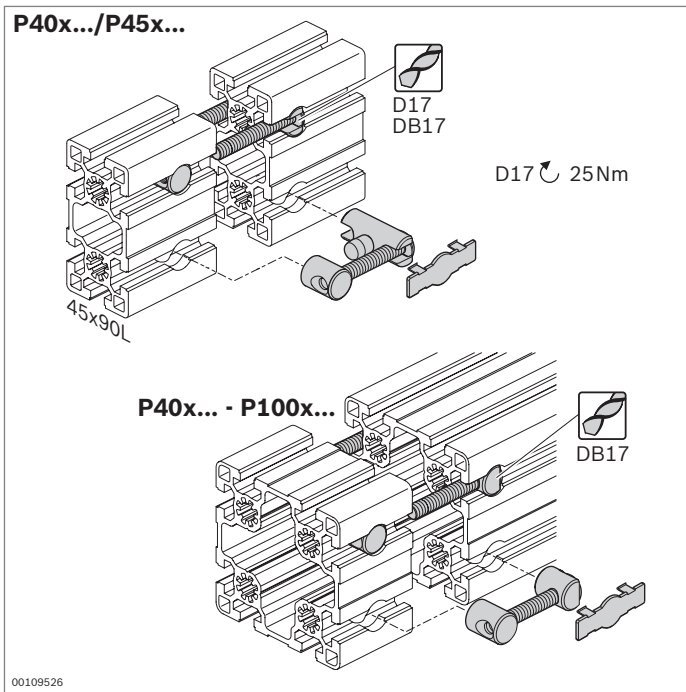
- ▶ Drilling jig (p. 14-2)
- ▶ Cover cap (p. 3-54)



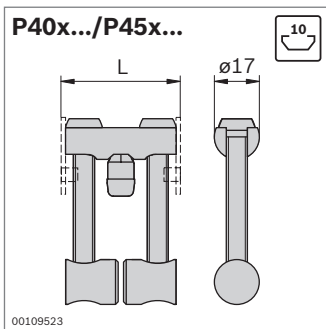
Quick connector, bendable	P1 / P2	a (mm)	D (mm)	ESD	No.
End-to-slot	8 / 8	18	11	ESD	3 842 535 629
	10 / 10	22.5	17	ESD	3 842 535 635

Material: Tie rod: Steel; stainless
Socket: Steel; galvanized

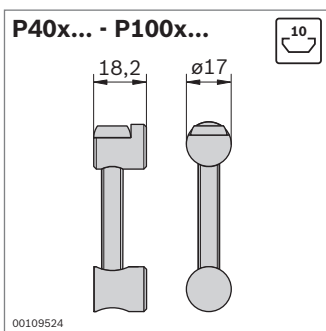
Profile	F_{max}	M_{max}	F_{max}	M_{max}
30x30	1100 N	35 Nm	650 N	40 Nm
40x40L	1500 N	110 Nm	1000 N	80 Nm
45x45L	1500 N	120 Nm	1000 N	95 Nm
45x45	1500 N	140 Nm	1100 N	180 Nm
50x50L	1500 N	150 Nm	1100 N	180 Nm



00109526



00109523



00109524

Longitudinal end connector



- ▶ For the end-to-end connecting of two profiles
- ▶ Standard profile finishing:
 - Through-hole D17 (longitudinal end connector on both sides)
 - Blind hole DB17 or through-hole D17 (longitudinal end connector on one side)

Optional accessories:

Cover cap D17 x 44.6; ESD (p. 3-61)

Longitudinal end connector, two-sided	L (mm)	ESD	No.
---------------------------------------	--------	-----	-----

Profile 40x...	40	⚡*	3 842 554 442
Profile 45x...	45	⚡*	3 842 554 440

Material: Longitudinal end connector: screw steel; galvanized
Centering pin, cover caps: PP, signal gray

Scope of delivery: Incl. 4 x cover cap

* Longitudinal end connector establishes conductive connection.
Cover caps included in the set are not ESD-compatible.

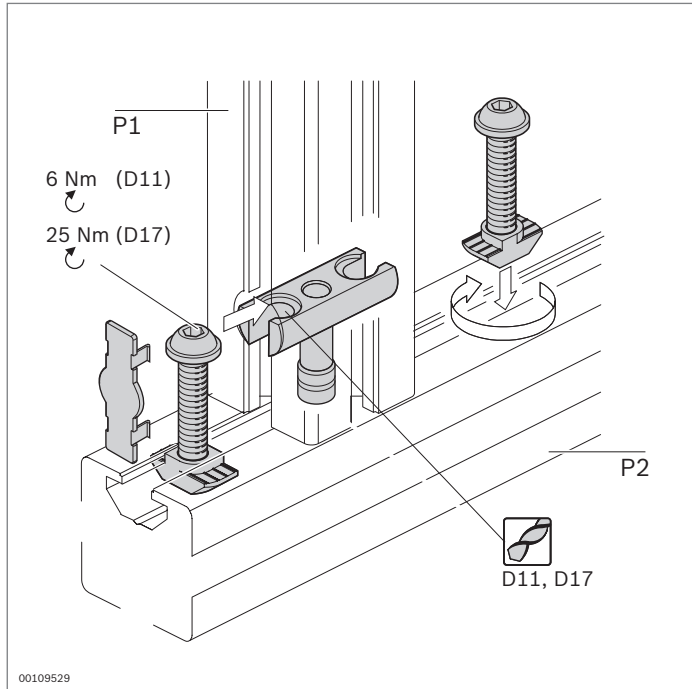
Longitudinal end connector, one-sided	ESD	No.
---------------------------------------	-----	-----

Profile 40x... – 100x...	⚡*	3 842 554 444
--------------------------	----	---------------

Material: Longitudinal end connector: screw steel; galvanized
Centering pin, cover caps: PP, signal gray

Scope of delivery: Incl. 2 x cover cap

* Longitudinal end connector establishes conductive connection.
Cover caps included in the set are not ESD-compatible.



Bolt connector



- ▶ For the right-angled connecting of two profiles
- ▶ Suitable for heavy loads, including torsional loads
- ▶ Can be mounted in closed frames
- ▶ Profile finishing: Through-hole D11, D17

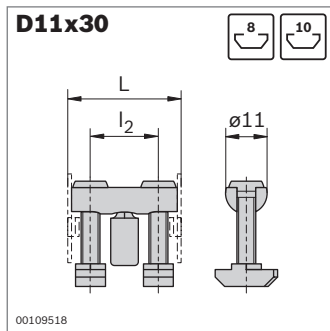
Technical data (p. 18-17)

Accessories:

Drilling jig (p. 14-2)

Optional accessories:

Cover cap ESD (p. 3-61)



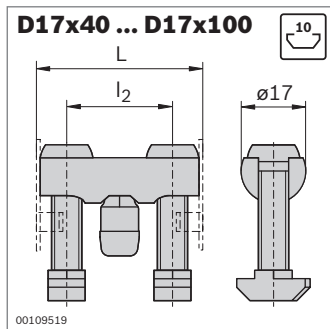
Size	F_{max}	M_{max}	M_{max}
30	2500 N	60 Nm	20 Nm

Bolt connector	P1 / P2	L (mm)	l_2 (mm)	ESD	No.
D11x30	8 / 8	30	18	⚡*	10 3 842 554 402
	8 / 10	30	18	⚡*	10 3 842 555 590

Material:

Bolt connector: Steel; galvanized
Centering pin, cover caps: PP, signal gray
* Bolt connector creates conductive connection, but the cover caps included in the set are not ESD-compatible.

Scope of delivery: Incl. 2 x cover cap



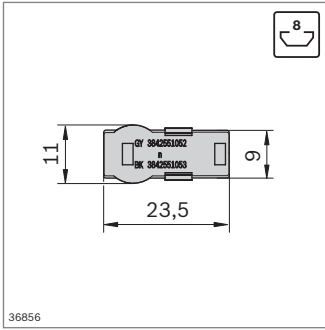
Size	F_{max}	M_{max}	M_{max}
40	4000 N	180 Nm	40 Nm
45	4000 N	180 Nm	60 Nm
50	4000 N	200 Nm	65 Nm
60	4000 N	200 Nm	80 Nm
80	5000 N	800 Nm	170 Nm
90	5000 N	800 Nm	200 Nm
100	5000 N	1000 Nm	480 Nm

Bolt connector	P1 / P2	L (mm)	l_2 (mm)	ESD	No.
D17x40	10 / 10	40	23	⚡*	10 3 842 555 594
D17x45	10 / 10	45	28	⚡*	10 3 842 555 584
D17x50	10 / 10	50	33	⚡*	10 3 842 555 596
D17x60	10 / 10	60	43	⚡*	10 3 842 555 586
D17x80	10 / 10	80	63	⚡*	10 3 842 555 598
D17x90	10 / 10	90	73	⚡*	10 3 842 555 588
D17x100	10 / 10	100	83	⚡*	10 3 842 555 592

Material:

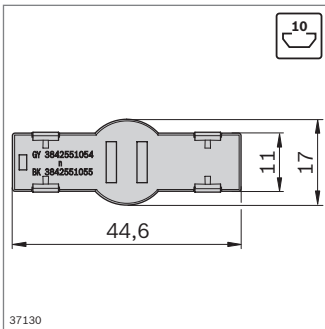
Bolt connector: Steel; galvanized
Centering pin, cover caps: PP, signal gray
* Bolt connector creates conductive connection, but the cover caps included in the set are not ESD-compatible.

Scope of delivery: Incl. 2 x cover cap



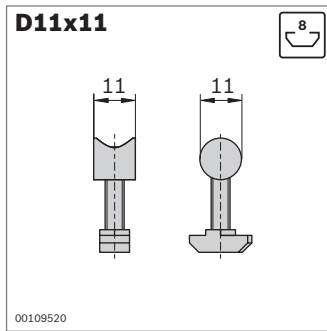
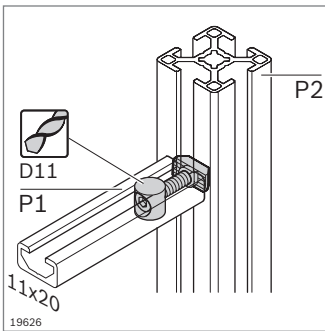
Cover cap	Color	ESD	No.
D11 x 23.5	Signal gray	100	3 842 551 052
D11 x 23.5	Black	100	3 842 551 053

Material: PP



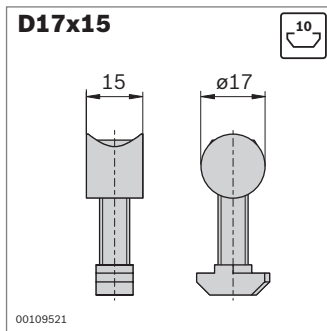
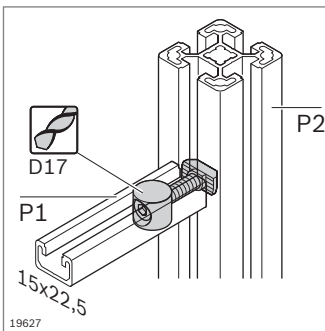
Cover cap	Color	ESD	No.
D17 x 44.6	Signal gray	100	3 842 551 054
D17 x 44.6	Black	100	3 842 551 055

Material: PP



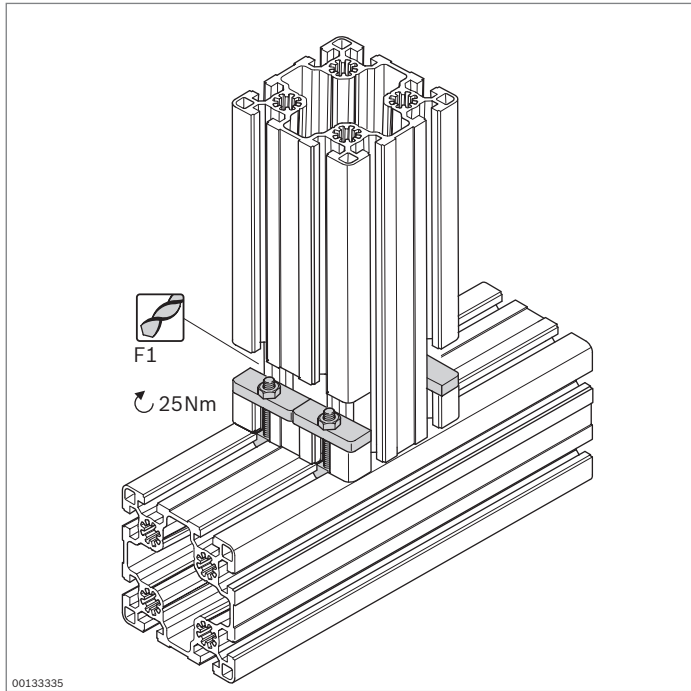
Bolt connector	P1 / P2	ESD	No.
D11x11	8 / 8	10	3 842 535 617

Material: Steel; galvanized



Bolt connector	P1 / P2	ESD	No.
D17x15	10 / 10	10	3 842 535 619

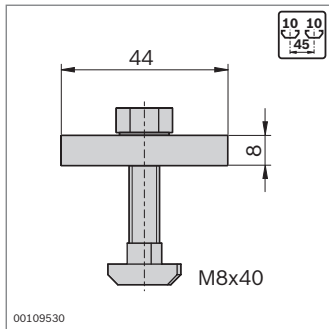
Material: Steel; galvanized



QV mounting kit



- ▶ For the right-angled connecting of two profiles
- ▶ Excellent accessibility for tools during mounting
- ▶ Profile finishing: Standard milling F1
- ▶ Bending moments must be avoided



Slot	F_{max}
10	1000 N

QV mounting kit	No.
Material: Steel; galvanized	10 3 842 146 972