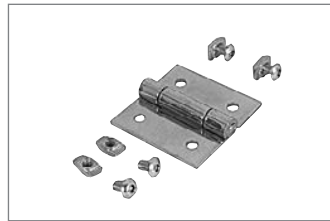


# Doors and fittings



Hinge profile (p. 8-3)



Hinge (p. 8-4)



Hinge, plastic (p. 8-5)



Hinge, aluminum (p. 8-6)



LIFTOFF hinge (p. 8-7)



Hinge, removable (p. 8-8)



Hinge, adjustable (p. 8-9)



Folding door element  
(p. 8-10)



Door lock for swing and  
sliding doors  
(p. 8-11, 8-15)



Door lock (p. 8-12)



Door lock for EcoSafe  
sliding doors (p. 8-13)



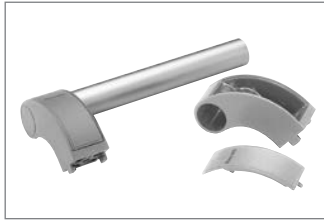
Door lock for swing doors  
(p. 8-14, 8-17)



Mortise lock for swing doors (p. 8-21)



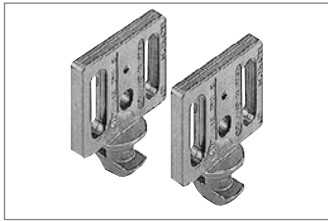
Bow-type handle (p. 8-23)



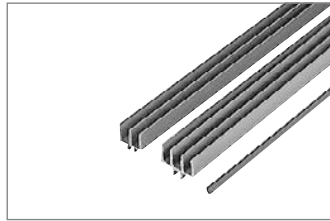
Safety handle (p. 8-24)



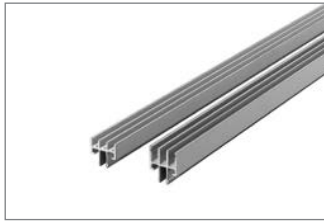
Sealing strip (p. 8-25)  
Sealing profile (p. 8-26)



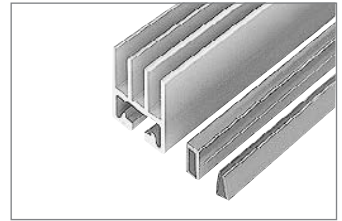
Slider (p. 8-27)



Sliding door profile PVC (p. 8-28)



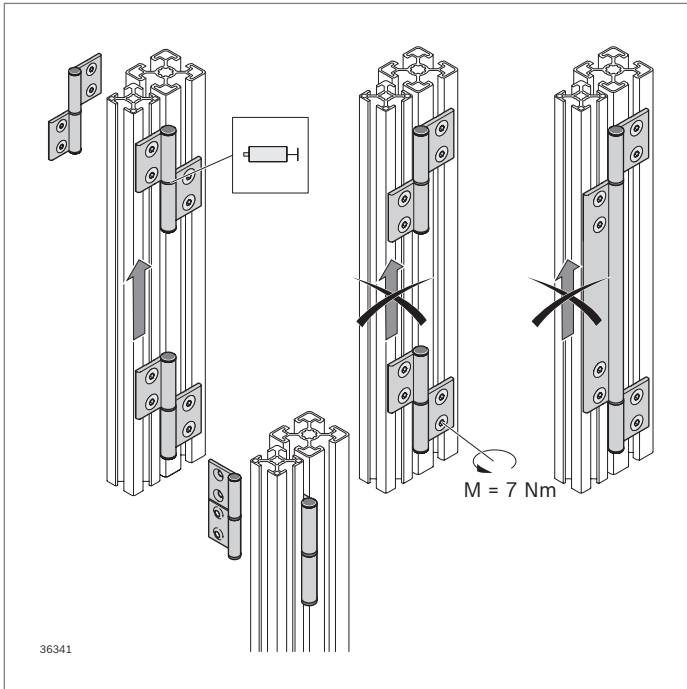
Sliding door profile Al Clip (p. 8-29)



Sliding door profile Al 45 (p. 8-30)



Edge protector, door handle profile (p. 8-32)



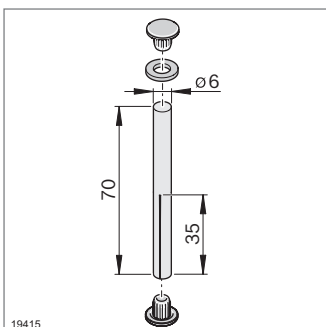
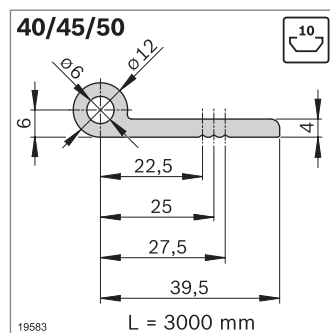
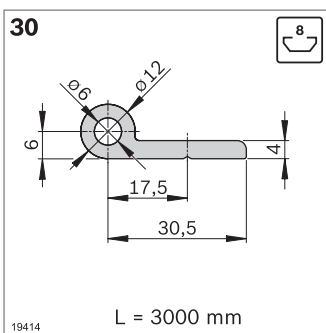
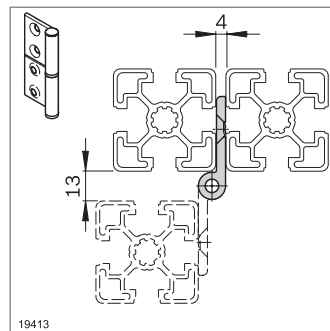
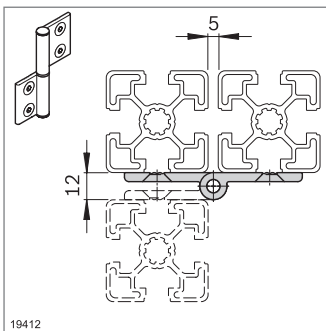
## Hinge profile



- ▶ For self-assembly of hinges or hinge bands
- ▶ Possible to use as a non-transparent hinge band to fully cover the door gap
- ▶ Hinge profiles for slot dimensions 30 and 40/45/50 can also be combined for maximum flexibility
- ▶ For doors with profile frames or doors made of solid panel elements
- ▶ Assembly on exterior or interior
- ▶ Assembly as removable and non-removable hinges
- ▶ Opening to the right and left
- ▶ Centering slots as a drill guide for mounting bores
- ▶ Required finishing:
  - Cut the hinge halves to length
  - Drill holes for fixing

### Required accessories:

- ▶ Hinge pins
- ▶ T-nut M6 (p. 3-4)
- ▶ Screw ISO 10642 M6x12 (8 mm slot)
- ▶ screw ISO 10642 M6x16 (10 mm slot)



| Hinge profile | L (mm)             | No.                     |
|---------------|--------------------|-------------------------|
| 30            | 3000 <sup>1)</sup> | 10 <b>3 842 543 371</b> |
| 40/45/50      | 3000 <sup>1)</sup> | 10 <b>3 842 543 372</b> |

<sup>1)</sup> Due to the (anodic oxidation) contact points produced in the manufacturing process, supplied in profile length of 3100 mm

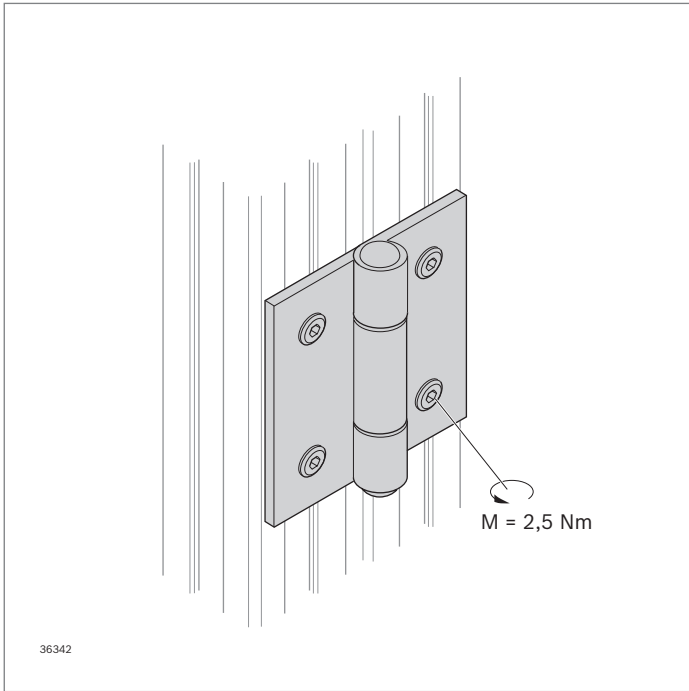
Material: Aluminum; anodized

| Slot | F <sub>max</sub> |
|------|------------------|
| 8    | 300 N            |
| 10   | 300 N            |

| Hinge pins | No.                     |
|------------|-------------------------|
|            | 10 <b>3 842 544 661</b> |

Material: Grooved pin: Steel; galvanized  
Washer, cover cap: TPE

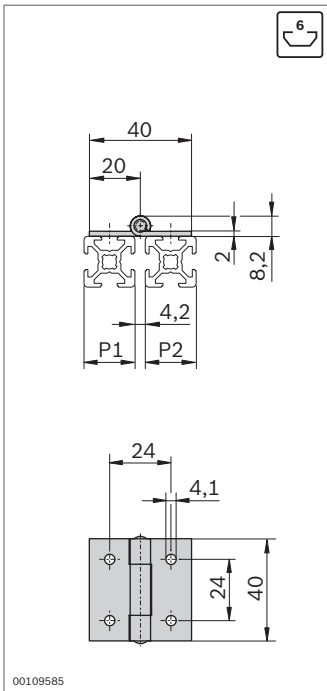
Scope of delivery: Incl. grooved pin, 2 x cover cap, washer



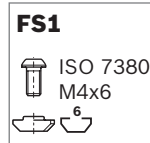
## Hinge



- ▶ Assembly possible on solid panel elements
- ▶ For small doors and flaps
- ▶ Steel hinge for profiles with 6 mm slot

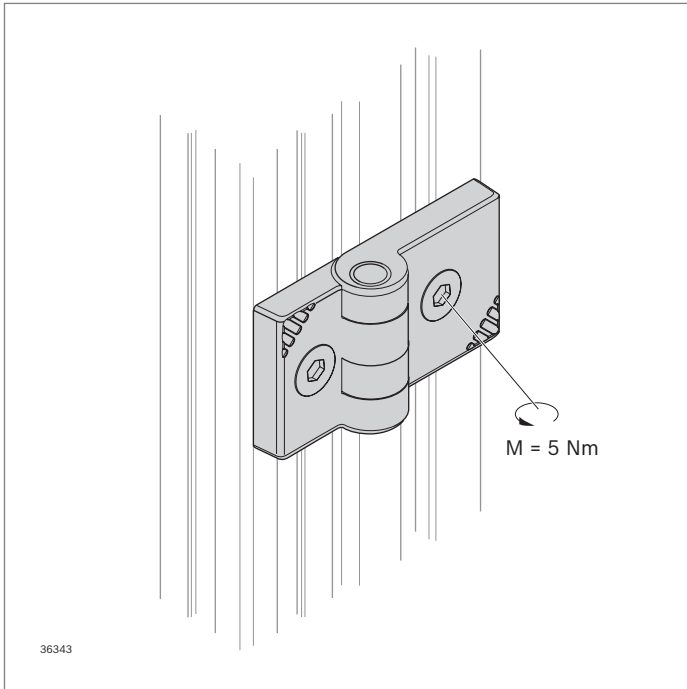


| Slot |           |
|------|-----------|
| 6    | <br>300 N |



| Hinge | P1 (mm) | P2 (mm) | ESD | No.                    | FS    |
|-------|---------|---------|-----|------------------------|-------|
|       | 20      | 20      |     | 2 <b>3 842 535 684</b> | 4xFS1 |

Material: Steel; stainless  
Fastening material: Steel; galvanized  
Scope of delivery: Incl. fastening material (FS)

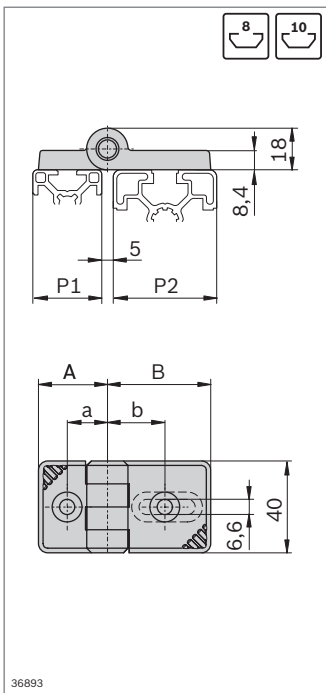


### Hinge, plastic

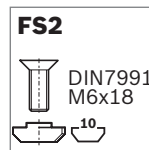
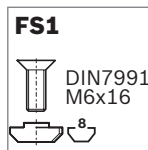


- ▶ Plastic hinge for profiles with 8 mm or 10 mm slot
- ▶ Assembly possible on solid panel elements
- ▶ Centering bolts for easing mounting and as an anti-torsion element

8



| Slot |       |
|------|-------|
| 8    | 150 N |
| 10   | 150 N |

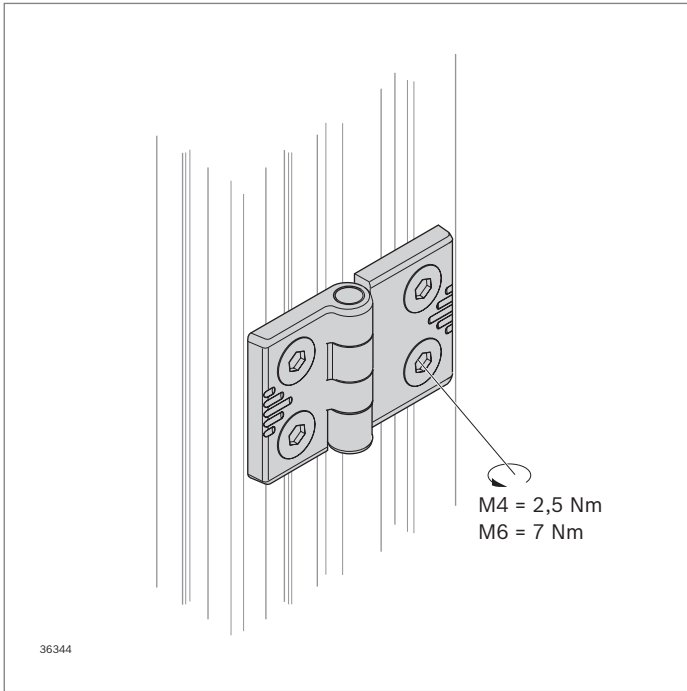


| Hinge, plastic | P1 (mm) | P2 (mm) |   | No.                  | FS              |
|----------------|---------|---------|---|----------------------|-----------------|
|                | 30      | 30      | 2 | <b>3 842 554 458</b> | 2xFS1           |
|                | 30      | 40/50   | 2 | <b>3 842 554 460</b> | 1xFS1,<br>1xFS2 |
|                | 30      | 45      | 2 | <b>3 842 554 462</b> | 1xFS1,<br>1xFS2 |
|                | 30      | 60      | 2 | <b>3 842 554 464</b> | 1xFS1,<br>1xFS2 |
|                | 40/50   | 40/50   | 2 | <b>3 842 554 466</b> | 2xFS2           |
|                | 45      | 45      | 2 | <b>3 842 554 468</b> | 2xFS2           |
|                | 45      | 60      | 2 | <b>3 842 554 470</b> | 2xFS2           |
|                | 60      | 60      | 2 | <b>3 842 554 472</b> | 2xFS2           |

Material: PA; signal gray  
 Hinge axle: Steel; galvanized  
 Fastening material: Steel; galvanized

Scope of delivery: Incl. fastening material (FS)

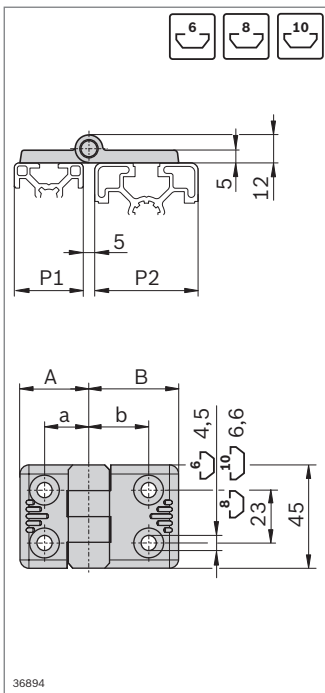
| P1/P2 (mm) | A/B (mm) | a/b (mm) |
|------------|----------|----------|
| 30         | 30       | 17.5     |
| 40         | 39       | 22.5     |
| 45         | 45       | 25.0     |
| 50         | 39       | 27.5     |
| 60         | 60       | 32.5     |



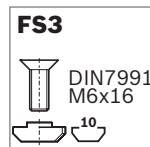
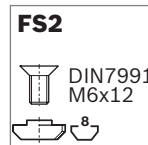
### Hinge, aluminum



- ▶ Aluminum hinge for all slot systems
- ▶ Assembly possible on solid panel elements
- ▶ High-quality version
- ▶ Conductive version
- ▶ Suitable for use under cleanroom conditions thanks to wear-resistant guide bushings



| Slot |       |
|------|-------|
| 6    | 300 N |
| 8    | 300 N |
| 10   | 300 N |

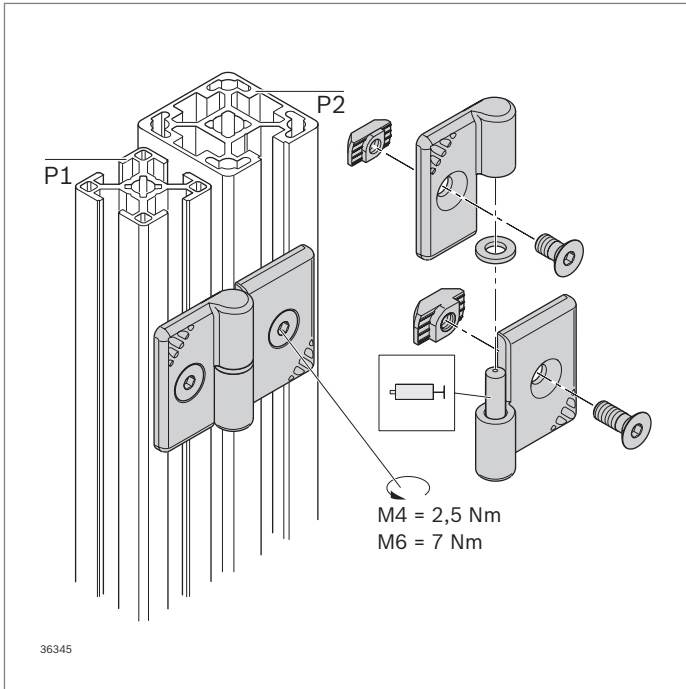


| Hinge, aluminum | P1 (mm) | P2 (mm) | ESD | No.                    | FS              |
|-----------------|---------|---------|-----|------------------------|-----------------|
|                 | 20      | 20      |     | 2 <b>3 842 544 525</b> | 4xFS1           |
|                 | 20      | 30      |     | 2 <b>3 842 544 526</b> | 2xFS1,<br>2xFS2 |
|                 | 30      | 30      |     | 2 <b>3 842 544 527</b> | 4xFS2           |
|                 | 30      | 40      |     | 2 <b>3 842 544 528</b> | 2xFS2,<br>2xFS3 |
|                 | 30      | 45      |     | 2 <b>3 842 544 529</b> | 2xFS2,<br>2xFS3 |
|                 | 40      | 40      |     | 2 <b>3 842 544 530</b> | 4xFS3           |
|                 | 45      | 45      |     | 2 <b>3 842 544 531</b> | 4xFS3           |

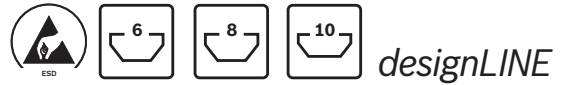
Material: Diecast aluminum; nickel-plated  
Fastening material: Steel; galvanized  
Scope of delivery: Incl. fastening material (FS)

| P1/P2 (mm) | A/B (mm) | a/b (mm) |
|------------|----------|----------|
| 20         | 20       | 12.5     |
| 30         | 28       | 17.5     |
| 40         | 37       | 22.5     |
| 45         | 40       | 25.0     |

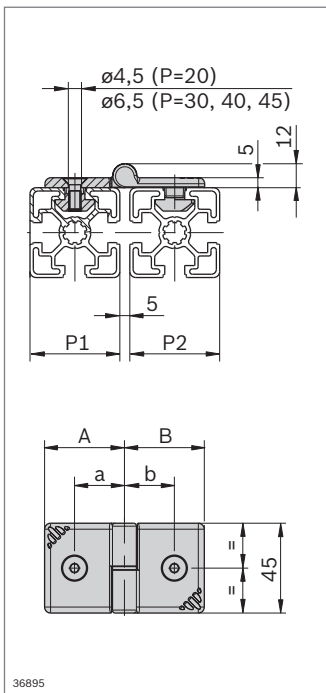




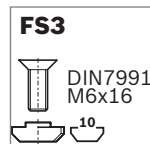
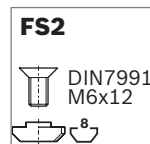
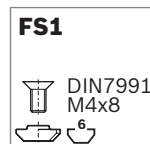
## LIFTOFF hinge



- ▶ Removable compact hinge, opening to the right or left
- ▶ designLINE version with special silver paint (RAL 9006) for an attractive, high-quality design
- ▶ Centering lugs as an assembly aid and anti-torsion element



| Slot |       |
|------|-------|
| 6    | 300 N |
| 8    | 300 N |
| 10   | 300 N |

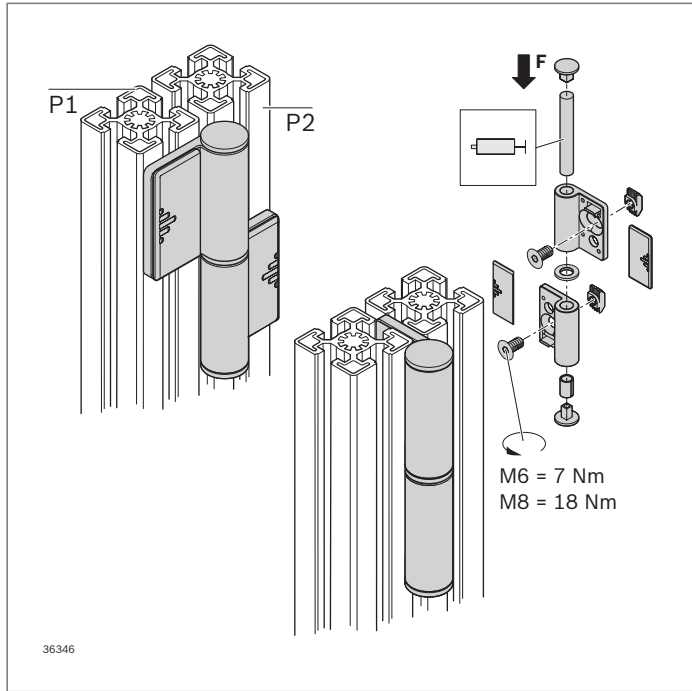


| LIFTOFF hinge | P1 (mm) | P2 (mm) |   | No.                  | FS            |
|---------------|---------|---------|---|----------------------|---------------|
| <b>right</b>  | 20      | 20      | 2 | <b>3 842 543 334</b> | 2xFS1, FS4    |
|               | 20      | 30      | 2 | <b>3 842 543 333</b> | FS1, FS2, FS4 |
|               | 30      | 30      | 2 | <b>3 842 543 332</b> | 2xFS2, FS4    |
|               | 30      | 40      | 2 | <b>3 842 543 331</b> | FS2, FS3, FS4 |
|               | 30      | 45      | 2 | <b>3 842 543 330</b> | FS2, FS3, FS4 |
|               | 40      | 40      | 2 | <b>3 842 543 329</b> | 2xFS3, FS4    |
| <b>left</b>   | 45      | 45      | 2 | <b>3 842 543 328</b> | 2xFS3, FS4    |
|               | 20      | 20      | 2 | <b>3 842 543 327</b> | 2xFS1, FS4    |
|               | 20      | 30      | 2 | <b>3 842 543 326</b> | FS1, FS2, FS4 |
|               | 30      | 30      | 2 | <b>3 842 543 325</b> | 2xFS2, FS4    |
|               | 30      | 40      | 2 | <b>3 842 543 324</b> | FS2, FS3, FS4 |
|               | 30      | 45      | 2 | <b>3 842 543 323</b> | FS2, FS3, FS4 |
|               | 40      | 40      | 2 | <b>3 842 543 322</b> | 2xFS3, FS4    |
|               | 45      | 45      | 2 | <b>3 842 543 321</b> | 2xFS3, FS4    |

Material: Hinge: Diecast aluminum, painted  
 Fastening material: Steel; galvanized  
 Grooved pin: Steel; galvanized  
 Washer: PA

Scope of delivery: Incl. fastening material (FS)

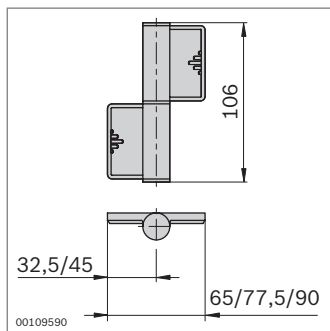
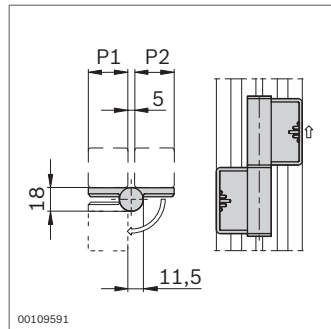
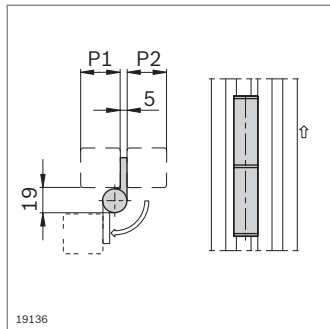
| P1/P2 (mm) | A/B (mm) | a/b (mm) |
|------------|----------|----------|
| 20         | 20       | 12.5     |
| 30         | 28       | 17.5     |
| 40         | 37       | 22.5     |
| 45         | 40       | 25.0     |



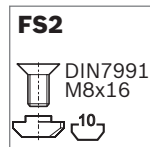
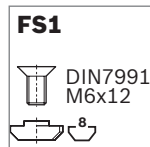
### Hinge, removable



- ▶ For constructing large, heavy doors
- ▶ Removable
- ▶ For left and right stop
- ▶ Externally mounted: Opening angle approx. 180°
- ▶ Internally mounted: Prevents unauthorized removal, e.g. for safety devices



| Slot | $F_{max}$ |
|------|-----------|
| 8    | 300 N     |
| 10   | 300 N     |



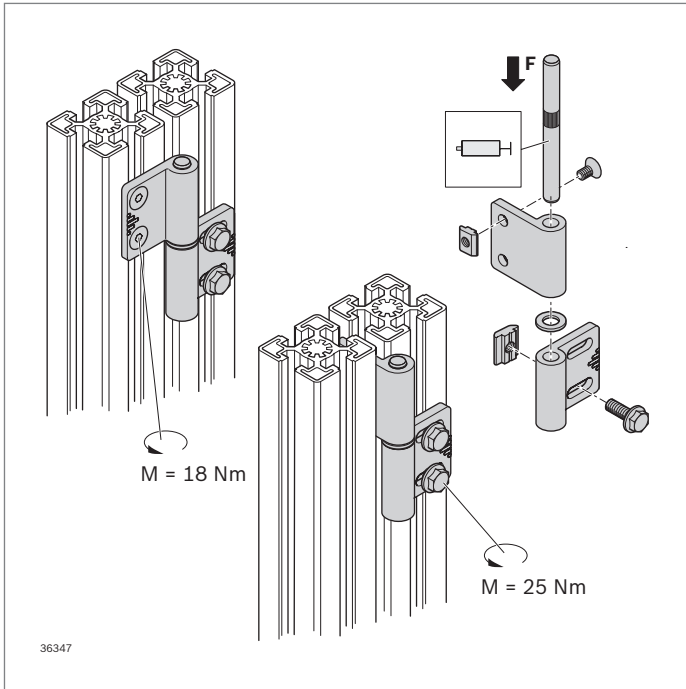
| Hinge, removable | P1 (mm)          | P2 (mm) | No. | FS                          |
|------------------|------------------|---------|-----|-----------------------------|
|                  | 30               | 30      | 2   | <b>3 842 555 572</b> 2xFS1  |
|                  | 30               | 45      | 2   | <b>3 842 555 574</b> 1xFS1, |
|                  | 30 <sup>1)</sup> | 60      |     | 1xFS2                       |
|                  | 45               | 45      | 2   | <b>3 842 555 576</b> 2xFS2  |
|                  | 45 <sup>1)</sup> | 60      |     |                             |
|                  | 60 <sup>1)</sup> | 60      |     |                             |

<sup>1)</sup> Not suitable for installing on inner side

Material: Hinge: Diecast zinc  
Cover cap: PP, signal gray  
Fastening material: Steel; galvanized

Scope of delivery: Incl. fastening material (FS), 2 x cover cap





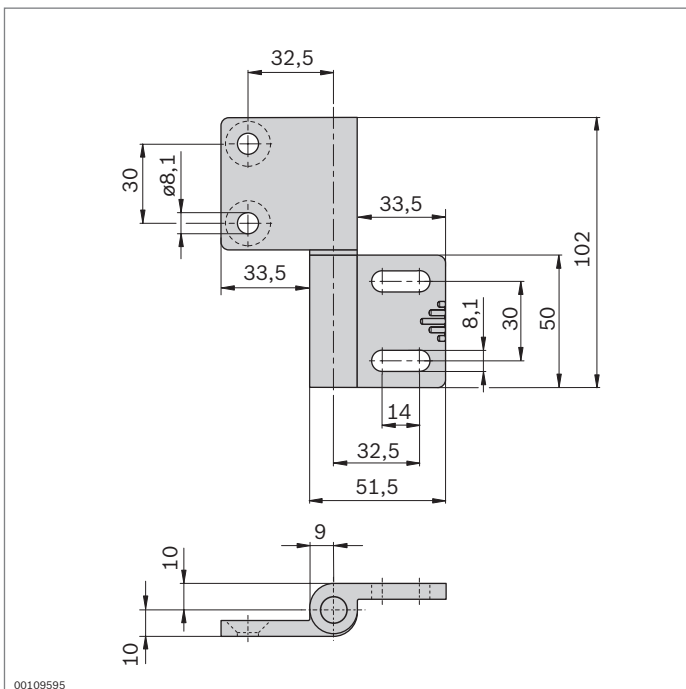
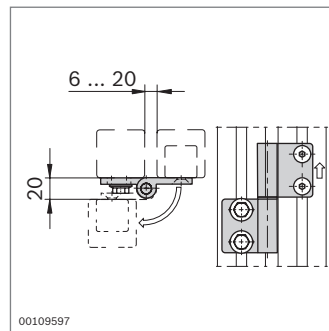
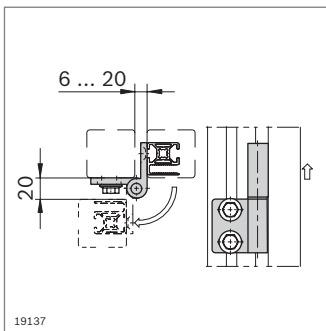
## Hinge, adjustable




- ▶ For constructing large, heavy doors
- ▶ Adjustable for compensating clearance tolerances
- ▶ Removable
- ▶ For left and right stop
- ▶ Opening angle approx. 180°

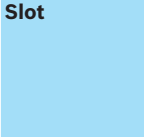
Accessories:

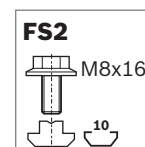
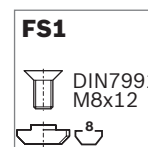
T-nut slot 10, M8 (p. 3-4) for fixing a door with 10 mm slot

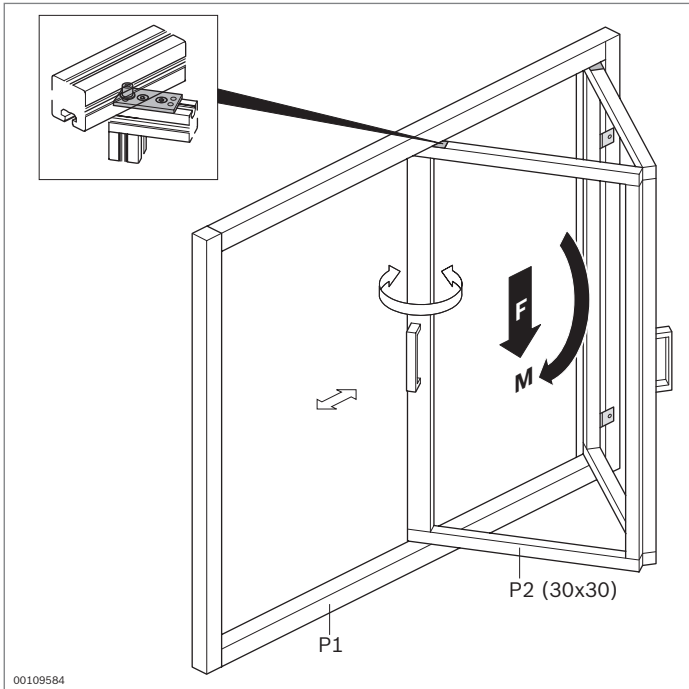


| Hinge, adjustable   | No.                    | FS              |
|---|------------------------|-----------------|
|  | 2 <b>3 842 544 562</b> | 2xFS1,<br>2xFS2 |

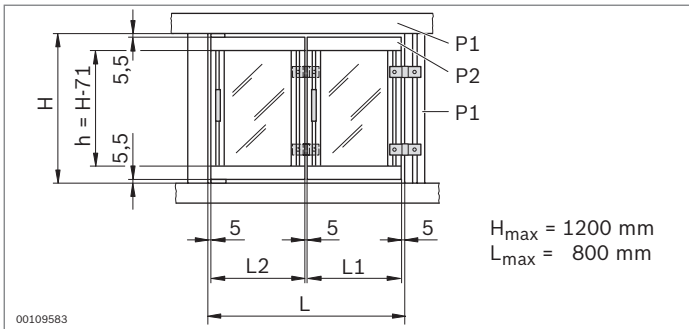
Material: Diecast aluminum  
 Fastening material: Steel; galvanized  
 Scope of delivery: Incl. fastening material (FS)

| Slot  |           |
|---|-----------|
|  | $F_{max}$ |
| 8   | 300 N     |
| 10  | 300 N     |

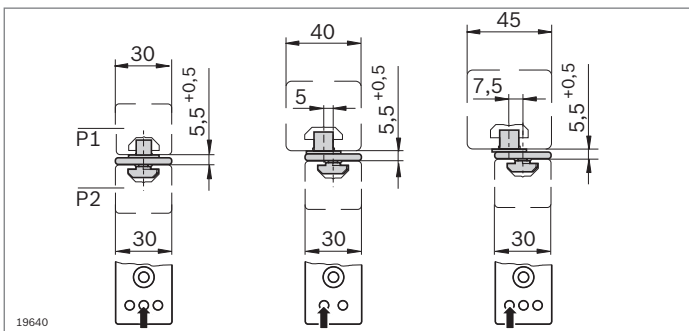




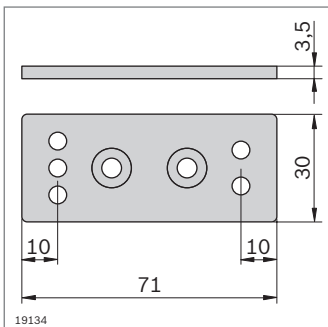
00109584



00109583



19640



19134

| Slot | $F_{max}$ | $M_{max}$ |
|------|-----------|-----------|
| 8    | 120 N     | 20 Nm     |
| 10   | 120 N     | 20 Nm     |

## Folding door element



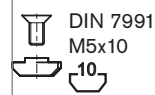
- ▶ For a simultaneous swinging and sliding action on folding doors made of 30 mm profiles
- ▶ Extremely long service life (approx. 50,000 actuations)
- ▶ Suitable for frames made of profiles with 8 mm and 10 mm slot
- ▶ The frame and door profile are always flush (the guide ring position depends on the thickness of the frame profile)

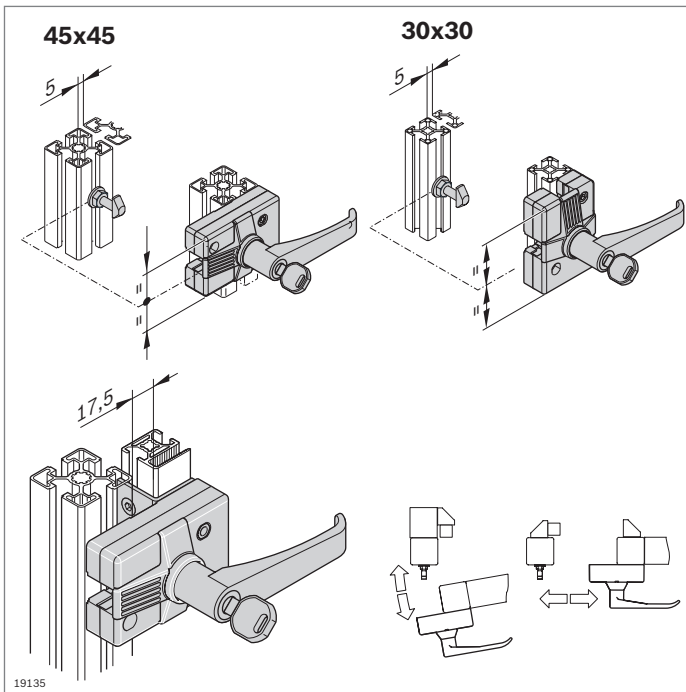
| P2 (mm) | P1 (mm) | L1 (mm)     | L2 (mm)     |
|---------|---------|-------------|-------------|
| 30x30   | 45x45   | 0,5L - 29.5 | 0,5L + 14.5 |
|         | 40x40   | 0,5L - 28.3 | 0,5L + 13.3 |
|         | 30x30   | 0,5L - 25.8 | 0,5L + 10.8 |

| Folding door element | No.                  | FS    |
|----------------------|----------------------|-------|
|                      | <b>3 842 516 715</b> | 2xFS1 |

Material: Folding door element: Diecast zinc  
 Guide ring: PA; black  
 Fastening material: Steel; galvanized  
 Scope of delivery: Incl. fastening material (FS)

### FS1



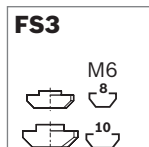
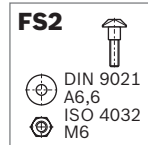
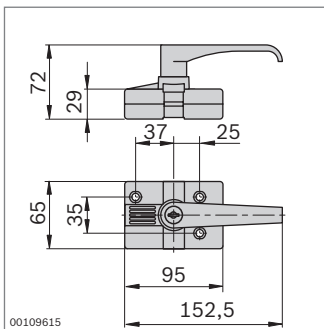


## Door lock for swing and sliding doors



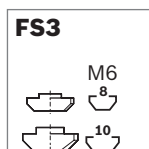
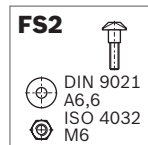
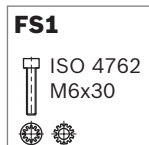
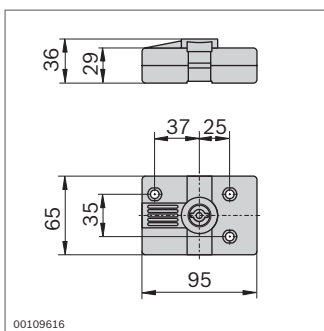
- ▶ Opening to the right and left
- ▶ Suitable for profiles 45x45 and 30x30
- ▶ “Standard locking” variant with random key selection (each lock has a different key)
- ▶ “Uniform locking” variant always has the same key
- ▶ Version with door handle or as two-way lock

Accessories:  
Adapter plate



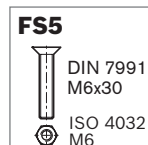
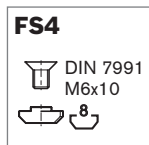
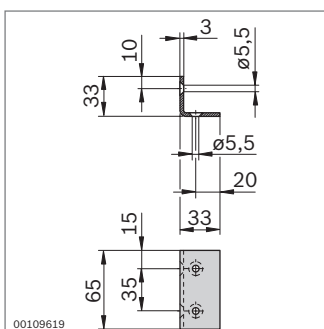
| Door lock               | No.          | FS                                       |
|-------------------------|--------------|--|
| <b>Standard locking</b> | 30x30, 45x45 | <b>3 842 525 821</b> 2xFS1, 1xFS2, 3xFS3 |
| <b>Uniform locking</b>  | 30x30, 45x45 | <b>3 842 525 822</b> 2xFS1, 1xFS2, 3xFS3 |

Material: Housing: Diecast aluminum  
Door handle: PA; black  
Fastening material: Steel; galvanized  
Scope of delivery: Incl. 3 keys, fastening material (FS)



| Door lock | No.          | FS                                     |
|-----------|--------------|--|
|           | 30x30, 45x45 | <b>3 842 525 823</b> 2xFS1, FS2, 3xFS3 |

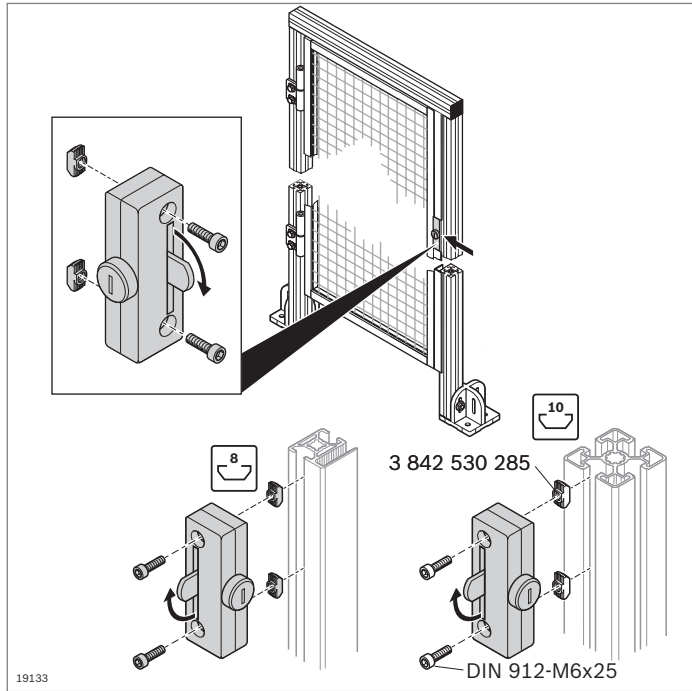
Material: Diecast aluminum  
Fastening material: Steel; galvanized  
Scope of delivery: Incl. 1 x two-way key, fastening material (FS)



- ▶ Adapter plate for mounting the door lock on an EcoSafe protective frame (p. 10-6)

| Adapter plate | No.                  | FS           |
|---------------|----------------------|--------------|
|               | <b>3 842 523 243</b> | 2xFS4, 2xFS5 |

Material: Steel; galvanized  
Fastening material: Steel; galvanized  
Scope of delivery: Incl. fastening material (FS)



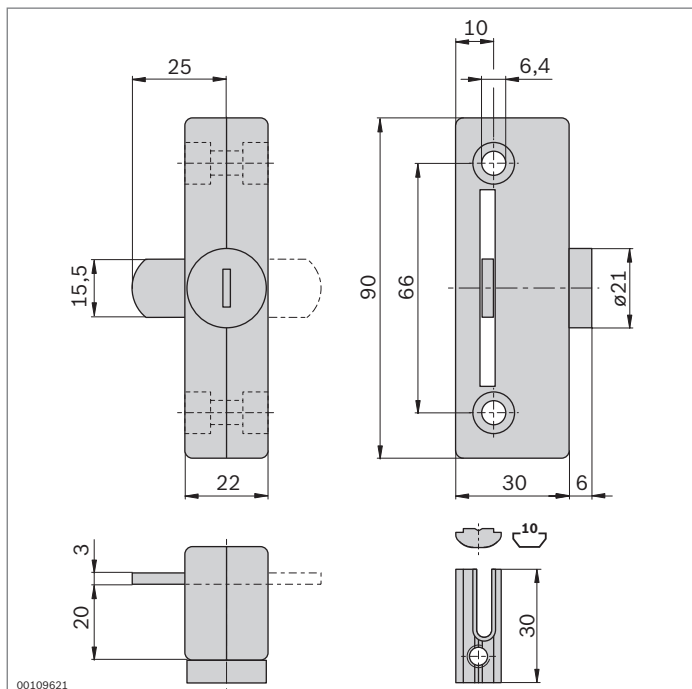
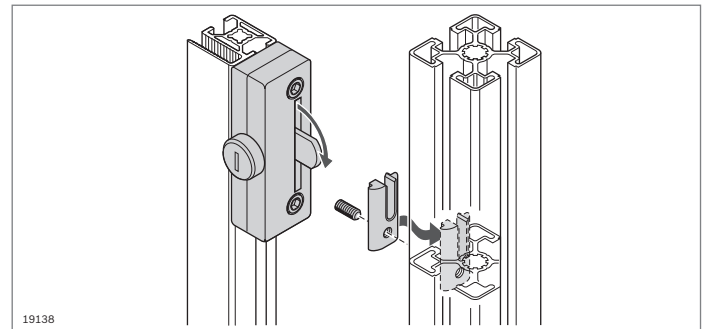
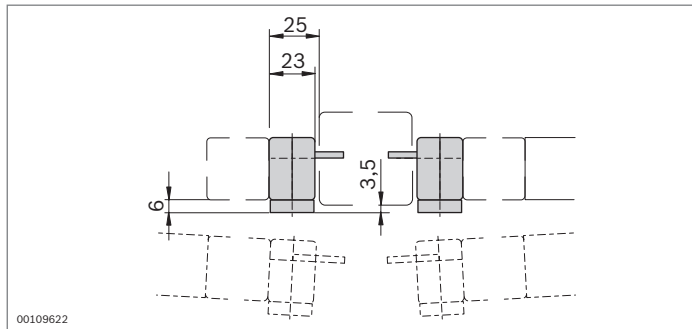
## Door lock



- ▶ Opening to the right and left
- ▶ For frame profile 30x30 WG (EcoSafe protective fence system); incl. fastening material
- ▶ “Standard locking” variant with random key selection (each lock has a different key)
- ▶ “Uniform locking” variant always has the same key

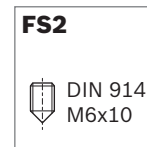
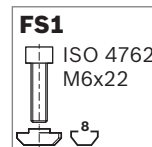
Accessories for mounting on profile with 10 mm slot:

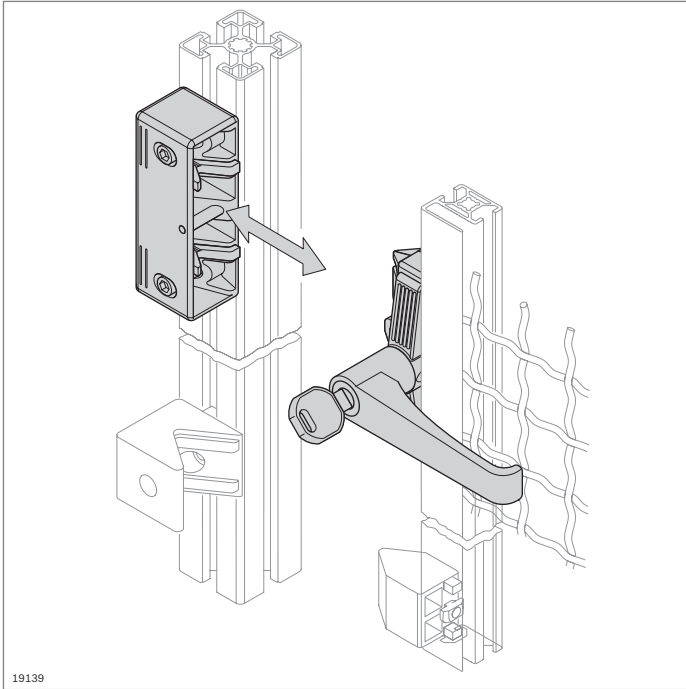
- ▶ 2 x T-nut M6, **3 842 530 285** (p. 3-4)
- ▶ 2 x screw DIN 912-M6x25



| Door lock        | No.                  | FS              |
|------------------|----------------------|-----------------|
| Standard locking | <b>3 842 522 479</b> | 2xFS1,<br>1xFS2 |
| Uniform locking  | <b>3 842 523 320</b> | 2xFS1,<br>1xFS2 |

Material: Diecast zinc  
Fastening material: Steel; galvanized  
Scope of delivery: Incl. 3 keys, fastening material (FS)





19139

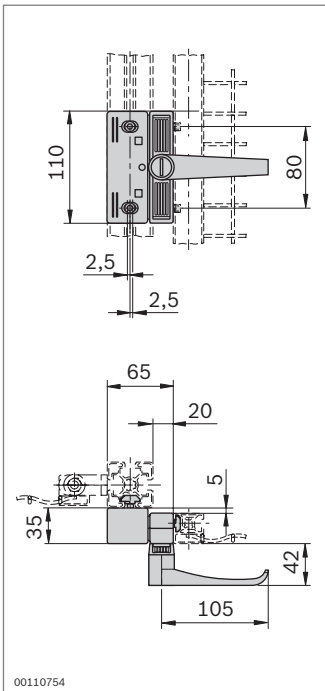
## Door lock for EcoSafe sliding doors



- ▶ Opening to the right and left
- ▶ “Standard locking” variant with random key selection (each lock has a different key)
- ▶ “Uniform locking” variant always has the same key

Optional accessories:

Stop kit for cushioned closing of the doors (p. 12-5)



00110754

### FS1

DIN 7984  
M6x40



### FS2

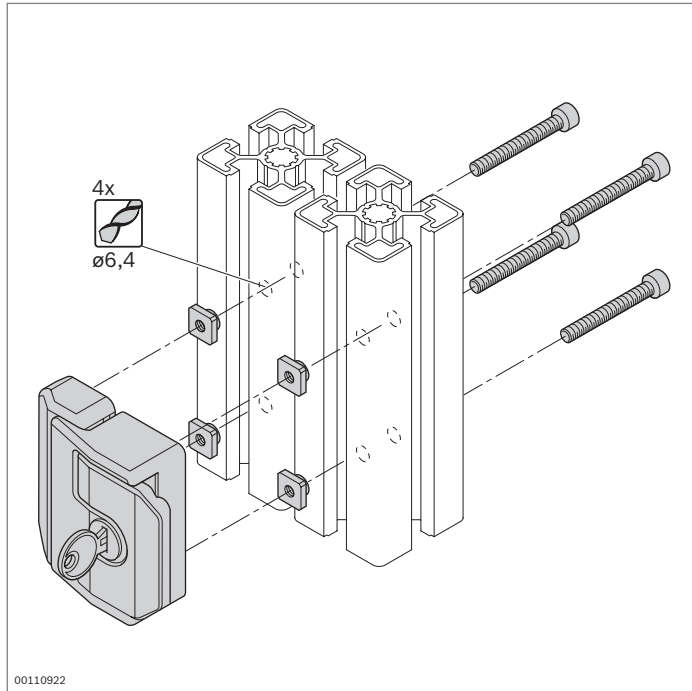
DIN 912  
M6x12



| Door lock for sliding doors | No.                  | FS              |
|-----------------------------|----------------------|-----------------|
| <b>Standard locking</b>     | <b>3 842 525 946</b> | 2xFS1,<br>2xFS2 |
| <b>Uniform locking</b>      | <b>3 842 525 947</b> | 2xFS1,<br>2xFS2 |

Material: Housing: Diecast aluminum  
 Door handle: PA; black  
 Cover cap: PA6  
 Fastening material: Steel; galvanized

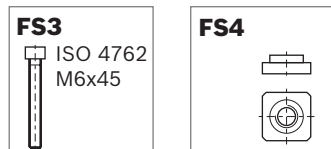
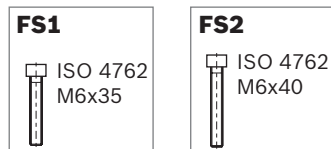
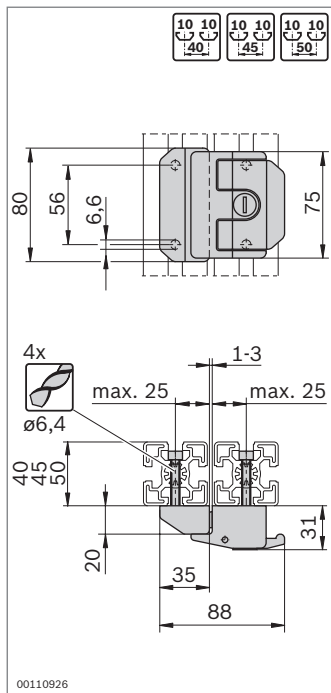
Scope of delivery: Incl. 3 keys, fastening material (FS)



### Door lock for swing doors

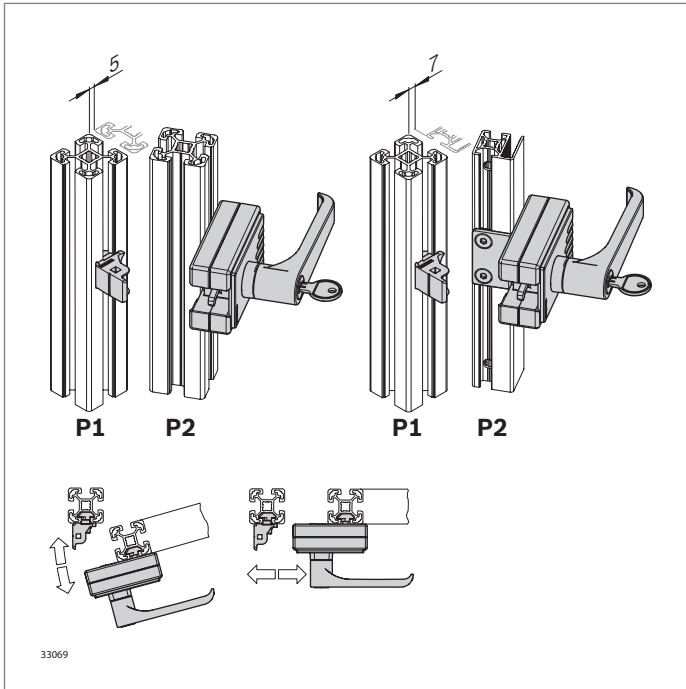


- ▶ Opening to the right and left
- ▶ Self-locking mechanism in the closed position
- ▶ Smooth closing
- ▶ Ergonomically designed folding handle for opening
- ▶ “Standard locking” variant with random key selection (each lock has a different key)
- ▶ “Uniform locking” variant always has the same key
- ▶ Profile finishing: Drill hole D6.4



| Door lock               | No.                  | FS                         |
|-------------------------|----------------------|----------------------------|
| <b>Standard locking</b> | <b>3 842 530 353</b> | 4xFS1, 4xFS2, 4xFS3, 4xFS4 |
| <b>Uniform locking</b>  | <b>3 842 530 352</b> | 4xFS1, 4xFS2, 4xFS3, 4xFS4 |

Material: Diecast zinc; black powder-coated  
 Fastening material: Steel; galvanized  
 Scope of delivery: Incl. 2 keys, fastening material (FS)



## Door lock “Multi-use” for swing and sliding doors

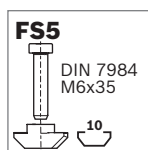
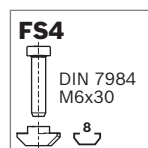
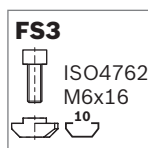
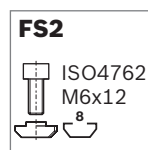
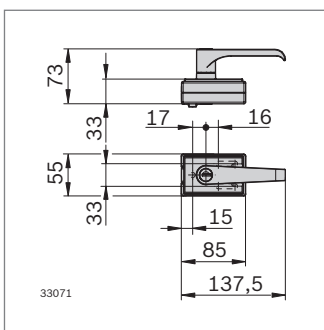


- ▶ Opening to the right and left
- ▶ For numerous profile combinations
- ▶ “Standard locking” variant with random key selection (each lock has a different key)
- ▶ “Uniform locking” variant always has the same key
- ▶ Version with door handle or as two-way lock
- ▶ Covered fastening screws
- ▶ Differing gap measurements for doors <400 mm with modular dimensions up to 45 mm and < 600 mm for modular dimensions of 50 mm (see assembly instructions **3 842 554 184**)
- ▶ Without profile finishing

Optional accessories:

Adapter plate for connecting to a WG40 or WG30 woven wire grille profile (p. 10-9)

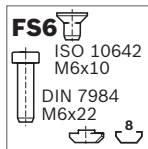
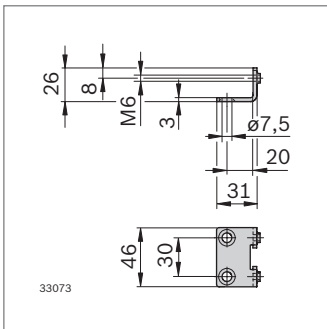
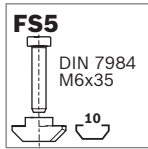
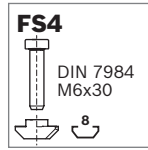
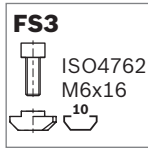
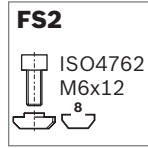
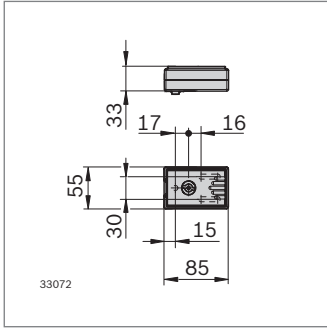
| P1 | P2      | P2 | P2 | P2 | P2 |
|----|---------|----|----|----|----|
| 30 | WG30/40 | 30 | -  | -  | -  |
| 40 | WG30/40 | 30 | 40 | -  | -  |
| 45 | WG30/40 | 30 | 40 | 45 | -  |
| 50 | WG30/40 | 30 | 40 | 45 | 50 |
| 60 | WG30/40 | 30 | 40 | -  | -  |



| Door lock “Multi-use” for swing and sliding doors | No.                  | FS                            |
|---|----------------------|-------------------------------|
| <b>Standard locking</b>                           | <b>3 842 548 971</b> | 3xFS1, FS2, FS3, 2xFS4, 2xFS5 |
| <b>Uniform locking</b>                            | <b>3 842 548 970</b> | 3xFS1, FS2, FS3, 2xFS4, 2xFS5 |

Material: Housing: Diecast zinc  
 Door handle: PA6, black  
 Cover: PP; signal gray RAL 7004  
 Fastening material: Steel; galvanized

Scope of delivery: Incl. 3 keys, fastening material (FS)



| Door lock "Multi-use" for swing and sliding doors | No. | FS |
|---|-----|----|
|---|-----|----|

|                     |                      |                               |
|---------------------|----------------------|-------------------------------|
| <b>Two-way lock</b> | <b>3 842 548 965</b> | 3xFS1, FS2, FS3, 2xFS4, 2xFS5 |
|---------------------|----------------------|-------------------------------|

Material: Housing: Diecast zinc  
Cover: PP; signal gray RAL 7004 fastening material: Steel; galvanized

Scope of delivery: Incl. 1x two-way key, fastening material

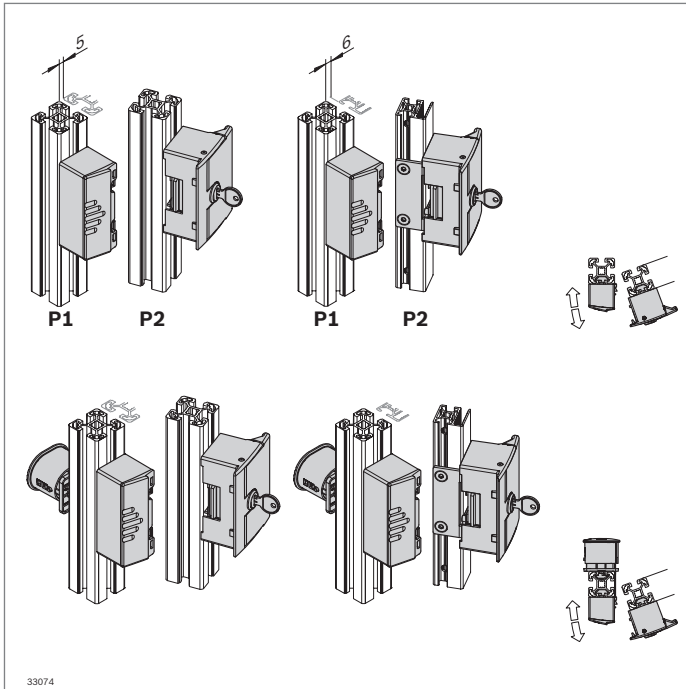
| Adapter plate | No. | FS |
|---------------|-----|----|
|---------------|-----|----|

|                |                      |       |
|----------------|----------------------|-------|
| <b>EcoSafe</b> | <b>3 842 548 969</b> | 2xFS6 |
|----------------|----------------------|-------|

Material: Steel; galvanized  
Fastening material: Steel; galvanized

Scope of delivery: Incl. Fastening material





## Door lock “Compact” for swing doors

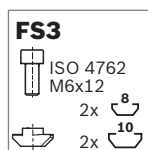
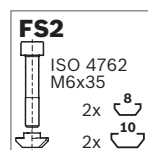
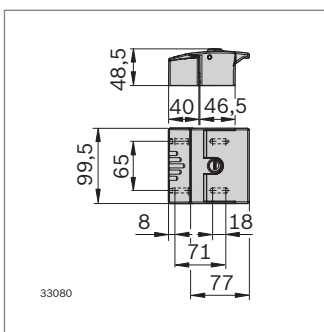


- ▶ Opening to the right and left
- ▶ For numerous profile combinations
- ▶ “Standard locking” variant with random key selection (each lock has a different key)
- ▶ “Uniform locking” variant always has the same key
- ▶ Covered fastening screws
- ▶ Installation of an emergency opening mechanism for unlocking from inside in emergency possible (Gap measurements according to assembly instructions **3 842 554 192**)
- ▶ Without profile finishing

Optional accessories:

- ▶ Adapter plate for connecting to a WG40 or WG30 woven wire grille profile (p. 10-9)
- ▶ Emergency opening mechanism (p. 8-18)

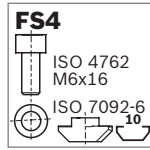
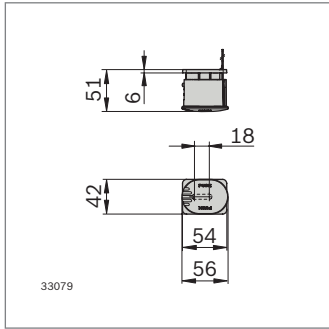
| P1 | P2      | P2 | P2 | P2 | P2 |
|----|---------|----|----|----|----|
| 30 | WG30/40 | 30 | –  | –  | –  |
| 40 | WG30/40 | 30 | 40 | –  | –  |
| 45 | WG30/40 | 30 | 40 | 45 | –  |
| 50 | WG30/40 | 30 | 40 | 45 | 50 |
| 60 | WG30/40 | –  | 40 | 45 | 50 |



| Door lock “Compact” for swing doors | No.                  | FS                  |
|-------------------------------------|----------------------|---------------------|
| <b>Standard locking</b>             | <b>3 842 553 640</b> | 4xFS1, 2xFS2, 2xFS3 |
| <b>Uniform locking</b>              | <b>3 842 553 639</b> | 4xFS1, 2xFS2, 2xFS3 |

Material: Housing: Diecast aluminum  
Cover: PP; signal gray RAL 7004 fastening material: Steel; galvanized

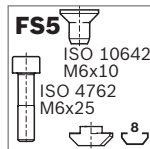
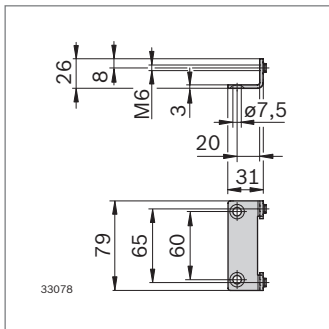
Scope of delivery: Incl. 2 keys, fastening material



- For emergency opening of the door lock “Compact” from the inside in its locked state

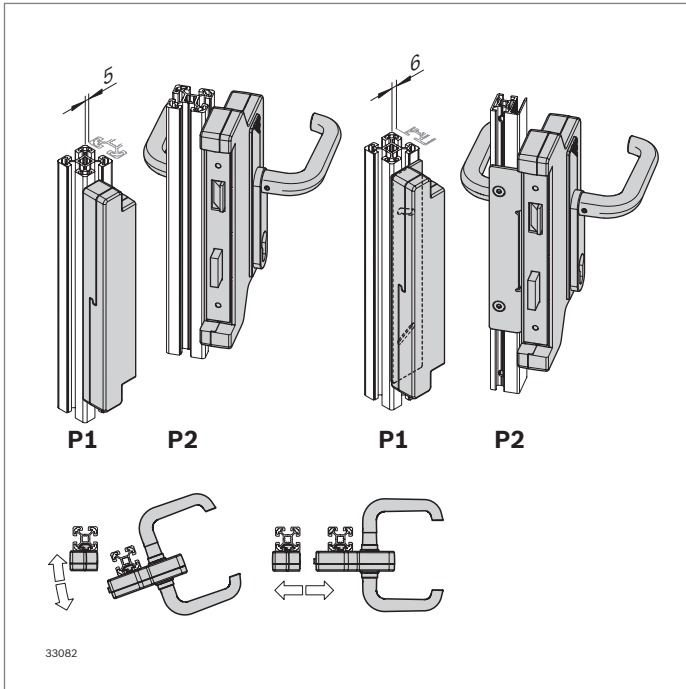
| Emergency unlocking | No.                  | FS  |
|---------------------|----------------------|-----|
| <b>Compact</b>      | <b>3 842 554 134</b> | FS4 |

Material: Steel; galvanized  
 Pushbutton: PA6; red RAL 3020  
 Fastener: PA6; RAL 7004  
 Fastening material: Steel; galvanized  
 Scope of delivery: Incl. Fastening material



| Adapter plate  | No.                  | FS    |
|----------------|----------------------|-------|
| <b>EcoSafe</b> | <b>3 842 554 136</b> | 2xFS5 |

Material: Steel; galvanized  
 Fastening material: Steel; galvanized  
 Scope of delivery: Incl. Fastening material



## Chamber lock for swing and sliding doors



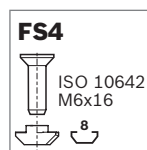
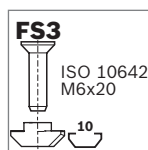
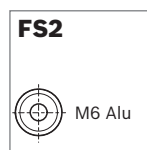
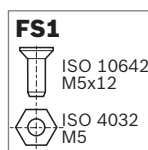
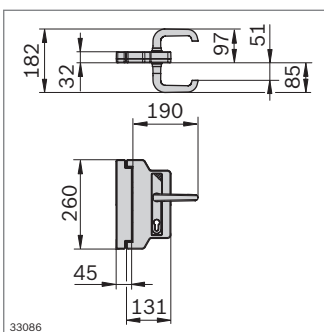
- ▶ Opening to the right and left
- ▶ For numerous profile combinations
- ▶ For installation of a standard lock cylinder (not included in the scope of delivery)
- ▶ Version with door handle, can be opened from inside and outside
- ▶ Without profile finishing
- ▶ Covered fastening screws

Optional accessories:

- ▶ Adapter plate for connecting to a WG40 or WG30 woven wire grille profile (p. 10-9)
- ▶ Lock cylinder (p. 8-20)

8

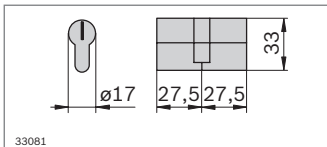
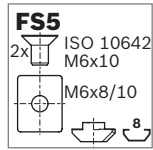
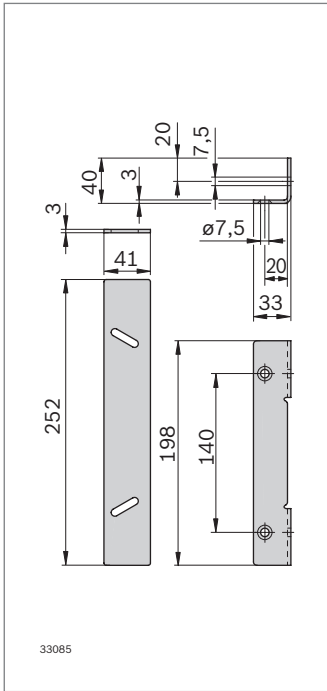
| P1 | P2      | P2 | P2 | P2 | P2 |
|----|---------|----|----|----|----|
| 30 | WG30/40 | 30 | -  | -  | -  |
| 40 | WG30/40 | 30 | 40 | -  | -  |
| 45 | WG30/40 | 30 | 40 | 45 | -  |
| 50 | WG30/40 | 30 | 40 | 45 | 50 |
| 60 | WG30/40 | 30 | 40 | 45 | 50 |



| Chamber lock | No.                  | FS                         |
|--------------|----------------------|----------------------------|
| Sliding door | <b>3 842 554 151</b> | 4xFS1, 4xFS2, 4xFS3, 2xFS4 |
| Swing door   | <b>3 842 554 150</b> | 4xFS1, 4xFS2, 4xFS3, 2xFS4 |

Material: Housing: PA6 signal gray (RAL7004)  
 Door handle: Aluminum; anodized  
 Fastening material: Steel; galvanized  
 Washer: Aluminum

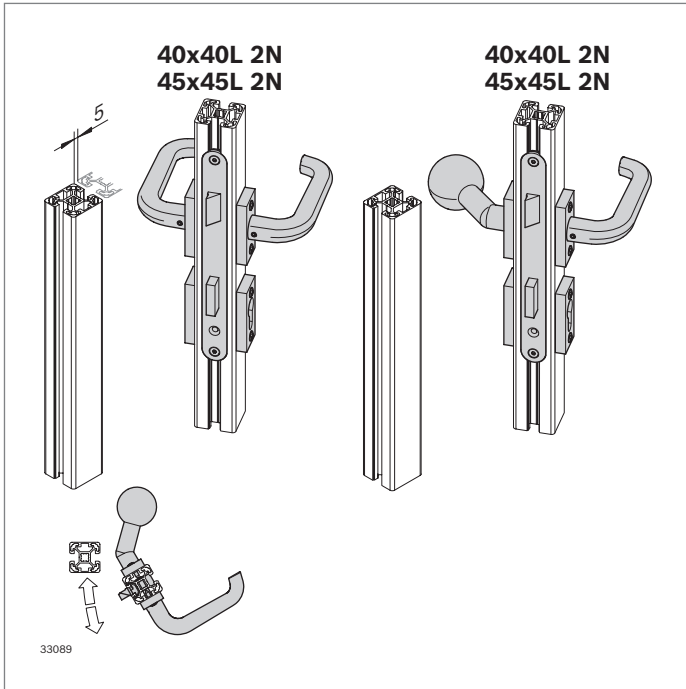
Scope of delivery: Incl. Fastening material



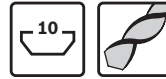
| Adapter plate | No.           | FS    |
|---------------|---------------|-------|
| Chamber lock  | 3 842 554 152 | 2xFS5 |

Material: Steel; galvanized  
Fastening material: Steel; galvanized  
Scope of delivery: Incl. fastening material

- Conventional lock cylinder 27.5/27.5 is not included in the scope of delivery.



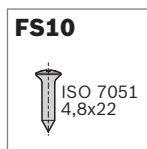
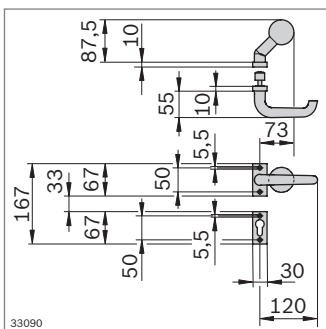
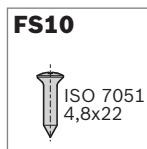
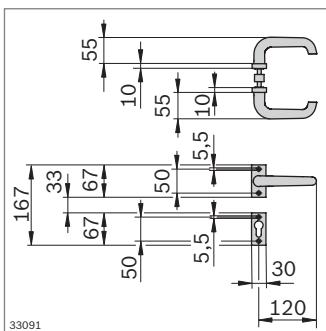
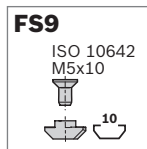
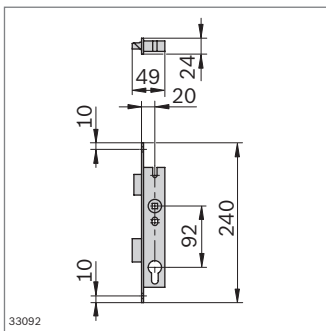
## Mortise lock for swing doors



- ▶ For installation in 40x40L 2N or 45x45L 2N profiles
- ▶ For installation of a standard lock cylinder (not included in the scope of delivery)
- ▶ Robust design
- ▶ Door handle in the variants: Handle/handle, handle/knob
- ▶ Milled/drilled profile finishing
- ▶ Profile finishing can be ordered over Quick&Easy

### Accessories:

- ▶ Handle/handle
- ▶ Handle/knob
- ▶ Lock cylinder (p. 8-22)



| Mortise lock | No.                  | FS    |
|--------------|----------------------|-------|
|              | <b>3 842 553 638</b> | 2xFS9 |

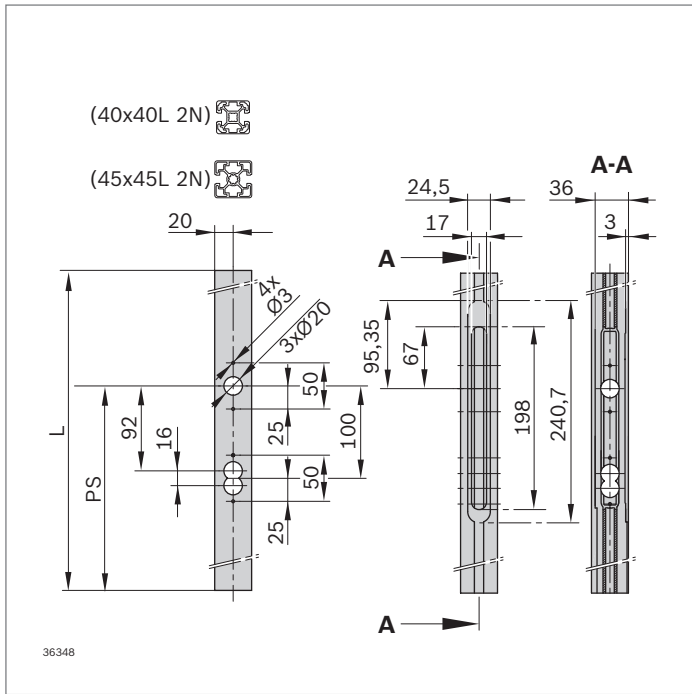
Material: Steel  
 Fastening material: Steel; galvanized  
 Scope of delivery: Incl. Fastening material

| Handle/handle | No.                  | FS      |
|---------------|----------------------|---------|
|               | <b>3 842 553 631</b> | 8x FS10 |

Material: Aluminum; anodized  
 Fastening material: Steel; galvanized  
 Scope of delivery: Incl. Fastening material

| Handle/knob | No.                  | FS      |
|-------------|----------------------|---------|
|             | <b>3 842 553 630</b> | 8x FS10 |

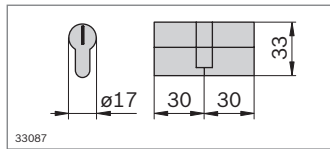
Material: Aluminum; anodized  
 Fastening material: Steel; galvanized  
 Scope of delivery: Incl. Fastening material



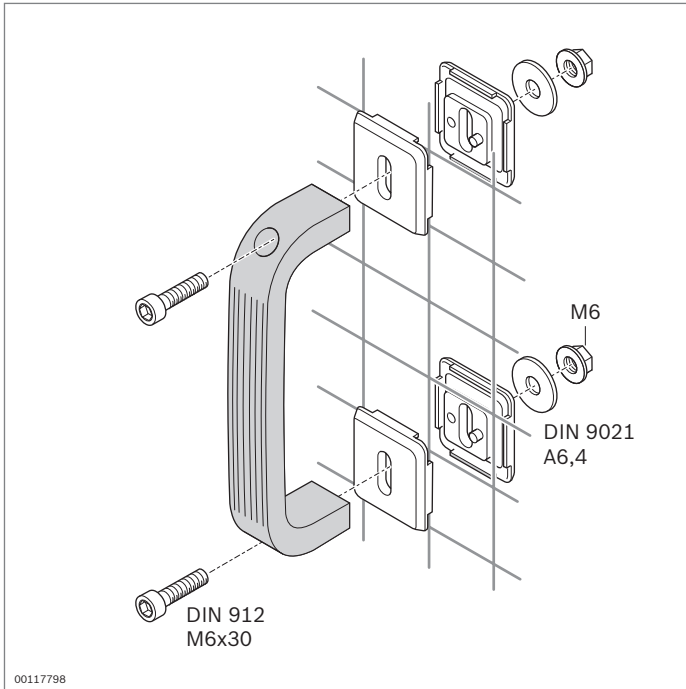
- ▶ Dimensional drawing of the profile finishing for mortise lock
- ▶ Finishing type “LM” (Lock Milling)
- ▶ Can be ordered over Quick&Easy

| Strut profile | No.                  | Finishing type | Parameter |
|---------------|----------------------|----------------|-----------|
| 40x40L 2N     | <b>3 842 993 720</b> | LM             | PS, L     |
| 45x45L 2N     | <b>3 842 993 739</b> | LM             | PS, L     |

Parameter input – example: 3842993739 L=1800; [B=LM;PS=1100]



- ▶ Conventional lock cylinder 30/30 is not included in the scope of delivery



## Bow-type handle

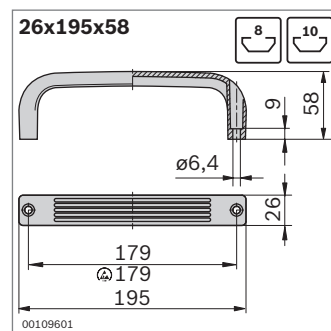
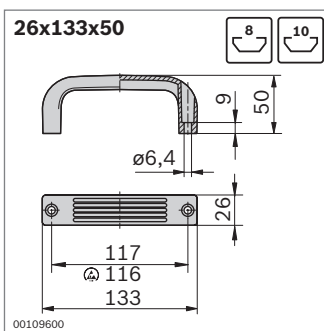
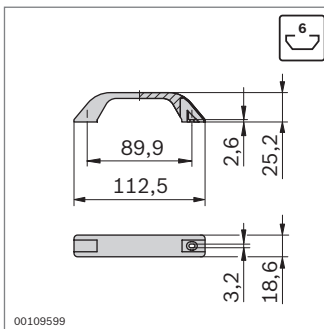


### Bow-type handle

- ▶ Robust construction equipped to withstand strong forces
- ▶ Fastening in the profile slot or on a woven wire grille with the clamping element
- ▶ Suitable for use in ESD-protected environments

#### Optional accessories:

- ▶ Clamping element for mounting on woven wire grille (p. 10-19)
- ▶ T-nut (p. 3-4)

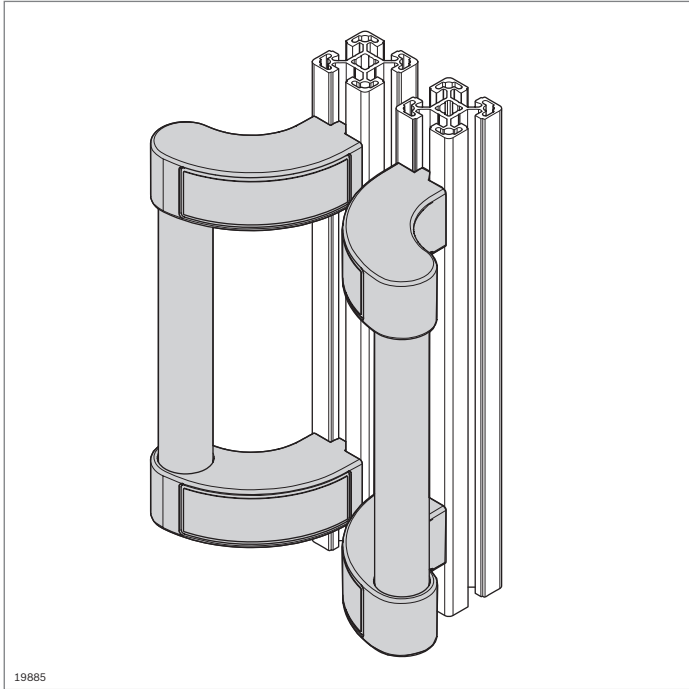


| Bow-type handle | Color                | ESD | No.                  |
|-----------------|----------------------|-----|----------------------|
|                 | Signal gray RAL 7004 | 10  | <b>3 842 554 716</b> |
|                 | Black                | 10  | <b>3 842 518 738</b> |

Material: PA

| Bow-type handle  | Color                | ESD | No.                  |
|------------------|----------------------|-----|----------------------|
| <b>26x133x50</b> | Signal gray RAL 7004 | 10  | <b>3 842 554 718</b> |
|                  | Black                | 10  | <b>3 842 525 481</b> |
| <b>26x195x58</b> | Signal gray RAL 7004 | 10  | <b>3 842 554 720</b> |
|                  | Black                | 10  | <b>3 842 525 767</b> |

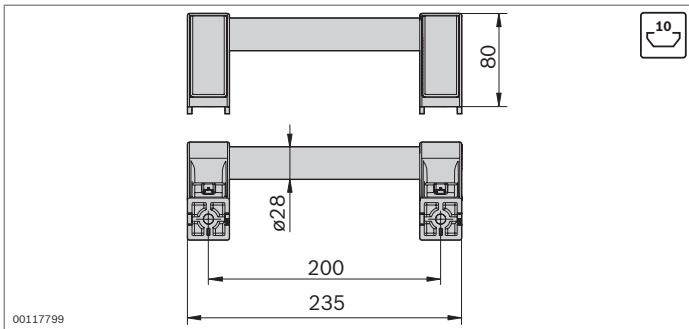
Material: PA



## Safety handle



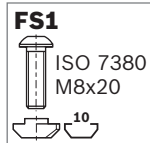
- ▶ Prevents injuries caused by catching of body parts when closing sliding doors
- ▶ Suitable for sliding or swing doors
- ▶ The length of the handle can be varied by changing the tube D28



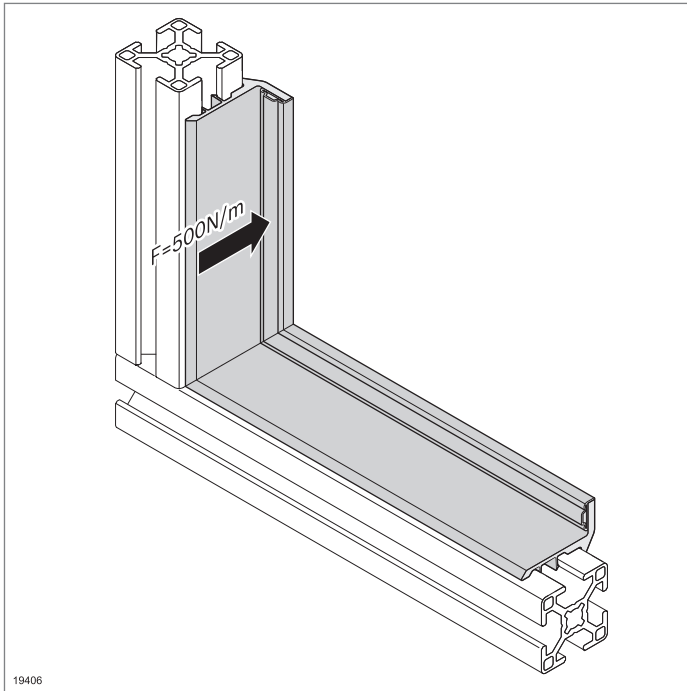
| Safety handle | No.                  | FS    |
|---------------|----------------------|-------|
|               | <b>3 842 555 564</b> | 2xFS1 |

Material: Round tube D28: Aluminum; anodized  
Holder: PA; signal gray RAL 7004

Scope of delivery: Incl. fastening material (FS)



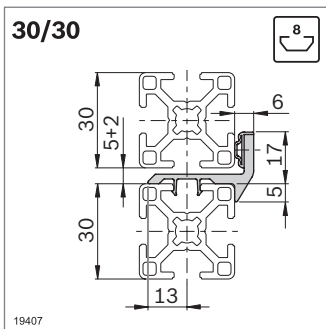




## Sealing strip

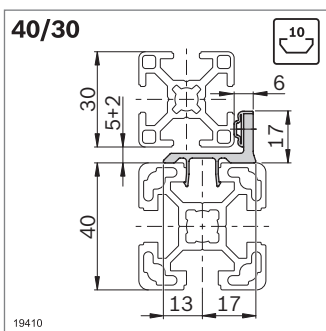


- ▶ For sealing doors (width > 500 mm) with an elastic lip seal
- ▶ Can be clipped into the slot
- ▶ Non-transparent elastic lip seal covers the door gap
- ▶ Stop for swing doors (impact force: 500 N/m)
- ▶ For flush-closing doors



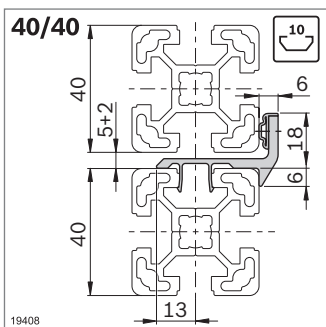
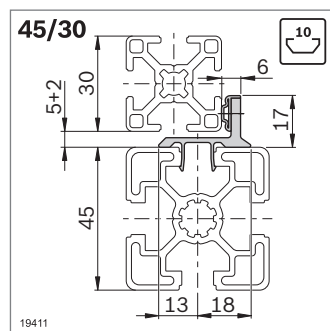
| Sealing strip | L (mm) |    | No.                  |
|---------------|--------|----|----------------------|
| <b>30/30</b>  | 3000   | 10 | <b>3 842 555 554</b> |

Material: PVC/TPE; signal gray RAL 7004



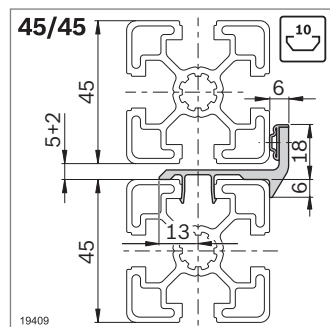
| Sealing strip | L (mm) |    | No.                  |
|---------------|--------|----|----------------------|
| <b>40/30</b>  | 3000   | 10 | <b>3 842 555 562</b> |
| <b>45/30</b>  | 3000   | 10 | <b>3 842 555 560</b> |

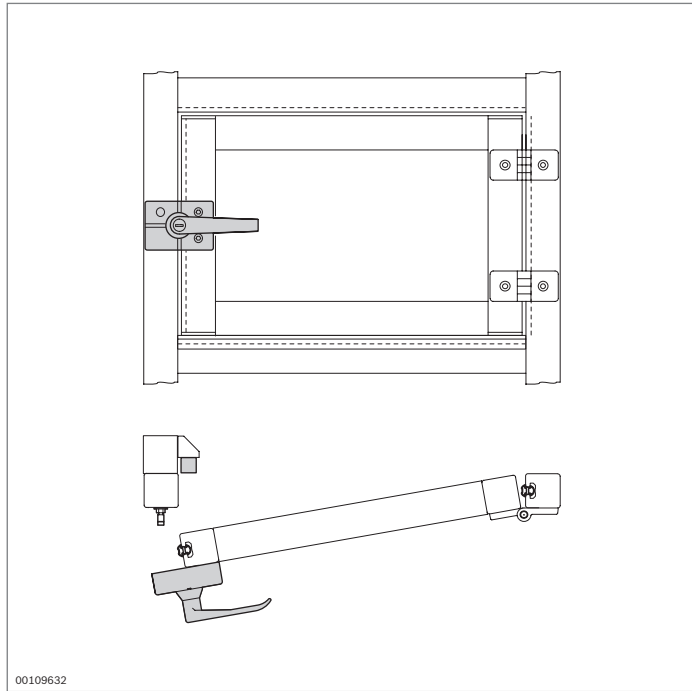
Material: PVC/TPE; signal gray RAL 7004



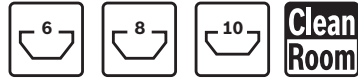
| Sealing strip | L (mm) |    | No.                  |
|---------------|--------|----|----------------------|
| <b>40/40</b>  | 3000   | 10 | <b>3 842 555 558</b> |
| <b>45/45</b>  | 3000   | 10 | <b>3 842 555 556</b> |

Material: PVC/TPE; signal gray RAL 7004

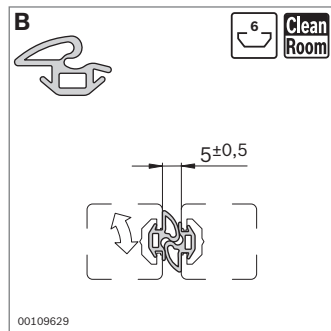
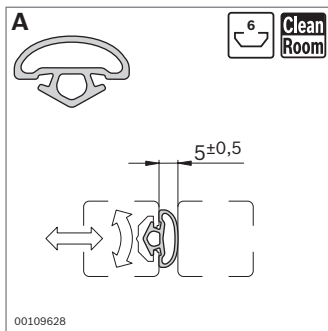




### Sealing profile



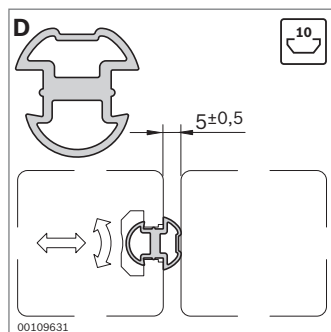
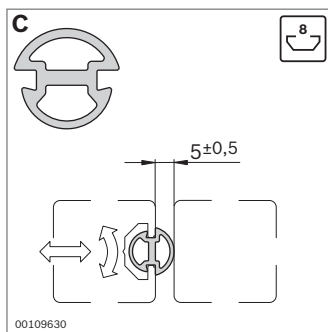
- ▶ For sliding and swing doors
- ▶ Prevents particles from entering or escaping



- ▶ Suitable for use in cleanroom environments
- ▶ Two-piece seal (**B**) also performs a stop function.

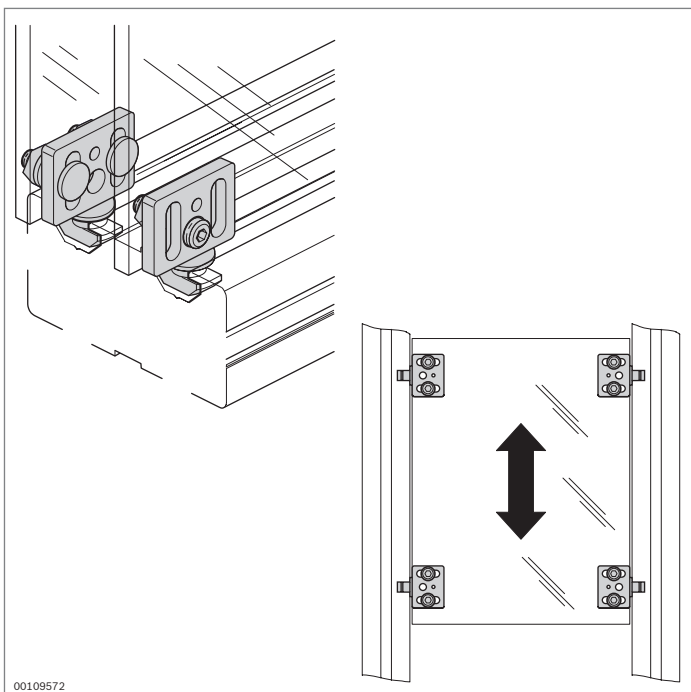
| Sealing profile | Slot | L (mm) | No.                  |
|-----------------|------|--------|----------------------|
| <b>A</b>        | 6    | 10000  | <b>3 842 524 623</b> |
| <b>B</b>        | 6    | 10000  | <b>3 842 524 622</b> |

Material: TPE; light gray RAL 7035, hardness: 64° ±5 shore A



| Sealing profile | Slot | L (mm) | No.                  |
|-----------------|------|--------|----------------------|
| <b>C</b>        | 8    | 10000  | <b>3 842 516 598</b> |
| <b>D</b>        | 10   | 10000  | <b>3 842 518 492</b> |

Material: NBR; black, hardness 60° shore A

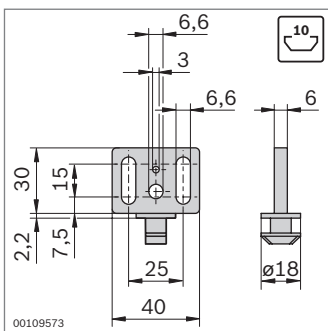


00109572

## Slider



- ▶ For constructing inexpensive sliding and lifting doors
- ▶ Good functional reliability



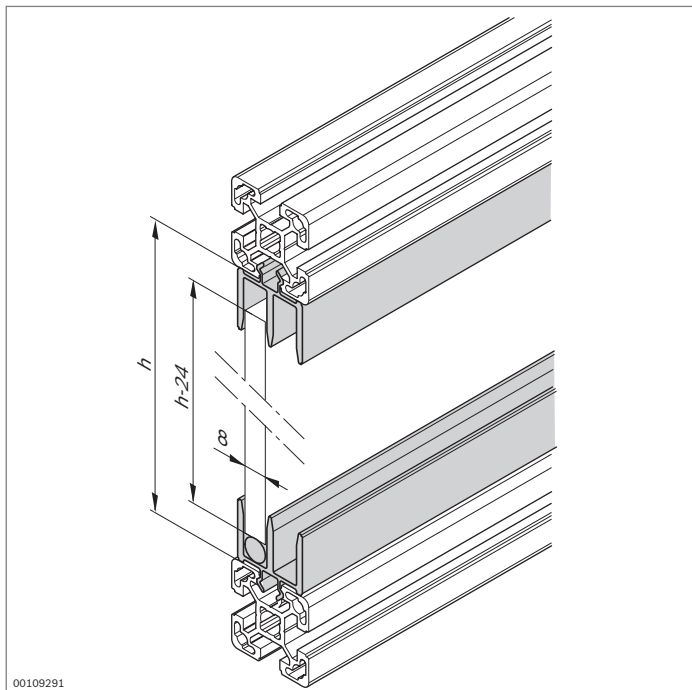
00109573

### Slider

 **No.**

10 **3 842 555 226**

Material: POM; signal gray RAL 7004



00109291

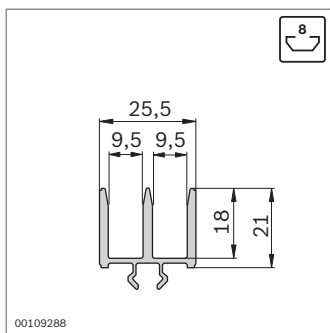
### Sliding door profile, PVC



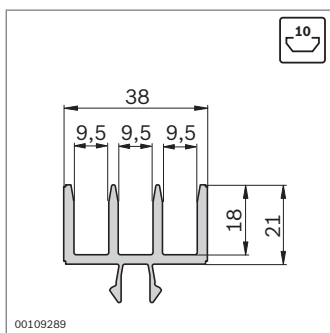
- ▶ Can be clipped into the supporting frame made of strut profiles
- ▶ Round bar to minimize the displacement force required
- ▶ For panel elements of a thickness of 8 mm
- ▶ Insertion of the panel element into closed frame

Optional accessories:

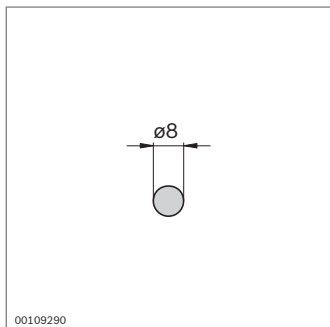
- ▶ Edge protector (p. 8-32)
- ▶ Door handle profile (p. 8-32)
- ▶ Bow-type handle (p. 8-23)



00109288



00109289



00109290

| Sliding door profile, PVC | Slot | L (mm) |    | No.                  |
|---------------------------|------|--------|----|----------------------|
|                           | 8    | 2000   | 10 | <b>3 842 555 262</b> |

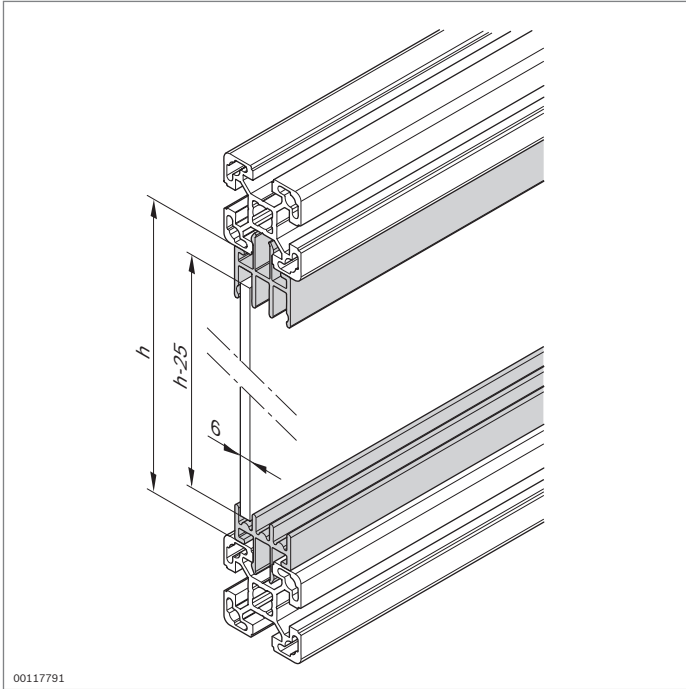
Material: PVC; signal gray RAL 7004

| Sliding door profile, PVC | Slot | L (mm) |    | No.                  |
|---------------------------|------|--------|----|----------------------|
|                           | 10   | 2000   | 10 | <b>3 842 555 260</b> |

Material: PVC; signal gray RAL 7004

| Round bar | L (mm) |    | No.                  |
|-----------|--------|----|----------------------|
|           | 2000   | 10 | <b>3 842 516 694</b> |

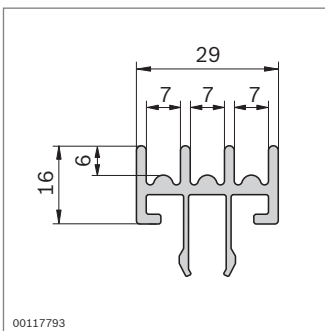
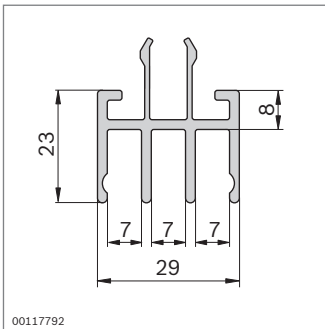
Material: POM; black



## Sliding door profile AI Clip



- ▶ Can be clipped into the supporting frame made of strut profiles
- ▶ Sliding door profile, bottom, with half-round floor contour to minimize the displacement force required
- ▶ For panel elements with a thickness of 5 or 6 mm
- ▶ Insertion of the panel element into closed frame

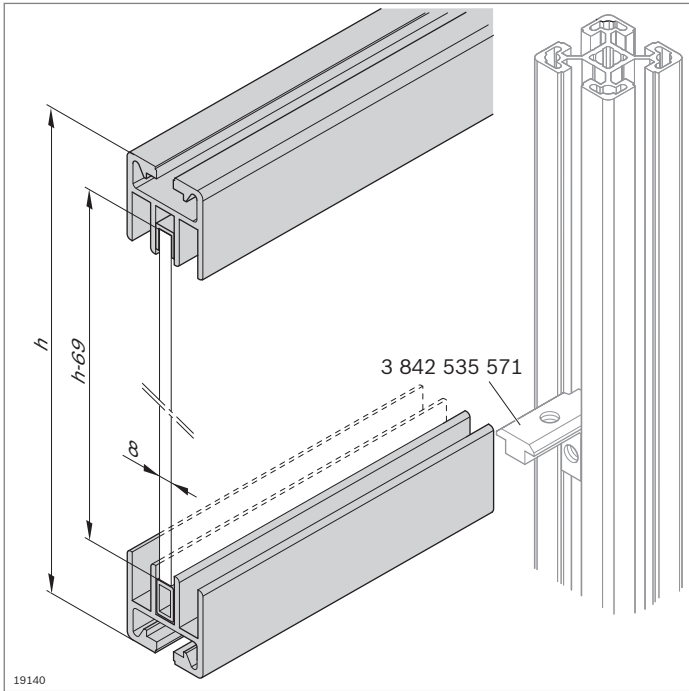


| Sliding door profile, top |  | L (mm)      | No.                      |
|---------------------------|--|-------------|--------------------------|
| 1 pc                      |  | 40 ... 3000 | <b>3 842 993 425 / L</b> |
| 10 pcs                    |  | 3000        | <b>3 842 536 531</b>     |

Material: Aluminum; anodized

| Sliding door profile, bottom |  | L (mm)      | No.                      |
|------------------------------|--|-------------|--------------------------|
| 1 pc                         |  | 40 ... 3000 | <b>3 842 993 426 / L</b> |
| 10 pcs                       |  | 3000        | <b>3 842 536 532</b>     |

Material: Aluminum; anodized



## Sliding door profile AI 45 Cover cap, end piece

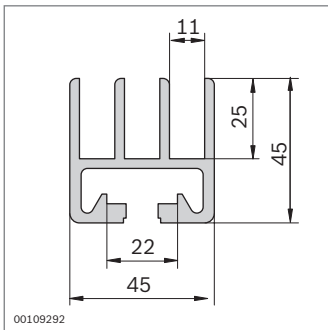


### Sliding door profile AI 45

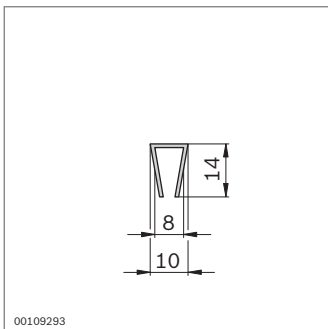
- ▶ Aluminum profile as a supporting construction element
- ▶ Installation using inner brackets between two vertical struts
- ▶ Glide profile to edge the upper part of the sliding door
- ▶ Insertion profile acts as a slide surface
- ▶ For panel elements of a thickness of 8 mm
- ▶ Insertion of the panel element into closed frame

#### Accessories:

- ▶ Cover cap (p. 8-31)
- ▶ End piece (p. 8-31)
- ▶ Inner bracket (p. 3-14), inner bracket R (p. 3-15)



00109292



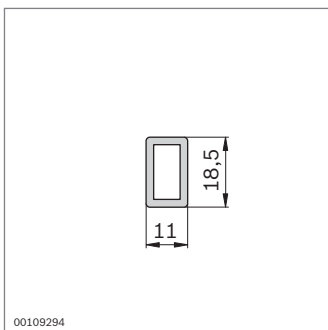
00109293

| Sliding door profile | L (mm)       | No.                      |
|----------------------|--------------|--------------------------|
| 1 pc                 | 100 ... 6070 | <b>3 842 990 115 / L</b> |
| 1 pc F1  F1          | 100 ... 6000 | <b>3 842 990 116 / L</b> |
| 20 pcs               | 6070         | <b>3 842 557 943</b>     |

Material: Aluminum; anodized

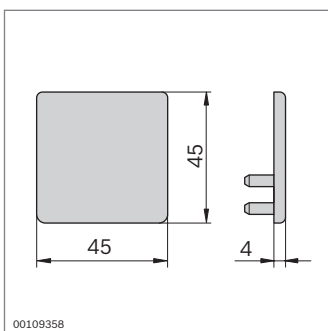
| Glide profile | L (mm)  | No.                  |
|---------------|---------|----------------------|
|               | 3000 10 | <b>3 842 554 724</b> |

Material: Hard PVC; signal gray RAL 7004



| Insertion profile | L (mm) | ESD | No.                  |
|-------------------|--------|-----|----------------------|
|                   | 3000   | 10  | <b>3 842 554 726</b> |

Material: PA; signal gray RAL 7004

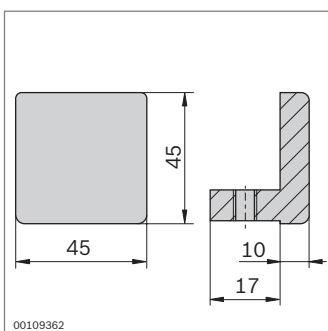


### Cover cap

- ▶ As a design element and to prevent injuries

| Cover cap | Color       | ESD | ESD | No.                  |
|-----------|-------------|-----|-----|----------------------|
|           | Signal gray | 20  |     | <b>3 842 551 662</b> |

Material: PP; signal gray RAL 7004



### FS1

 DIN 916  
M8x16

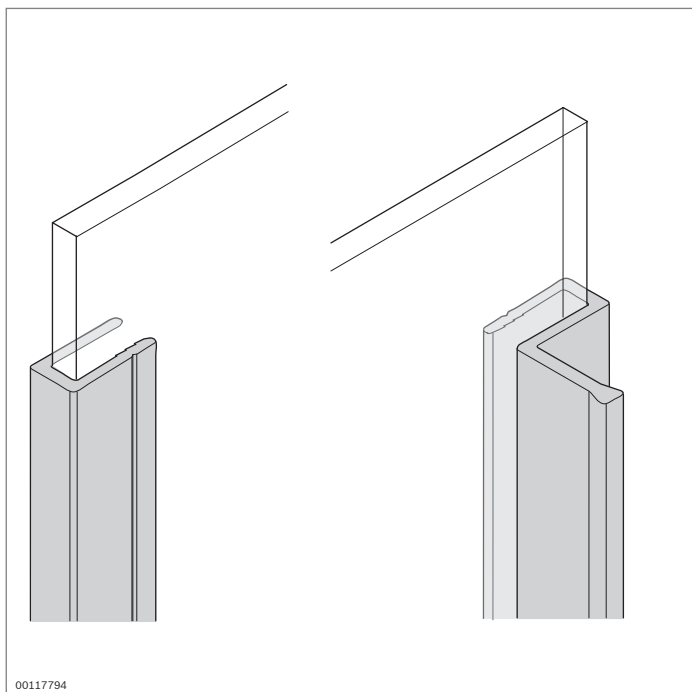
### End piece

- ▶ For use as a stop for sliding elements
- ▶ Clamping with setscrew in the profile slot

| End piece | ESD | ESD | No.                  | FS  |
|-----------|-----|-----|----------------------|-----|
|           |     | 20  | <b>3 842 191 194</b> | FS1 |

Material: Diecast aluminum

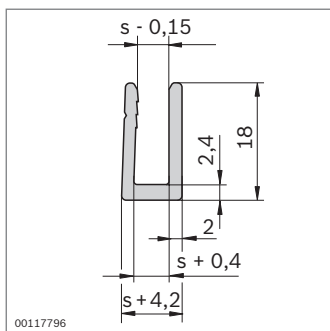
Scope of delivery: Incl. fastening material (FS)



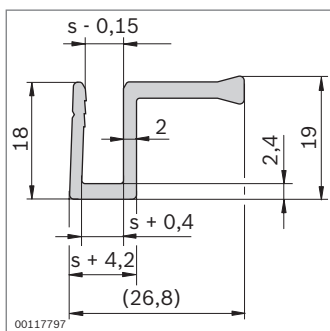
00117794

### Edge protector Door handle profile

- ▶ For reinforcing frameless panel elements on sliding doors
- ▶ Profile for  $s = 6$  mm can also be used for 1/4 inch plates



00117796



00117797

| Edge protector | s (mm) | L (mm)      | No.                      |
|----------------|--------|-------------|--------------------------|
| 1 pc           | 5      | 40 ... 3000 | <b>3 842 993 429 / L</b> |
| 10 pcs         | 5      | 3000        | <b>3 842 536 537</b>     |
| 1 pc           | 6      | 40 ... 3000 | <b>3 842 993 430 / L</b> |
| 10 pcs         | 6      | 3000        | <b>3 842 536 540</b>     |

Material: Aluminum; anodized

| Door handle profile | s (mm) | L (mm)      | No.                      |
|---------------------|--------|-------------|--------------------------|
| 1 pc                | 5      | 40 ... 3000 | <b>3 842 993 427 / L</b> |
| 10 pcs              | 5      | 3000        | <b>3 842 536 533</b>     |
| 1 pc                | 6      | 40 ... 3000 | <b>3 842 993 428 / L</b> |
| 10 pcs              | 6      | 3000        | <b>3 842 536 536</b>     |

Material: Aluminum; anodized