

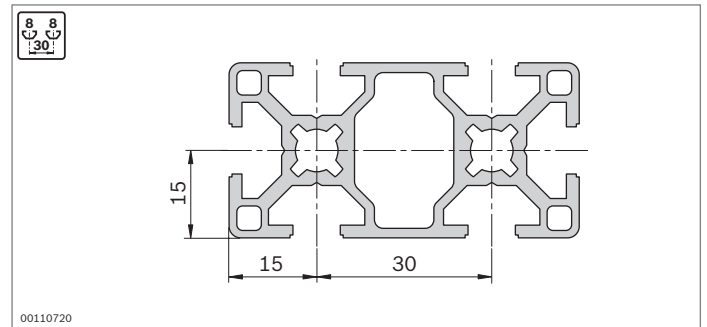
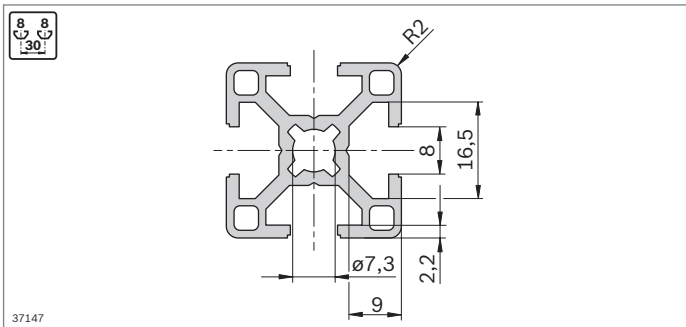
# Strut profiles with 8 mm slot

Strut profiles with a 8 mm slot are suitable for medium loads, such as material shuttles, light fixtures, frames and partition walls.

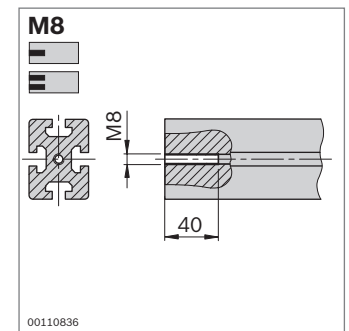
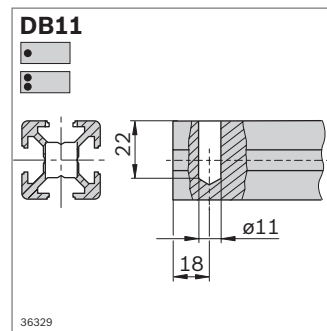
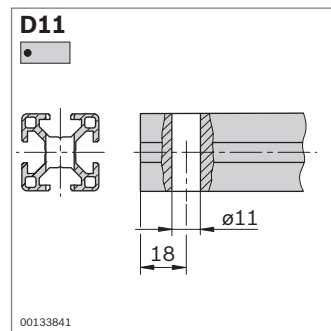
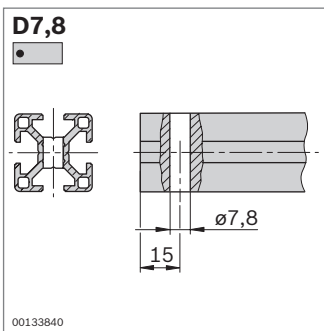
Profile 30x60x60 is suitable for constructing showcases and flow racks.

Attractive covers and hoods can be designed with radius profiles.

## Slot, modular dimensions, central bore



## Profile finishing



## Minimum profile lengths (mm) for Quick & Easy standard profile finishing on one or both sides

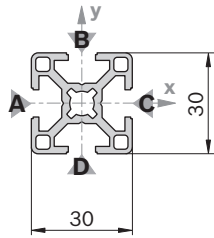
	-	M8	D7.8	D11/DB11
-	50	50	50	50
M8	50	80	62	70
D7.8	50	62	60	50
D11/DB11	50	70	50	60

## Reduced maximum profile lengths $L_{max i}$ at customized profile finishing

$L_{max}$ (mm)	$L_{max i}$ (mm)
6070	5400
3000	2300
2000	1300

**30x30**

A = 3,1 cm<sup>2</sup>  
 I<sub>x</sub> = 2,8 cm<sup>4</sup>  
 I<sub>y</sub> = 2,8 cm<sup>4</sup>  
 W<sub>x</sub> = 1,8 cm<sup>3</sup>  
 W<sub>y</sub> = 1,8 cm<sup>3</sup>  
 m = 0,9 kg/m



19178

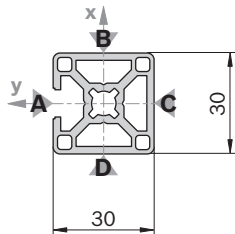
Cover cap	Color	ESD	No.
30x30 (1x)	Signal gray	100	3 842 548 744
30x30 (1x)	Black	20	3 842 548 745
Material:	PP		

Cover cap with hole	Color	ESD	No.
30x30 (1x)	Signal gray	20	3 842 548 774
30x30 (1x)	Black	20	3 842 548 775
Material:	PP		

Cover cap ZN	ESD No.	FS
30x30-ZN	3 842 518 204	FS1
Material:	Cover cap: Diecast zinc Fastening material: Steel; galvanized	

**30x30 1N**

A = 3,7 cm<sup>2</sup>  
 I<sub>x</sub> = 3,1 cm<sup>4</sup>  
 I<sub>y</sub> = 3,5 cm<sup>4</sup>  
 W<sub>x</sub> = 2,0 cm<sup>3</sup>  
 W<sub>y</sub> = 2,3 cm<sup>3</sup>  
 m = 1,0 kg/m

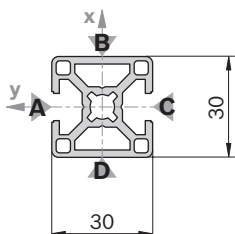


19179

Cover cap: see 30x30

**30x30 2N**

A = 3,5 cm<sup>2</sup>  
 I<sub>x</sub> = 2,8 cm<sup>4</sup>  
 I<sub>y</sub> = 3,5 cm<sup>4</sup>  
 W<sub>x</sub> = 2,1 cm<sup>3</sup>  
 W<sub>y</sub> = 2,7 cm<sup>3</sup>  
 m = 1,0 kg/m



19180

Cover cap: see 30x30

30x30	L (mm)	No.
1 pc	50 ... 6070	3 842 990 720 / L
1 pc M8	50 ... 6000	3 842 990 721 / L
1 pc M8-M8	80 ... 6000	3 842 990 723 / L
1 pc M8-D11	70 ... 6000	3 842 990 724 / L
1 pc D7,8-D7,8	60 ... 6000	3 842 992 965 / L
1 pc D11	50 ... 6000	3 842 990 722 / L
1 pc D11-D11	60 ... 6000	3 842 990 725 / L
1 pc D11-D11V	60 ... 6000	3 842 990 726 / L
20 pcs	6070	3 842 557 206

**Quick & Easy** (p. 2-7, see fold-out section)

30x30	3 842 993 703 / ...
Length L (mm)	50 ... 6070
Standard profile finishing L <sub>max</sub> = 6000 mm (note minimum length, p. 2-15)	M8 / D7.8 / D11 / DB11
Customized profile finishing (L <sub>max i</sub> = 5400 mm)	DI / DIS / MT / MTS / MI / MIS / DG <sup>1)</sup>

<sup>1)</sup> DG<sub>max</sub> = 45°; L<sub>min1</sub> / L<sub>min2</sub> = 352 / 404 mm



30x30 1N	L (mm)	No.
1 pc	50 ... 6070	3 842 992 397 / L
20 pcs	6070	3 842 557 208

**Quick & Easy** (p. 2-7, see fold-out section)

30x30 1N	3 842 993 704 / ...
Length L (mm)	50 ... 6070
Standard profile finishing L <sub>max</sub> = 6000 mm (note minimum length, p. 2-15)	M8 / D7.8 / D11 / DB11
Customized profile finishing (L <sub>max i</sub> = 5400 mm)	DI / DIS / MT / MTS / MI / MIS / DG <sup>1)</sup>

<sup>1)</sup> DG<sub>max</sub> = 45°; L<sub>min1</sub> / L<sub>min2</sub> = 352 / 404 mm

30x30 2N	L (mm)	No.
1 pc	50 ... 6070	3 842 992 399 / L
20 pcs	6070	3 842 557 220

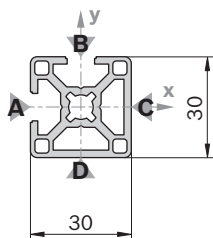
**Quick & Easy** (p. 2-7, see fold-out section)

30x30 2N	3 842 993 705 / ...
Length L (mm)	50 ... 6070
Standard profile finishing L <sub>max</sub> = 6000 mm (note minimum length, p. 2-15)	M8 / D7.8 / D11 / DB11
Customized profile finishing (L <sub>max i</sub> = 5400 mm)	DI / DIS / MT / MTS / MI / MIS / DG <sup>1)</sup>

<sup>1)</sup> DG<sub>max</sub> = 45°; L<sub>min1</sub> / L<sub>min2</sub> = 352 / 404 mm

**30x30 2NVS**

A = 3,5 cm<sup>2</sup>  
 I<sub>x</sub> = 3,1 cm<sup>4</sup>  
 I<sub>y</sub> = 3,1 cm<sup>4</sup>  
 W<sub>x</sub> = 2,0 cm<sup>3</sup>  
 W<sub>y</sub> = 2,0 cm<sup>3</sup>  
 m = 1,0 kg/m



19181

Cover cap: see 30x30

30x30 2NVS		L (mm)	No.
1 pc		50 ... 6070	<b>3 842 992 398 / L</b>
20 pcs		6070	<b>3 842 557 209</b>

**Quick & Easy** (p. 2-7, see fold-out section)

30x30 2NVS	3 842 993 706 / ...
------------	---------------------

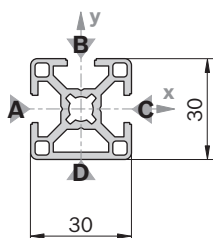
Length L (mm)	50 ... 6070
Standard profile finishing L <sub>max</sub> = 6000 mm (note minimum length, p. 2-15)	M8 / D7.8 / D11 / DB11

Customized profile finishing (L <sub>max i</sub> = 5400 mm)	DI / DIS / MT / MTS / MI / MIS / DG <sup>1)</sup>
---	---

<sup>1)</sup> DG<sub>max</sub> = 45°; L<sub>min1</sub> / L<sub>min2</sub> = 352 / 404 mm

**30x30 3N**

A = 3,3 cm<sup>2</sup>  
 I<sub>x</sub> = 3,1 cm<sup>4</sup>  
 I<sub>y</sub> = 2,8 cm<sup>4</sup>  
 W<sub>x</sub> = 2,3 cm<sup>3</sup>  
 W<sub>y</sub> = 2,1 cm<sup>3</sup>  
 m = 0,9 kg/m



19182

Cover cap: see 30x30

30x30 3N		L (mm)	No.
1 pc		50 ... 6070	<b>3 842 992 400 / L</b>
20 pcs		6070	<b>3 842 557 221</b>

**Quick & Easy** (p. 2-7, see fold-out section)

30x30 3N	3 842 993 707 / ...
----------	---------------------

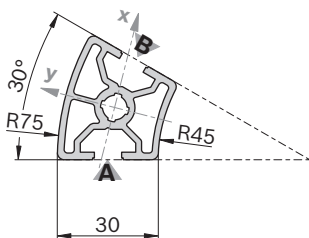
Length L (mm)	50 ... 6070
Standard profile finishing L <sub>max</sub> = 6000 mm (note minimum length, p. 2-15)	M8 / D7.8 / D11 / DB11

Customized profile finishing (L <sub>max i</sub> = 5400 mm)	DI / DIS / MT / MTS / MI / MIS / DG <sup>1)</sup>
---	---

<sup>1)</sup> DG<sub>max</sub> = 45°; L<sub>min1</sub> / L<sub>min2</sub> = 352 / 404 mm

**30x30°**

A = 3,7 cm<sup>2</sup>  
 I<sub>x</sub> = 3,5 cm<sup>4</sup>  
 I<sub>y</sub> = 3,6 cm<sup>4</sup>  
 W<sub>x</sub> = 2,0 cm<sup>3</sup>  
 W<sub>y</sub> = 1,9 cm<sup>3</sup>  
 m = 1,0 kg/m



19183

30x30°		L (mm)	No.
1 pc		50 ... 6070	<b>3 842 993 010 / L</b>
20 pcs		6070	<b>3 842 557 951</b>

**Quick & Easy** (p. 2-7, see fold-out section)

30x30°	3 842 993 708 / ...
--------	---------------------

Length L (mm)	50 ... 6070
Standard profile finishing L <sub>max</sub> = 6000 mm (note minimum length, p. 2-15)	M8

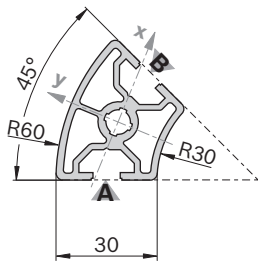
Customized profile finishing	—
------------------------------	---

Cover cap	Color	ESD		No.
30x30° (1x)	Signal gray	20		<b>3 842 551 008</b>
30x30° (1x)	Black		20	<b>3 842 551 009</b>

Material: PP

**30x45°**

A = 4,0 cm<sup>2</sup>  
 $I_x = 3,6 \text{ cm}^4$   
 $I_y = 5,1 \text{ cm}^4$   
 $W_x = 2,1 \text{ cm}^3$   
 $W_y = 2,3 \text{ cm}^3$   
 m = 1,1 kg/m



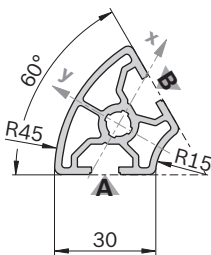
19184

Cover cap	Color	ESD	No.
30x45° (1x)	Signal gray	20	<b>3 842 551 010</b>
30x45° (1x)	Black	20	<b>3 842 551 011</b>

Material: PP

**30x60°**

A = 3,6 cm<sup>2</sup>  
 $I_x = 3,0 \text{ cm}^4$   
 $I_y = 4,1 \text{ cm}^4$   
 $W_x = 1,7 \text{ cm}^3$   
 $W_y = 1,9 \text{ cm}^3$   
 m = 1,0 kg/m



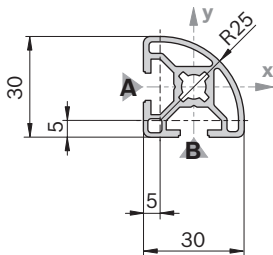
19185

Cover cap	Color	ESD	No.
30x60° (1x)	Signal gray	20	<b>3 842 551 012</b>
30x60° (1x)	Black	20	<b>3 842 551 013</b>

Material: PP

**30x30 R**

A = 2,9 cm<sup>2</sup>  
 $I_x = 2,3 \text{ cm}^4$   
 $I_y = 2,3 \text{ cm}^4$   
 $W_x = 1,4 \text{ cm}^3$   
 $W_y = 1,4 \text{ cm}^3$   
 m = 0,8 kg/m



19186

Cover cap	Color	ESD	No.
30x30 R (1x)	Signal gray	20	<b>3 842 548 776</b>
30x30 R (1x)	Black	20	<b>3 842 548 777</b>

Material: PP

30x45°	L (mm)	No.
1 pc	50 ... 6070	<b>3 842 993 011 / L</b>
20 pcs	6070	<b>3 842 557 952</b>

**Quick & Easy** (p. 2-7, see fold-out section)

30x45°	3 842 993 711 / ...
Length L (mm)	50 ... 6070
Standard profile finishing $L_{max} = 6000 \text{ mm}$	M8
(note minimum length, p. 2-15)	
Customized profile finishing	—

30x60°	L (mm)	No.
1 pc	50 ... 6070	<b>3 842 993 012 / L</b>
20 pcs	6070	<b>3 842 557 953</b>

**Quick & Easy** (p. 2-7, see fold-out section)

30x60°	3 842 993 714 / ...
Length L (mm)	50 ... 6070
Standard profile finishing $L_{max} = 6000 \text{ mm}$	M8
(note minimum length, p. 2-15)	
Customized profile finishing	—

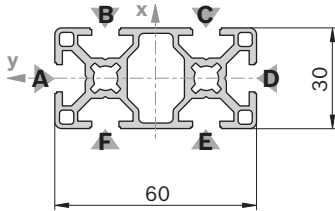
30x30 R	L (mm)	No.
1 pc	50 ... 6070	<b>3 842 992 896 / L</b>
20 pcs	6070	<b>3 842 557 947</b>

**Quick & Easy** (p. 2-7, see fold-out section)

30x30 R	3 842 993 709 / ...
Length L (mm)	50 ... 6070
Standard profile finishing $L_{max} = 6000 \text{ mm}$	M8 / DB11
(note minimum length, p. 2-15)	
Customized profile finishing	—

**30x60**

A = 5,5 cm<sup>2</sup>  
 I<sub>x</sub> = 19,6 cm<sup>4</sup>  
 I<sub>y</sub> = 5,1 cm<sup>4</sup>  
 W<sub>x</sub> = 7,0 cm<sup>3</sup>  
 W<sub>y</sub> = 3,9 cm<sup>3</sup>  
 m = 1,5 kg/m



Cover cap	Color	ESD	No.
30x30 (2x)	Signal gray	100	3 842 548 744
30x60 (1x)	Signal gray	20	3 842 548 780
30x30 (2x)	Black	20	3 842 548 745
30x60 (1x)	Black	20	3 842 548 781

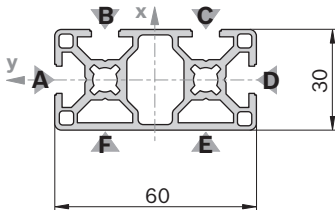
Material: PP

Cover cap with hole	Color	ESD	No.
30x30 (2x)	Signal gray	20	3 842 548 774
30x30 (2x)	Black	20	3 842 548 775

Material: PP

**30x60 4N**

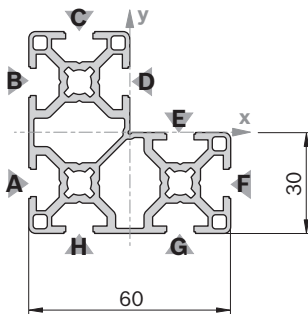
A = 5,8 cm<sup>2</sup>  
 I<sub>x</sub> = 20,2 cm<sup>4</sup>  
 I<sub>y</sub> = 5,5 cm<sup>4</sup>  
 W<sub>x</sub> = 6,7 cm<sup>3</sup>  
 W<sub>y</sub> = 3,8 cm<sup>3</sup>  
 m = 1,6 kg/m



Cover cap: see 30x60

**30x60x60**

A = 8,2 cm<sup>2</sup>  
 I<sub>x</sub> = 26,2 cm<sup>4</sup>  
 I<sub>y</sub> = 26,2 cm<sup>4</sup>  
 W<sub>x</sub> = 7,6 cm<sup>3</sup>  
 W<sub>y</sub> = 7,6 cm<sup>3</sup>  
 m = 2,2 kg/m



Cover cap	Color	ESD	No.
30x30 (3x)	Signal gray	100	3 842 548 744
30x30 (3x)	Black	20	3 842 548 745

Material: PP

30x60	L (mm)	No.
1 pc	50 ... 6070	3 842 992 457 / L
1 pc M8	50 ... 6000	3 842 992 458 / L
1 pc M8 M8	80 ... 6000	3 842 992 926 / L
1 pc D11	50 ... 6000	3 842 992 459 / L
1 pc D11 D11	60 ... 6000	3 842 992 460 / L
1 pc D11 D11V	60 ... 6000	3 842 992 463 / L
1 pc D11V D11V	60 ... 6000	3 842 992 462 / L
10 pcs	6070	3 842 557 205

Profile finishing: M8: in all core holes  
 D11: in slots B/F, C/E  
 D11V: in slots A/D

Quick & Easy (p. 2-7, see fold-out section)

30x60	3 842 993 712 / ...
Length L (mm)	50 ... 6070
Standard profile finishing L <sub>max</sub> = 6000 mm (note minimum length, p. 2-15)	M8 / D7.8 / D11 / DB11
Customized profile finishing (L <sub>max i</sub> = 5400 mm)	DI / DIS / MT / MTS / MI / MIS / DG <sup>1)</sup>
1) DG <sub>max</sub> = 45°; L <sub>min1</sub> / L <sub>min2</sub> = 404 / 508 mm	

30x60 4N	L (mm)	No.
1 pc	50 ... 6070	3 842 993 420 / L
10 pcs	6070	3 842 536 472

Quick & Easy (p. 2-7, see fold-out section)

30x60 4N	3 842 993 713 / ...
Length L (mm)	50 ... 6070
Standard profile finishing L <sub>max</sub> = 6000 mm (note minimum length, p. 2-15)	M8 / D7.8 / D11 / DB11
Customized profile finishing (L <sub>max i</sub> = 5400 mm)	DI / DIS / MT / MTS / MI / MIS / DG <sup>1)</sup>
1) DG <sub>max</sub> = 45°; L <sub>min1</sub> / L <sub>min2</sub> = 404 / 508 mm	

30x60x60	L (mm)	No.
1 pc	50 ... 6070	3 842 993 016 / L
20 pcs	6070	3 842 557 241

Quick & Easy (p. 2-7, see fold-out section)

30x60x60	3 842 993 715 / ...
Length L (mm)	50 ... 6070
Standard profile finishing L <sub>max</sub> = 6000 mm (note minimum length, p. 2-15)	M8 / D7.8 / D11 / DB11
Customized profile finishing (L <sub>max i</sub> = 5400 mm)	DI / DIS / MT / MTS / MI / MIS / DG <sup>1)</sup>
1) DG <sub>max</sub> = 45°; L <sub>min1</sub> / L <sub>min2</sub> = 404 / 508 mm	

**30x90**

$A = 7,7 \text{ cm}^2$   
 $I_x = 60,7 \text{ cm}^4$   
 $I_y = 7,3 \text{ cm}^4$   
 $W_x = 13,5 \text{ cm}^3$   
 $W_y = 4,9 \text{ cm}^3$   
 $m = 2,1 \text{ kg/m}$

19190

Cover cap	Color	ESD	No.
30x30 (3x)	Signal gray	100	<b>3 842 548 744</b>
30x30 (3x)	Black	20	<b>3 842 548 745</b>

Material: PP

Cover cap with hole	Color	ESD	No.
30x30 (3x)	Signal gray	20	<b>3 842 548 774</b>
30x30 (3x)	Black	20	<b>3 842 548 775</b>

Material: PP

**30x120**

$A = 9,9 \text{ cm}^2$   
 $I_x = 136,3 \text{ cm}^4$   
 $I_y = 9,6 \text{ cm}^4$   
 $W_x = 22,7 \text{ cm}^3$   
 $W_y = 6,4 \text{ cm}^3$   
 $m = 2,7 \text{ kg/m}$

19191

Cover cap	Color	ESD	No.
30x30 (4x)	Signal gray	100	<b>3 842 548 744</b>
30x60 (2x)	Signal gray	20	<b>3 842 548 780</b>
30x30 (4x)	Black	20	<b>3 842 548 745</b>
30x60 (2x)	Black	20	<b>3 842 548 781</b>

Material: PP

Cover cap with hole	Color	ESD	No.
30x30 (4x)	Signal gray	20	<b>3 842 548 774</b>
30x30 (4x)	Black	20	<b>3 842 548 775</b>

Material: PP

30x90	L (mm)	No.
20 pcs	6070	<b>3 842 541 937</b>

**Quick & Easy** (p. 2-7, see fold-out section)

30x90	3 842 993 762 / ...
Length L (mm)	50 ... 6070
Standard profile finishing $L_{max} = 6000 \text{ mm}$ (note minimum length, p. 2-15)	M8 / D7.8 (B,C,D,F, G,H) <sup>1)</sup> / D11 (B,C,D, F,G,H) <sup>1)</sup> / DB11
Customized profile finishing ( $L_{max i} = 5400 \text{ mm}$ )	DI / DIS / MT / MTS / MI / MIS / DG <sup>2)</sup>

<sup>1)</sup> For the specified slots

<sup>2)</sup>  $DG_{max} = 45^\circ$ ;  $L_{min1} / L_{min2} = 150 / 150 \text{ mm}$

30x120	L (mm)	No.
20 pcs	6070	<b>3 842 541 939</b>

**Quick & Easy** (p. 2-7, see fold-out section)

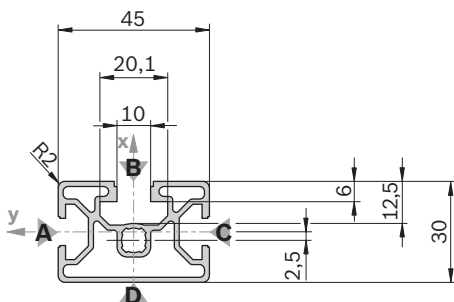
30x120	3 842 993 763 / ...
Length L (mm)	50 ... 6070
Standard profile finishing $L_{max} = 6000 \text{ mm}$ (note minimum length, p. 2-15)	M8 / D7.8 (B,C,D,E, G,H,I,J) <sup>1)</sup> / D11 (B,C,D, E,G,H,I,J) <sup>1)</sup> / DB11
Customized profile finishing ( $L_{max i} = 5400 \text{ mm}$ )	DI / DIS / MT / MTS / MI / MIS / DG <sup>2)</sup>

<sup>1)</sup> For the specified slots

<sup>2)</sup>  $DG_{max} = 45^\circ$ ;  $L_{min1} / L_{min2} = 150 / 150 \text{ mm}$

**30x45**

A = 4,0 cm<sup>2</sup>  
 I<sub>x</sub> = 8,1 cm<sup>4</sup>  
 I<sub>y</sub> = 3,9 cm<sup>4</sup>  
 W<sub>x</sub> = 3,9 cm<sup>3</sup>  
 W<sub>y</sub> = 2,9 cm<sup>3</sup>  
 m = 1,1 kg/m

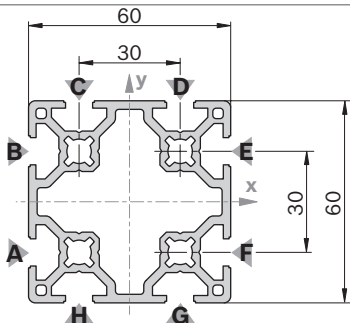


Cover cap	Color	ESD	No.
30x45 (1x)	Signal gray	20	3 842 548 778
30x45 (1x)	Black	20	3 842 548 779

Material: PP

**60x60 8N**

A = 9,8 cm<sup>2</sup>  
 I<sub>x</sub> = 39,7 cm<sup>4</sup>  
 I<sub>y</sub> = 39,7 cm<sup>4</sup>  
 W<sub>x</sub> = 13,2 cm<sup>3</sup>  
 W<sub>y</sub> = 13,2 cm<sup>3</sup>  
 m = 2,6 kg/m

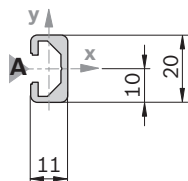


Cover cap	Color	ESD	No.
60x60 8N (1x)	Signal gray	20	3 842 551 046
60x60 8N (1x)	Black	20	3 842 551 047

Material: PP

**11x20**

A = 1,0 cm<sup>2</sup>  
 I<sub>x</sub> = 0,5 cm<sup>4</sup>  
 I<sub>y</sub> = 0,1 cm<sup>4</sup>  
 W<sub>x</sub> = 0,7 cm<sup>3</sup>  
 W<sub>y</sub> = 0,3 cm<sup>3</sup>  
 m = 0,3 kg/m



Cover cap	Color	ESD	No.
11x20 (1x)	Signal gray	20	3 842 551 044
11x20 (1x)	Black	20	3 842 551 045

Material: PP

30x45	L (mm)	No.
1 pc	50 ... 6070	3 842 992 430 / L
1 pc M8	50 ... 6000	3 842 992 431 / L
18 pcs	6070	3 842 557 203

Quick & Easy (p. 2-7, see fold-out section)

30x45	3 842 993 710 / ...
Length L (mm)	50 ... 6070
Standard profile finishing L <sub>max</sub> = 6000 mm (note minimum length, p. 2-15)	M8 / D7.8 (A,C) <sup>1)</sup> / D9.8 (B) <sup>1)</sup> / D11 (A,C) <sup>1)</sup> / DB11 / D17 (B) <sup>1)</sup>
Customized profile finishing (L <sub>max i</sub> = 5400 mm)	DI / DIS / MT / MTS / MI / MIS / DG <sup>2)</sup>

<sup>1)</sup> For the specified slots  
<sup>2)</sup> DG<sub>max</sub> = 45°; L<sub>min1</sub> / L<sub>min2</sub> = 378 / 456 mm

60x60 8N	L (mm)	No.
1 pc	50 ... 6070	3 842 993 033 / L
20 pcs	6070	3 842 535 176

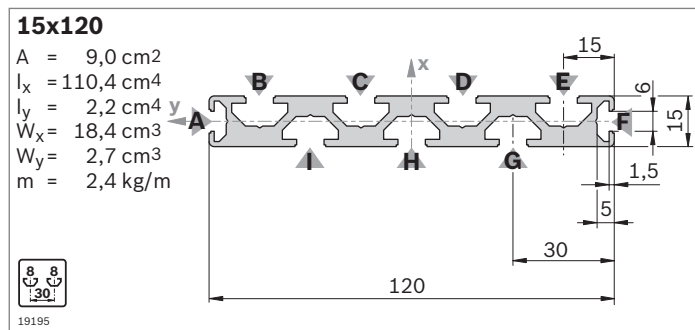
Quick & Easy (p. 2-7, see fold-out section)

60x60 8N	3 842 993 669 / ...
Length L (mm)	50 ... 6070
Standard profile finishing L <sub>max</sub> = 6000 mm (note minimum length, p. 2-15)	M8 / D7.8 / D11 / DB11
Customized profile finishing (L <sub>max i</sub> = 5400 mm)	DI / DIS / MT / MTS / MI / MIS / DG <sup>2)</sup>
<sup>2)</sup> DG <sub>max</sub> = 45°; L <sub>min1</sub> / L <sub>min2</sub> = 404 / 508 mm	

11x20	L (mm)	No.
1 pc	50 ... 2000	3 842 992 476 / L
10 pcs	2000	3 842 513 581

Quick & Easy (p. 2-7, see fold-out section)

11x20	3 842 993 688 / ...
Length L (mm)	50 ... 2000
Standard profile finishing (note minimum length, p. 2-15)	D7.8 / D11
Customized profile finishing	—



Cover cap	Color	ESD	No.
15x120 (1x)	Signal gray	20	<b>3 842 548 768</b>
15x120 (1x)	Black	20	<b>3 842 548 769</b>

Material: PP

15x120	L (mm)	No.
1 pc	50 ... 3000	<b>3 842 993 078 / L</b>
10 pcs	3000	<b>3 842 537 821</b>

**Quick & Easy** (p. 2-7, see fold-out section)

15x120	3 842 993 684 / ...
Length L (mm)	80 ... 3000
Standard profile finishing	D7.8 (B,C,D,E,G,H,I) <sup>1)</sup> / D11 (B,C,D,E,G,H,I) <sup>1)</sup>
Customized profile finishing (L <sub>max i</sub> = 2300 mm)	DI / DIS / MT / MTS / MI / MIS

<sup>1)</sup> For the specified slots