

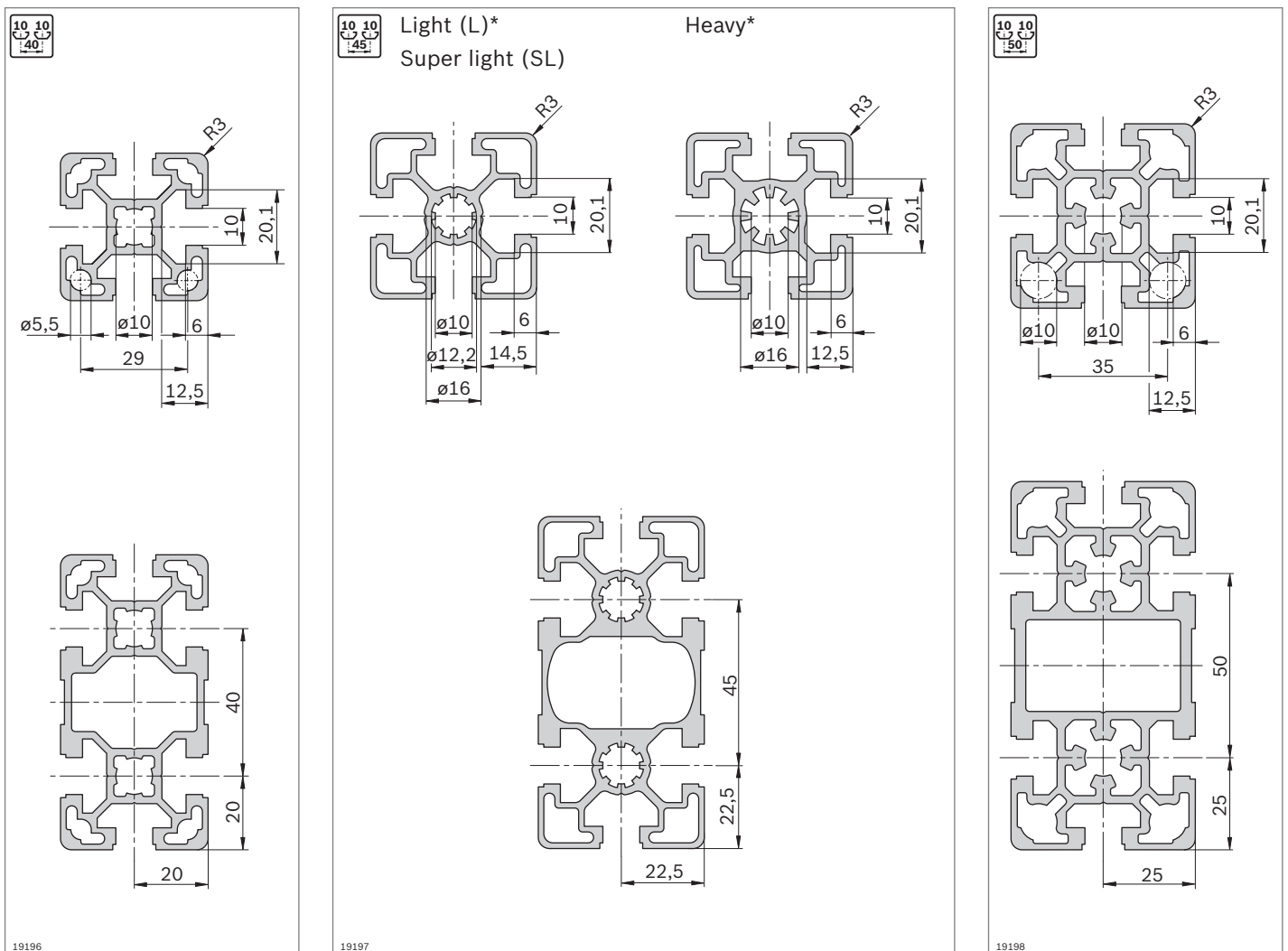
Strut profiles with 10 mm slot

The Rexroth modular profile system, with 10 mm slots in the modular dimensions 40 mm, 45 mm, 50 mm, and 60 mm, covers all conventional profile dimensions on the world market.

Thanks to their computer-optimized design, the strut

profiles L with 10 mm slot (modular dimensions 40 mm, 45 mm, and 50 mm, e.g. 50x50L) combine high strengths with minimum use of materials. This gives you a cost-effective and stable solution for the construction of tables, protection devices or frames, for instance.

Slot, modular dimensions, central bore



*) The following L-profiles have a "heavy" slot geometry:
45x90x90L; 45x90x90L 4N; 90x90L; 90x90L 4N; 90x90L 4NVS; 90x180L

Minimum profile lengths (mm) for Quick & Easy standard profile finishing on one or both sides

	-	M12	M16	D9.8	D17/DB17	F1
-	50	60	120	50	60	60
M12	60	110	180	90	90	110
M16	120	180	240	150	170	170
D9.8	50	90	150	80	70	90
D17/DB17	60	90	170	70	80	90
F1	60	110	170	90	90	80

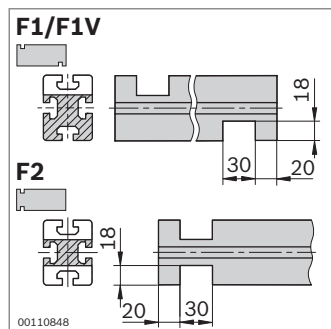
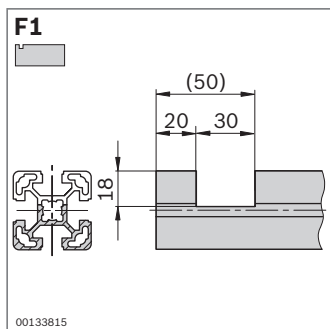
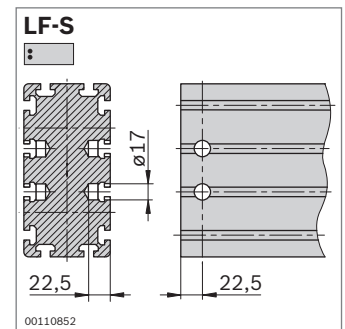
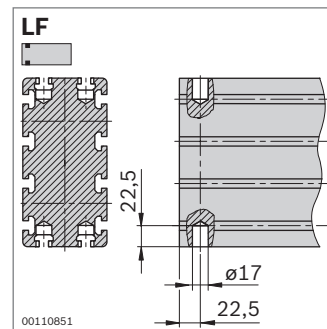
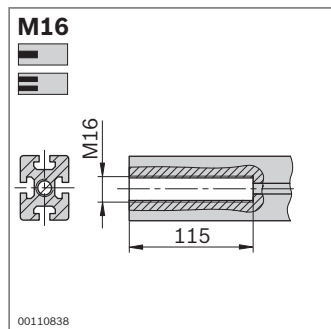
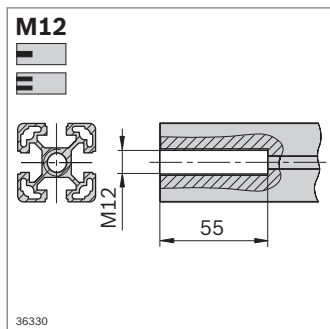
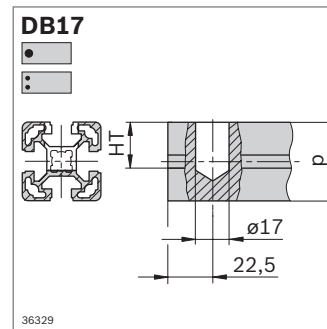
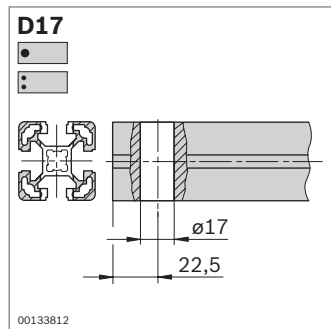
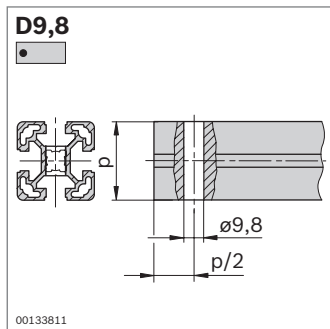
Reduced maximum profile lengths $L_{max i}$ at customized profile finishing

L_{max} (mm)	$L_{max i}$ (mm)
6070	5400
3000	2300
2000	1300

For applications with high loads, we recommend especially stable profiles with 10 mm slots, e.g. for heavy work tables, fixtures, machine frames, transport shuttles, protective enclosures, and handling systems.

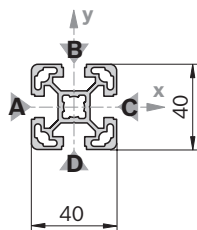
Due to its very sturdy design, this slot allows maximum strength connections.

Profile finishing



40x40L

A = 5,6 cm²
 I_x = 9,1 cm⁴
 I_y = 9,1 cm⁴
 W_x = 4,5 cm³
 W_y = 4,5 cm³
 m = 1,5 kg/m



19199

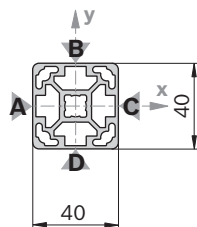
Cover cap	Color	ESD	No.
40x40 (1x)	Signal gray	100	3 842 548 746
40x40 (1x)	Black	20	3 842 548 747
Material:	PP		

Cover cap with hole	Color	ESD	No.
40x40 (1x)	Signal gray	20	3 842 548 782
40x40 (1x)	Black	20	3 842 548 783
Material:	PP		

Cover cap ZN	ESD No.	FS
40x40-ZN	3 842 541 807	FS2
Material:	Cover cap: Diecast zinc Fastening material: Steel; galvanized	

40x40L ON

A = 6,3 cm²
 I_x = 10,4 cm⁴
 I_y = 10,4 cm⁴
 W_x = 5,2 cm³
 W_y = 5,2 cm³
 m = 1,7 kg/m

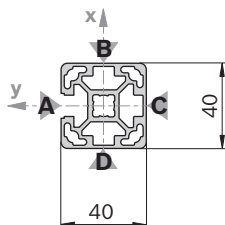


19200

Cover cap: see 40x40

40x40L 1N

A = 6,1 cm²
 I_x = 9,8 cm⁴
 I_y = 10,3 cm⁴
 W_x = 4,7 cm³
 W_y = 5,1 cm³
 m = 1,7 kg/m



19201

Cover cap: see 40x40

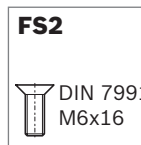
40x40L	L (mm)	No.
1 pc	50 ... 6070	3 842 993 120 / L
1 pc M12	60 ... 6000	3 842 993 121 / L
1 pc M12 M12	110 ... 6000	3 842 993 122 / L
1 pc M12 D17	90 ... 6000	3 842 993 123 / L
1 pc D17	60 ... 6000	3 842 993 124 / L
1 pc D17 D17	80 ... 6000	3 842 993 125 / L
1 pc D17 D17V	80 ... 6000	3 842 993 126 / L
1 pc D9,8 D9,8	80 ... 6000	3 842 993 129 / L
20 pcs	6070	3 842 529 339

Quick & Easy (p. 2-7, see fold-out section)

40x40L	3 842 993 724 / ...
Length L (mm)	50 ... 6070
Standard profile finishing L _{max} = 6000 mm (note minimum length, p. 2-24)	M12 / D9.8 / D17 / DB17 / F1 (A) ¹⁾
Customized profile finishing (L _{max i} = 5400 mm)	DI / DIS / MT / MTS / MI / MIS / DG ²⁾

¹⁾ For the specified slots

²⁾ DG_{max} = 45°; L_{min1} / L_{min2} = 370 / 440 mm



40x40L ON	L (mm)	No.
20 pcs	6070	3 842 540 954

Quick & Easy (p. 2-7, see fold-out section)

40x40L ON	3 842 993 760 / ...
Length L (mm)	50 ... 6070
Standard profile finishing L _{max} = 6000 mm (note minimum length, p. 2-24)	M12 / D9.8 / D17 / DB17
Customized profile finishing (L _{max i} = 5400 mm)	DI / DIS / MT / MTS / MI / MIS / DG ¹⁾

¹⁾ DG_{max} = 45°; L_{min1} / L_{min2} = 370 / 440 mm

40x40L 1N	L (mm)	No.
1 pc	50 ... 6070	3 842 993 185 / L
1 pc M12 M12	110 ... 6000	3 842 993 186 / L
20 pcs	6070	3 842 529 361

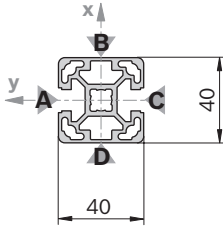
Quick & Easy (p. 2-7, see fold-out section)

40x40L 1N	3 842 993 719 / ...
Length L (mm)	50 ... 6070
Standard profile finishing L _{max} = 6000 mm (note minimum length, p. 2-24)	M12 / D9.8 / D17 / DB17
Customized profile finishing (L _{max i} = 5400 mm)	DI / DIS / MT / MTS / MI / MIS / DG ¹⁾

¹⁾ DG_{max} = 45°; L_{min1} / L_{min2} = 370 / 440 mm

40x40L 2N

A = 6,0 cm²
 $I_x = 9,0 \text{ cm}^4$
 $I_y = 10,3 \text{ cm}^4$
 $W_x = 4,5 \text{ cm}^3$
 $W_y = 5,2 \text{ cm}^3$
 m = 1,6 kg/m



19202

Cover cap: see 40x40

40x40L 2N		L (mm)	No.
1 pc		50 ... 6070	3 842 993 187 / L
1 pc	M12 M12	110 ... 6000	3 842 993 188 / L
20 pcs		6070	3 842 529 363

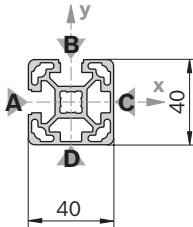
Quick & Easy (p. 2-7, see fold-out section)

40x40L 2N		3 842 993 720 / ...
Length L (mm)	50 ... 6070	
Standard profile finishing $L_{\max} = 6000 \text{ mm}$ (note minimum length, p. 2-24)	M12 / D9.8 / D17 / DB17	
Customized profile finishing ($L_{\max i} = 5400 \text{ mm}$)	DI / DIS / MT / MTS / MI / MIS / DG ¹⁾	

¹⁾ DG_{max} = 45°; $L_{\min 1} / L_{\min 2} = 370 / 440 \text{ mm}$

40x40L 2NVS

A = 6,0 cm²
 $I_x = 9,7 \text{ cm}^4$
 $I_y = 9,7 \text{ cm}^4$
 $W_x = 4,9 \text{ cm}^3$
 $W_y = 4,9 \text{ cm}^3$
 m = 1,6 kg/m



19203

Cover cap: see 40x40

40x40L 2NVS		L (mm)	No.
1 pc		50 ... 6070	3 842 993 189 / L
1 pc	M12 M12	110 ... 6000	3 842 993 190 / L
20 pcs		6070	3 842 529 365

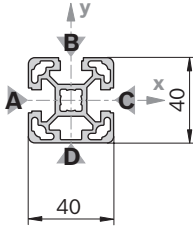
Quick & Easy (p. 2-7, see fold-out section)

40x40L 2NVS		3 842 993 721 / ...
Length L (mm)	50 ... 6070	
Standard profile finishing $L_{\max} = 6000 \text{ mm}$ (note minimum length, p. 2-24)	M12 / D9.8 / D17 / DB17	
Customized profile finishing ($L_{\max i} = 5400 \text{ mm}$)	DI / DIS / MT / MTS / MI / MIS / DG ¹⁾	

¹⁾ DG_{max} = 45°; $L_{\min 1} / L_{\min 2} = 370 / 440 \text{ mm}$

40x40L 3N

A = 5,8 cm²
 $I_x = 9,7 \text{ cm}^4$
 $I_y = 9,0 \text{ cm}^4$
 $W_x = 4,8 \text{ cm}^3$
 $W_y = 4,5 \text{ cm}^3$
 m = 1,6 kg/m



19204

Cover cap: see 40x40

40x40L 3N		L (mm)	No.
1 pc		50 ... 6070	3 842 993 191 / L
1 pc	M12 M12	110 ... 6000	3 842 993 192 / L
20 pcs		6070	3 842 529 367

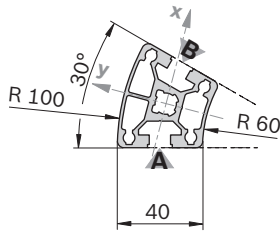
Quick & Easy (p. 2-7, see fold-out section)

40x40L 3N		3 842 993 722 / ...
Length L (mm)	50 ... 6070	
Standard profile finishing $L_{\max} = 6000 \text{ mm}$ (note minimum length, p. 2-24)	M12 / D9.8 / D17 / DB17	
Customized profile finishing ($L_{\max i} = 5400 \text{ mm}$)	DI / DIS / MT / MTS / MI / MIS / DG ¹⁾	

¹⁾ DG_{max} = 45°; $L_{\min 1} / L_{\min 2} = 370 / 440 \text{ mm}$

40x30°

$A = 6,2 \text{ cm}^2$
 $I_x = 9,4 \text{ cm}^4$
 $I_y = 11,8 \text{ cm}^4$
 $W_x = 4,7 \text{ cm}^3$
 $W_y = 5,9 \text{ cm}^3$
 $m = 1,7 \text{ kg/m}$

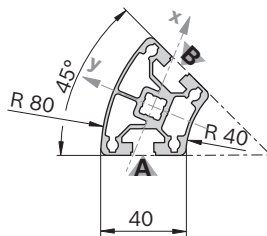


19205

Cover cap	Color	ESD	No.
40x30° (1x)	Signal gray	20	3 842 551 014
40x30° (1x)	Black	20	3 842 551 015
Material:	PP		

40x45°

$A = 6,8 \text{ cm}^2$
 $I_x = 9,9 \text{ cm}^4$
 $I_y = 16,6 \text{ cm}^4$
 $W_x = 5,0 \text{ cm}^3$
 $W_y = 8,3 \text{ cm}^3$
 $m = 1,8 \text{ kg/m}$

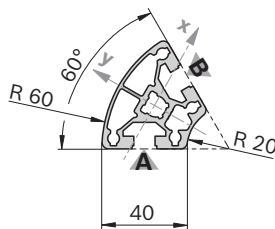


19206

Cover cap	Color	ESD	No.
40x45° (1x)	Signal gray	20	3 842 551 016
40x45° (1x)	Black	20	3 842 551 017
Material:	PP		

40x60°

$A = 6,3 \text{ cm}^2$
 $I_x = 8,7 \text{ cm}^4$
 $I_y = 13,1 \text{ cm}^4$
 $W_x = 4,3 \text{ cm}^3$
 $W_y = 6,5 \text{ cm}^3$
 $m = 1,7 \text{ kg/m}$



19207

Cover cap	Color	ESD	No.
40x60° (1x)	Signal gray	20	3 842 551 018
40x60° (1x)	Black	20	3 842 551 019
Material:	PP		

40x30°	L (mm)	No.
1 pc	50 ... 6070	3 842 993 195 / L
12 pcs	6070	3 842 529 371

Quick & Easy (p. 2-7, see fold-out section)

40x30°	3 842 993 718 / ...
Length L (mm)	50 ... 6070
Standard profile finishing $L_{max} = 6000 \text{ mm}$	M12
(note minimum length, p. 2-24)	
Customized profile finishing	—

40x45°	L (mm)	No.
1 pc	50 ... 6070	3 842 993 197 / L
12 pcs	6070	3 842 529 373

Quick & Easy (p. 2-7, see fold-out section)

40x45°	3 842 993 726 / ...
Length L (mm)	50 ... 6070
Standard profile finishing $L_{max} = 6000 \text{ mm}$	M12
(note minimum length, p. 2-24)	
Customized profile finishing	—

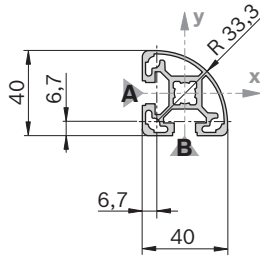
40x60°	L (mm)	No.
1 pc	50 ... 6070	3 842 993 198 / L
12 pcs	6070	3 842 529 375

Quick & Easy (p. 2-7, see fold-out section)

40x60°	3 842 993 727 / ...
Length L (mm)	50 ... 6070
Standard profile finishing $L_{max} = 6000 \text{ mm}$	M12
(note minimum length, p. 2-24)	
Customized profile finishing	—

40x40L R

A = 5,0 cm²
 $I_x = 7,2 \text{ cm}^4$
 $I_y = 7,2 \text{ cm}^4$
 $W_x = 3,6 \text{ cm}^3$
 $W_y = 3,6 \text{ cm}^3$
 m = 1,3 kg/m



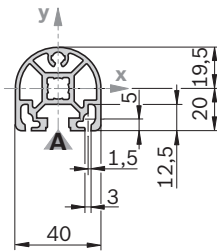
19208

Cover cap	Color	ESD	No.
40x40 R (1x)	Signal gray	20	3 842 548 784
40x40 R (1x)	Black	20	3 842 548 785

Material: PP

40x40 HR

A = 5,5 cm²
 $I_x = 8,1 \text{ cm}^4$
 $I_y = 7,6 \text{ cm}^4$
 $W_x = 4,0 \text{ cm}^3$
 $W_y = 3,6 \text{ cm}^3$
 m = 1,5 kg/m



19209

Cover cap	Color	ESD	No.
40x40 HR (1x)	Signal gray	20	3 842 548 786
40x40 HR (1x)	Black	20	3 842 548 787

Material: PP

Cover cap with hole ¹⁾	Color	ESD	No.
40x40 HR (1x)	Signal gray	20	3 842 548 786
40x40 HR (1x)	Black	20	3 842 548 787

Material: PP

¹⁾ The cover cap is also suitable for use with a hole, which can be broken out

40x40L R	L (mm)	No.
1 pc	50 ... 6070	3 842 993 184 / L
20 pcs	6070	3 842 529 359

Quick & Easy (p. 2-7, see fold-out section)

40x40L R	3 842 993 725 / ...
Length L (mm)	50 ... 6070
Standard profile finishing $L_{max} = 6000 \text{ mm}$ (note minimum length, p. 2-24)	M12 / DB17 (A,B) ¹⁾
Customized profile finishing	—

¹⁾ For the specified slots

40x40 HR	L (mm)	No.
1 pc	50 ... 6070	3 842 993 256 / L
1 pc M12	110 ... 6000	3 842 993 257 / L
20 pcs	6070	3 842 529 381

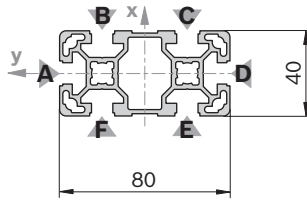
Quick & Easy (p. 2-7, see fold-out section)

40x40 HR	3 842 993 723 / ...
Length L (mm)	50 ... 6070
Standard profile finishing $L_{max} = 6000 \text{ mm}$ (note minimum length, p. 2-24)	M12 / DB17
Customized profile finishing ($L_{max i} = 5400 \text{ mm}$)	DI / DIS / MT / MTS / MI / MIS / DG ¹⁾

¹⁾ $DG_{max} = 45^\circ$; $L_{min1} / L_{min2} = 370 / 440 \text{ mm}$

40x80L

A = 9,9 cm²
 I_x = 63,4 cm⁴
 I_y = 17,3 cm⁴
 W_x = 15,9 cm³
 W_y = 8,7 cm³
 m = 2,7 kg/m



19210

Cover cap	Color	ESD	No.
40x80 (1x)	Signal gray	20	3 842 548 748
40x80 (1x)	Black	20	3 842 548 749

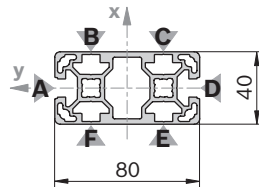
Material: PP

Cover cap with hole	Color	ESD	No.
40x80 (1x)	Signal gray	20	3 842 548 788
40x80 (1x)	Black	20	3 842 548 789

Material: PP

40x80L 2N

A = 10,9 cm²
 I_x = 66,6 cm⁴
 I_y = 20,8 cm⁴
 W_x = 16,6 cm³
 W_y = 10,4 cm³
 m = 2,9 kg/m

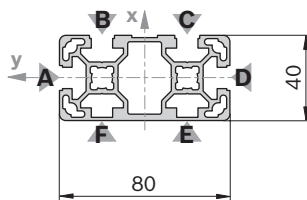


33094

Cover cap: see 40x80

40x80L 4N

A = 10,4 cm²
 I_x = 65,2 cm⁴
 I_y = 19,1 cm⁴
 W_x = 16,3 cm³
 W_y = 9,9 cm³
 m = 2,8 kg/m



19211

Cover cap: see 40x80

40x80L	L (mm)	No.
1 pc	50 ... 6070	3 842 993 130 / L
1 pc M12	60 ... 6000	3 842 993 131 / L
1 pc M12	110... 6000	3 842 993 132 / L
1 pc D17	80 ... 6000	3 842 993 135 / L
1 pc D17	80 ... 6000	3 842 993 136 / L
1 pc D17V	60 ... 6000	3 842 993 137 / L
1 pc D17V	80 ... 6000	3 842 993 138 / L
12 pcs	6070	3 842 529 341

Profile finishing: M12: in all core holes
 D17: in slots B/F, C/E
 D17V: in slots A/D

Quick & Easy (p. 2-7, see fold-out section)

40x80L	3 842 993 728 / ...
Length L (mm)	50 ... 6070
Standard profile finishing L _{max} = 6000 mm (note minimum length, p. 2-24)	M12 / D9.8 / D17 / DB17 / F1 (A,D) ¹⁾
Customized profile finishing (L _{max i} = 5400 mm)	DI / DIS / MT / MTS / MI / MIS / DG ²⁾

¹⁾ For the specified slots
²⁾ DG_{max} = 45°; L_{min1} / L_{min2} = 439 / 578 mm

40x80L 2N	L (mm)	No.
12 pcs	6070	3 842 555 650

Quick & Easy (p. 2-7, see fold-out section)

40x80L 2N	3 842 993 768 / ...
Length L (mm)	50 ... 6070
Standard profile finishing L _{max} = 6000 mm (note minimum length, p. 2-24)	M12 / D9.8 / D17 / DB17 / F1 (A,D) ¹⁾
Customized profile finishing (L _{max i} = 5400 mm)	DI / DIS / MT / MTS / MI / MIS / DG ²⁾

¹⁾ For the specified slots
²⁾ DG_{max} = 45°; L_{min1} / L_{min2} = 439 / 578 mm

40x80L 4N	L (mm)	No.
1 pc	50 ... 6070	3 842 993 424 / L
12 pcs	6070	3 842 536 484

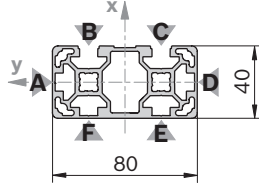
Quick & Easy (p. 2-7, see fold-out section)

40x80L 4N	3 842 993 729 / ...
Length L (mm)	50 ... 6070
Standard profile finishing L _{max} = 6000 mm (note minimum length, p. 2-24)	M12 / D9.8 / D17 / DB17 / F1 (A,D) ¹⁾
Customized profile finishing (L _{max i} = 5400 mm)	DI / DIS / MT / MTS / MI / MIS / DG ²⁾

¹⁾ For the specified slots
²⁾ DG_{max} = 45°; L_{min1} / L_{min2} = 439 / 578 mm

40x80L 2NVS

A = 10,7 cm²
 I_x = 67,8 cm⁴
 I_y = 19,0 cm⁴
 W_x = 17,0 cm³
 W_y = 9,5 cm³
 m = 2,9 kg/m

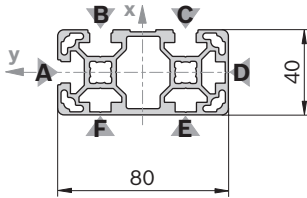


33093

Cover cap: see 40x80

40x80L 3NVS

A = 10,6 cm²
 I_x = 67,8 cm⁴
 I_y = 19,0 cm⁴
 W_x = 17,0 cm³
 W_y = 9,5 cm³
 m = 2,9 kg/m

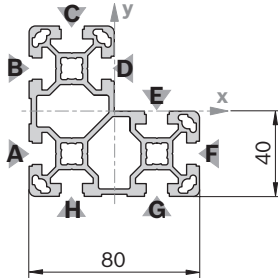


19212

Cover cap: see 40x80

40x80x80L

A = 15,4 cm²
 I_x = 96,6 cm⁴
 I_y = 96,6 cm⁴
 W_x = 24,2 cm³
 W_y = 24,2 cm³
 m = 4,2 kg/m



19213

Cover cap	Color	ESD	No.
40x80x80 (1x)	Signal gray	20	3 842 548 790
40x80x80 (1x)	Black	20	3 842 548 791

Material: PP

40x80L 2NVS	L (mm)	No.
12 pcs	6070	3 842 555 649

Quick & Easy (p. 2-7, see fold-out section)

40x80 L 2NVS	3 842 993 767 / ...
--------------	---------------------

Length L (mm)	50 ... 6070
Standard profile finishing L _{max} = 6000 mm (note minimum length, p. 2-24)	M12 / D9.8 / D17 / DB17

Customized profile finishing (L _{max i} = 5400 mm)	DI / DIS / MT / MTS / MI / MIS / DG ¹⁾
---	---

¹⁾ DG_{max} = 45°; L_{min1} / L_{min2} = 439 / 578 mm

40x80L 3NVS	L (mm)	No.
-------------	--------	-----

1 pc	50 ... 6070	3 842 993 654 / L
12 pcs	6070	3 842 538 330

Quick & Easy (p. 2-7, see fold-out section)

40x80L 3NVS	3 842 993 753 / ...
-------------	---------------------

Length L (mm)	50 ... 6070
Standard profile finishing L _{max} = 6000 mm (note minimum length, p. 2-24)	M12 / D9.8 / D17 / DB17

Customized profile finishing (L _{max i} = 5400 mm)	DI / DIS / MT / MTS / MI / MIS / DG ¹⁾
---	---

¹⁾ DG_{max} = 45°; L_{min1} / L_{min2} = 439 / 578 mm

40x80x80L	L (mm)	No.
-----------	--------	-----

1 pc	50 ... 6070	3 842 993 193 / L
8 pc	6070	3 842 537 827

Quick & Easy (p. 2-7, see fold-out section)

40x80x80L	3 842 993 730 / ...
-----------	---------------------

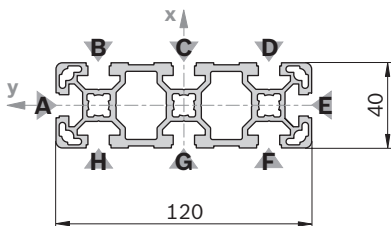
Length L (mm)	50 ... 6070
Standard profile finishing L _{max} = 6000 mm (note minimum length, p. 2-24)	M12 / D9.8 / D17 / DB17

Customized profile finishing (L _{max i} = 5400 mm)	DI / DIS / MT / MTS / MI / MIS / DG ¹⁾
---	---

¹⁾ DG_{max} = 45°; L_{min1} / L_{min2} = 439 / 578 mm

40x120L

A = 15,5 cm²
 I_x = 203,2 cm⁴
 I_y = 27,8 cm⁴
 W_x = 33,9 cm³
 W_y = 13,9 cm³
 m = 4,2 kg/m



19214

Cover cap	Color	ESD	No.
40x40 (1x)	Signal gray	100	3 842 548 746
40x80 (1x)	Signal gray	20	3 842 548 748
40x40 (1x)	Black	20	3 842 548 747
40x80 (1x)	Black	20	3 842 548 749

Material: PP

Notice:

For the 40x120L profile you require the following combination of cover caps: 1x 40x40 und 1x 40x80

40x120L	L (mm)	No.
1 pc	50 ... 6070	3 842 993 139 / L
1 pc M12	60 ... 6000	3 842 993 140 / L
1 pc M12 M12	110 ... 6000	3 842 993 141 / L
1 pc D17 D17	80 ... 6000	3 842 993 142 / L
1 pc D17V D17V	90 ... 6000	3 842 993 225 / L
8 pc	6070	3 842 537 824

Profile finishing: M12: in all core holes
 D17: in slots B/H, C/G, D/F
 D17V: in slots A/E

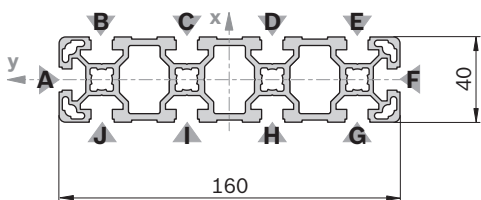
Quick & Easy (p. 2-7, see fold-out section)

40x120L	3 842 993 716 / ...
Length L (mm)	50 ... 6070
Standard profile finishing L _{max} = 6000 mm (note minimum length, p. 2-24)	M12 / D9.8 (B,C,D,F, G,H) ¹⁾ / D17 (B,C,D,F, G,H) ¹⁾ / DB17 / F1 (A,E) ¹⁾
Customized profile finishing (L _{max i} = 5400 mm)	DI / DIS / MT / MTS / MI / MIS / DG ²⁾

¹⁾ For the specified slots
²⁾ DG_{max} = 45°; L_{min1} / L_{min2} = 439 / 578 mm

40x160L

A = 20,5 cm²
 I_x = 466,7 cm⁴
 I_y = 37,2 cm⁴
 W_x = 58,3 cm³
 W_y = 18,6 cm³
 m = 5,5 kg/m



19215

Cover cap	Color	ESD	No.
40x80 (2x)	Signal gray	20	3 842 548 748
40x80 (2x)	Black	20	3 842 548 749

Material: PP

40x160L	L (mm)	No.
1 pc	50 ... 6070	3 842 993 143 / L
1 pc M12	60 ... 6000	3 842 993 144 / L
1 pc M12 M12	110 ... 6000	3 842 993 145 / L
1 pc D17 D17	80 ... 6000	3 842 993 146 / L
6 pcs	6070	3 842 529 345

Profile finishing: M12: in all core holes
 D17: in slots B/J, C/I, D/H, E/G

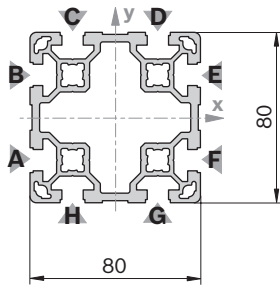
Quick & Easy (p. 2-7, see fold-out section)

40x160L	3 842 993 717 / ...
Length L (mm)	80 ... 6070
Standard profile finishing L _{max} = 6000 mm (note minimum length, p. 2-24)	M12 / D9.8 (B,C,D,E,G,H, I,J) ¹⁾ / D17 (B,C,D,E,G,H, I,J) ¹⁾ / DB17 / F1 (A,F) ¹⁾
Customized profile finishing (L _{max i} = 5400 mm)	DI / DIS / MT / MTS / MI / MIS / DG ²⁾

¹⁾ For the specified slots
²⁾ DG_{max} = 45°; L_{min1} / L_{min2} = 439 / 578 mm

80x80L

A = 18,2 cm²
 $I_x = 132,1 \text{ cm}^4$
 $I_y = 132,1 \text{ cm}^4$
 $W_x = 33,0 \text{ cm}^3$
 $W_y = 33,0 \text{ cm}^3$
 m = 4,9 kg/m



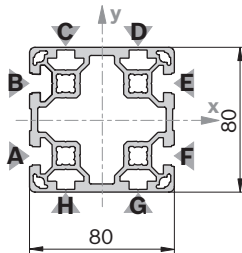
19216

Cover cap	Color	ESD	No.
80x80 (1x)	Signal gray	20	3 842 548 750
80x80 (1x)	Black	20	3 842 548 751

Material: PP

80x80L 4N

A = 19,1 cm²
 $I_x = 142,5 \text{ cm}^4$
 $I_y = 142,5 \text{ cm}^4$
 $W_x = 35,6 \text{ cm}^3$
 $W_y = 35,6 \text{ cm}^3$
 m = 5,2 kg/m



36363

Cover cap	Color	ESD	No.
80x80 (1x)	Signal gray	20	3 842 548 750
80x80 (1x)	Black	20	3 842 548 751

Material: PP

80x80L	L (mm)	No.
1 pc	50 ... 6070	3 842 993 133 / L
1 pc M12	60 ... 6000	3 842 993 134 / L
1 pc M12 M12	110 ... 6000	3 842 993 147 / L
1 pc M12 D17	90 ... 6000	3 842 993 148 / L
1 pc D17	60 ... 6000	3 842 993 149 / L
1 pc D17 D17	80 ... 6000	3 842 993 150 / L
1 pc D17 D17V	80 ... 6000	3 842 993 151 / L
6 pcs	6070	3 842 529 347

Profile finishing: M12: in all core holes
 D17: in slots A/F, B/E
 D17V: in slots C/H, D/G

Quick & Easy (p. 2-7, see fold-out section)

80x80L	3 842 993 674 / ...
Length L (mm)	50 ... 6070
Standard profile finishing $L_{max} = 6000 \text{ mm}$ (note minimum length, p. 2-24)	M12 / D9.8 / D17 / DB17 / F1
Customized profile finishing ($L_{max i} = 5400 \text{ mm}$)	DI / DIS / MT / MTS / MI / MIS / DG ¹⁾

¹⁾ $DG_{max} = 45^\circ$; $L_{min1} / L_{min2} = 439 / 578 \text{ mm}$

80x80L 4N	L (mm)	No.
6 pcs	6070	3 842 555 651

Quick & Easy (p. 2-7, see fold-out section)

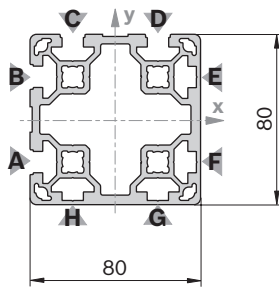
80x80L 4N	3 842 993 769 / ...
Length L (mm)	50 ... 6070
Standard profile finishing $L_{max} = 6000 \text{ mm}$ (note minimum length, p. 2-24)	M12 / D9.8 / D17 / DB17 / F1 (A, B, E, F) ¹⁾
Customized profile finishing ($L_{max i} = 5400 \text{ mm}$)	DI / DIS / MT / MTS / MI / MIS / DG ²⁾

¹⁾ For the specified slots

²⁾ $DG_{max} = 45^\circ$; $L_{min1} / L_{min2} = 439 / 578 \text{ mm}$

80x80L 4NVS

A = 19,3 cm²
 I_x = 142,5 cm⁴
 I_y = 142,5 cm⁴
 W_x = 35,6 cm³
 W_y = 35,6 cm³
 m = 5,2 kg/m



19416

Cover cap: see 80x80

80x80L 4NVS		L (mm)	No.
1 pc		50 ... 6070	3 842 993 658 / L
6 pcs		6070	3 842 538 334

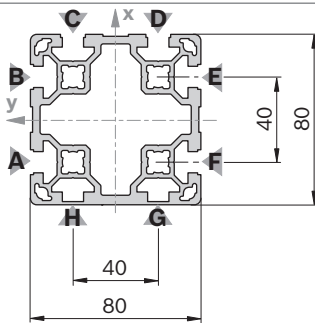
Quick & Easy (p. 2-7, see fold-out section)

80x80L 4NVS		3 842 993 758 / ...	
Length L (mm)		50 ... 6070	
Standard profile finishing L _{max} = 6000 mm (note minimum length, p. 2-24)		M12 / D9.8 / D17 / DB17	
Customized profile finishing (L _{max i} = 5400 mm)		DI / DIS / MT / MTS / MI / MIS / DG ¹⁾	

¹⁾ DG_{max} = 45°; L_{min1} / L_{min2} = 439 / 578 mm

80x80L 6N

A = 18,8 cm²
 I_x = 134,1 cm⁴
 I_y = 140,9 cm⁴
 W_x = 33,5 cm³
 W_y = 36,2 cm³
 m = 5,1 kg/m



19417

Cover cap: see 80x80

80x80L 6N		L (mm)	No.
1 pc		50 ... 6070	3 842 993 423 / L
6 pcs		6070	3 842 536 481

Quick & Easy (p. 2-7, see fold-out section)

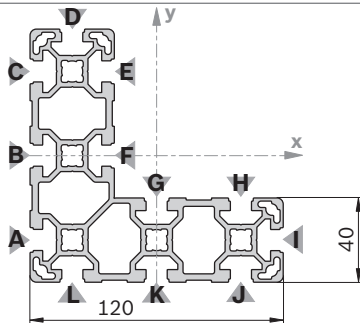
80x80L 6N		3 842 993 675 / ...	
Length L (mm)		50 ... 6070	
Standard profile finishing L _{max} = 6000 mm (note minimum length, p. 2-24)		M12 / D9.8 / D17 / DB17 / F1 (A,C,F) ¹⁾	
Customized profile finishing (L _{max i} = 5400 mm)		DI / DIS / MT / MTS / MI / MIS / DG ²⁾	

¹⁾ For the specified slots

²⁾ DG_{max} = 45°; L_{min1} / L_{min2} = 439 / 578 mm

40x120x120L

A = 24,6 cm²
 I_x = 318,0 cm⁴
 I_y = 318,0 cm⁴
 W_x = 42,2 cm³
 W_y = 42,2 cm³
 m = 6,7 kg/m



19418

Cover cap	Color	ESD		No.
40x40 (5x)	Signal gray	100		3 842 548 746
40x80 (2x)	Signal gray	20		3 842 548 748
40x40 (1x)	Signal gray	100		3 842 548 746
40x40 (5x)	Black		20	3 842 548 747
40x80 (2x)	Black		20	3 842 548 749
40x40 (1x)	Black		20	3 842 548 747

Material: PP

Notice:

for the 40x120x120L profile you require the following combination of cover caps: 5x 40x40 or 2x 40x80 and 1x 40x40

40x120x120L		L (mm)	No.
1 pc		50 ... 6070	3 842 993 653 / L
4 pcs		6070	3 842 538 287

Quick & Easy (p. 2-7, see fold-out section)

40x120x120L		3 842 993 757 / ...	
Length L (mm)		50 ... 6070	
Standard profile finishing L _{max} = 6000 mm (note minimum length, p. 2-24)		M12 / D9.8 (B,C,J,K) ¹⁾ / D17 / DB17 (A,B,C,D,I, J,K,L) ¹⁾ / F1 (D,I) ¹⁾	
Customized profile finishing (L _{max i} = 5400 mm)		DI / DIS / MT / MTS / MI / MIS / DG ²⁾	

¹⁾ For the specified slots

²⁾ DG_{max} = 45°; L_{min1} / L_{min2} = 420 / 540 mm

80x120L

$A = 25,6 \text{ cm}^2$
 $I_x = 389,2 \text{ cm}^4$
 $I_y = 192,8 \text{ cm}^4$
 $W_x = 64,9 \text{ cm}^3$
 $W_y = 48,2 \text{ cm}^3$
 $m = 6,9 \text{ kg/m}$

19419

Cover cap	Color	ESD	No.
80x120 (1x)	Signal gray	20	3 842 548 792
80x120 (1x)	Black	20	3 842 548 793

Material: PP

80x120L	L (mm)	No.
1 pc	50 ... 6070	3 842 993 201 / L
1 pc M12	60 ... 6000	3 842 993 202 / L
1 pc M12 M12	110 ... 6000	3 842 993 203 / L
1 pc D17 D17	80 ... 6000	3 842 993 204 / L
1 pc D17V D17V	90 ... 6000	3 842 993 229 / L
4 pcs	6070	3 842 537 828

Profile finishing: M12: in all core holes
D17: in slots C/J, D/I, E/H
D17V: in slots A/G, B/F

Quick & Easy (p. 2-7, see fold-out section)

80x120L	3 842 993 672 / ...
Length L (mm)	50 ... 6070
Standard profile finishing $L_{max} = 6000 \text{ mm}$ (note minimum length, p. 2-24)	M12 / D9.8 (C,D,E,H,I, J) ¹⁾ / D17 (C,D,E,H,I,J) ¹⁾ / DB17 / F1 (A,F) ¹⁾
Customized profile finishing ($L_{max i} = 5400 \text{ mm}$)	DI / DIS / MT / MTS / MI / MIS / DG ²⁾

¹⁾ For the specified slots

²⁾ $DG_{max} = 45^\circ$; $L_{min1} / L_{min2} = 439 / 578 \text{ mm}$

80x160L

$A = 32,9 \text{ cm}^2$
 $I_x = 850,7 \text{ cm}^4$
 $I_y = 253,4 \text{ cm}^4$
 $W_x = 106,3 \text{ cm}^3$
 $W_y = 63,4 \text{ cm}^3$
 $m = 8,9 \text{ kg/m}$

19420

Cover cap	Color	ESD	No.
80x80 (2x)	Signal gray	20	3 842 548 750
80x80 (2x)	Black	20	3 842 548 751

Material: PP

80x160L	L (mm)	No.
1 pc	50 ... 6070	3 842 993 127 / L
1 pc M12	60 ... 6000	3 842 993 128 / L
1 pc M12 M12	110 ... 6000	3 842 993 152 / L
1 pc M12 D17	90 ... 6000	3 842 993 153 / L
1 pc D17	60 ... 6000	3 842 993 154 / L
1 pc D17 D17	80 ... 6000	3 842 993 155 / L
1 pc D17V D17V	90 ... 6000	3 842 993 226 / L
3 pcs	6070	3 842 529 349

Profile finishing: M12: in all core holes
D17: in slots C/L, D/K, E/J, F/I
D17V: in slots A/H, B/G

Quick & Easy (p. 2-7, see fold-out section)

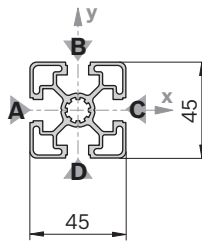
80x160L	3 842 993 673 / ...
Length L (mm)	80 ... 6070
Standard profile finishing $L_{max} = 6000 \text{ mm}$ (note minimum length, p. 2-24)	M12 / D9.8 (C,D,E,F,I, J,K,L) ¹⁾ / D17 (C,D,E,F,I,J, K,L) ¹⁾ / DB17 / F1 (A,G) ¹⁾
Customized profile finishing ($L_{max i} = 5400 \text{ mm}$)	DI / DIS / MT / MTS / MI / MIS / DG ²⁾

¹⁾ For the specified slots

²⁾ $DG_{max} = 45^\circ$; $L_{min1} / L_{min2} = 460 / 620 \text{ mm}$

45x45L

A = 6,0 cm²
 I_x = 11,7 cm⁴
 I_y = 11,7 cm⁴
 W_x = 5,2 cm³
 W_y = 5,2 cm³
 m = 1,6 kg/m



19421

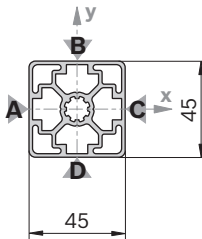
Cover cap	Color	ESD	No.
45x45 (1x)	Signal gray	100	3 842 548 752
45x45 (1x)	Black	20	3 842 548 753
Material:	PP		

Cover cap with hole	Color	ESD	No.
45x45 (1x)	Signal gray	20	3 842 548 796
45x45 (1x)	Black	20	3 842 548 797
Material:	PP		

Cover cap ZN	ESD No.	FS
45x45-ZN	3 842 518 205	FS2
Material:	Cover cap: Diecast zinc Fastening material: Steel; galvanized	

45x45L ON

A = 6,7 cm²
 I_x = 13,5 cm⁴
 I_y = 13,5 cm⁴
 W_x = 6,0 cm³
 W_y = 6,0 cm³
 m = 1,8 kg/m



19422

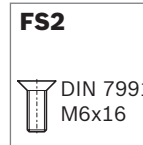
45x45L	L (mm)	No.
1 pc	50 ... 6070	3 842 992 425 / L
1 pc M12	60 ... 6000	3 842 992 426 / L
1 pc M12 M12	110 ... 6000	3 842 992 427 / L
1 pc M12 D17	90 ... 6000	3 842 992 960 / L
1 pc D9,8 D9,8	80 ... 6000	3 842 992 967 / L
1 pc D17	60 ... 6000	3 842 992 953 / L
1 pc D17 D17	80 ... 6000	3 842 992 954 / L
1 pc D17 D17V	80 ... 6000	3 842 992 956 / L
20 pcs	6070	3 842 553 611

Quick & Easy (p. 2-7, see fold-out section)

45x45L	3 842 993 737 / ...
Length L (mm)	50 ... 6070
Standard profile finishing L _{max} = 6000 mm (note minimum length, p. 2-24)	M12 / D9.8 / D17 / DB17 / F1 (A) ¹⁾
Customized profile finishing (L _{max i} = 5400 mm)	DI / DIS / MT / MTS / MI / MIS / DG ²⁾

¹⁾ For the specified slots

²⁾ DG_{max} = 45°; L_{min1} / L_{min2} = 378 / 456 mm



45x45L ON	L (mm)	No.
20 pcs	6070	3 842 540 955

Quick & Easy (p. 2-7, see fold-out section)

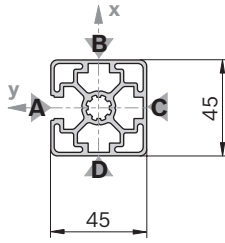
45x45L ON	3 842 993 761 / ...
Length L (mm)	50 ... 6070
Standard profile finishing L _{max} = 6000 mm (note minimum length, p. 2-24)	M12 / D9.8 / D17 / DB17
Customized profile finishing (L _{max i} = 5400 mm)	DI / DIS / MT / MTS / MI / MIS / DG ¹⁾

¹⁾ DG_{max} = 45°; L_{min1} / L_{min2} = 378 / 456 mm

Cover cap: see 45x45

45x45L 1N

A = 6,5 cm²
 $I_x = 12,6 \text{ cm}^4$
 $I_y = 13,5 \text{ cm}^4$
 $W_x = 5,5 \text{ cm}^3$
 $W_y = 6,0 \text{ cm}^3$
 m = 1,8 kg/m



19423

Cover cap: see 45x45

45x45L 1N		L (mm)	No.
1 pc		50 ... 6070	3 842 992 401 / L
	20 pcs	6070	3 842 557 222

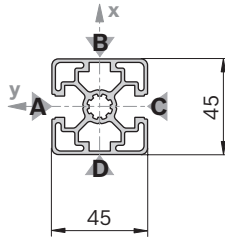
Quick & Easy (p. 2-7, see fold-out section)

45x45L 1N		3 842 993 738 / ...	
Length L (mm)		50 ... 6070	
Standard profile finishing $L_{\max} = 6000 \text{ mm}$ (note minimum length, p. 2-24)		M12 / D9.8 / D17 / DB17	
Customized profile finishing ($L_{\max i} = 5400 \text{ mm}$)		DI / DIS / MT / MTS / MI / MIS / DG ¹⁾	

¹⁾ $DG_{\max} = 45^\circ$; $L_{\min 1} / L_{\min 2} = 378 / 456 \text{ mm}$

45x45L 2N

A = 6,4 cm²
 $I_x = 11,6 \text{ cm}^4$
 $I_y = 13,5 \text{ cm}^4$
 $W_x = 5,2 \text{ cm}^3$
 $W_y = 6,0 \text{ cm}^3$
 m = 1,7 kg/m



19424

Cover cap: see 45x45

45x45L 2N		L (mm)	No.
1 pc		50 ... 6070	3 842 992 403 / L
	20 pcs	6070	3 842 557 224

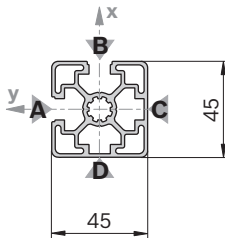
Quick & Easy (p. 2-7, see fold-out section)

45x45L 2N		3 842 993 739 / ...	
Length L (mm)		50 ... 6070	
Standard profile finishing $L_{\max} = 6000 \text{ mm}$ (note minimum length, p. 2-24)		M12 / D9.8 / D17 / DB17	
Customized profile finishing ($L_{\max i} = 5400 \text{ mm}$)		DI / DIS / MT / MTS / MI / MIS / DG ¹⁾	

¹⁾ $DG_{\max} = 45^\circ$; $L_{\min 1} / L_{\min 2} = 378 / 456 \text{ mm}$

45x45L 2NVS

A = 6,4 cm²
 $I_x = 12,6 \text{ cm}^4$
 $I_y = 12,6 \text{ cm}^4$
 $W_x = 5,6 \text{ cm}^3$
 $W_y = 5,6 \text{ cm}^3$
 m = 1,7 kg/m



19425

Cover cap: see 45x45

45x45L 2NVS		L (mm)	No.
1 pc		50 ... 6070	3 842 992 402 / L
	20 pcs	6070	3 842 557 223

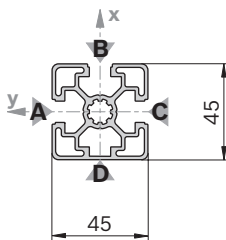
Quick & Easy (p. 2-7, see fold-out section)

45x45L 2NVS		3 842 993 740 / ...	
Length L (mm)		50 ... 6070	
Standard profile finishing $L_{\max} = 6000 \text{ mm}$ (note minimum length, p. 2-24)		M12 / D9.8 / D17 / DB17	
Customized profile finishing ($L_{\max i} = 5400 \text{ mm}$)		DI / DIS / MT / MTS / MI / MIS / DG ¹⁾	

¹⁾ $DG_{\max} = 45^\circ$; $L_{\min 1} / L_{\min 2} = 378 / 456 \text{ mm}$

45x45L 3N

A = 6,2 cm²
 I_x = 12,6 cm⁴
 I_y = 11,7 cm⁴
 W_x = 5,4 cm³
 W_y = 5,2 cm³
 m = 1,7 kg/m



19426

Cover cap: see 45x45

45x45L 3N		L (mm)	No.
1 pc		50 ... 6070	3 842 992 404 / L
20 pcs		6070	3 842 557 225

Quick & Easy (p. 2-7, see fold-out section)

45x45L 3N	3 842 993 741 / ...
-----------	---------------------

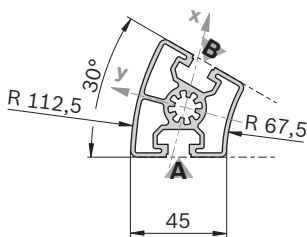
Length L (mm)	50 ... 6070
Standard profile finishing L _{max} = 6000 mm (note minimum length, p. 2-24)	M12 / D9.8 / D17 / DB17

Customized profile finishing (L _{max i} = 5400 mm)	DI / DIS / MT / MTS / MI / MIS / DG ¹⁾
---	---

¹⁾ DG_{max} = 45°; L_{min1} / L_{min2} = 378 / 456 mm

45x30°

A = 6,9 cm²
 I_x = 12,7 cm⁴
 I_y = 15,2 cm⁴
 W_x = 5,0 cm³
 W_y = 5,3 cm³
 m = 1,9 kg/m



19427

45x30°		L (mm)	No.
1 pc		50 ... 6070	3 842 993 013 / L
20 pcs		6070	3 842 557 954

Quick & Easy (p. 2-7, see fold-out section)

45x30°	3 842 993 733 / ...
--------	---------------------

Length L (mm)	50 ... 6070
Standard profile finishing L _{max} = 6000 mm (note minimum length, p. 2-24)	M12

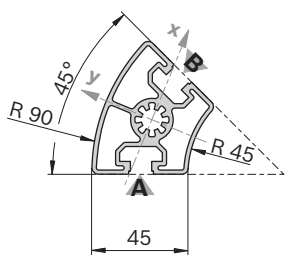
Customized profile finishing	—
------------------------------	---

Cover cap	Color	ESD	No.
45x30° (1x)	Signal gray	20	3 842 551 020
45x30° (1x)	Black	20	3 842 551 021

Material: PP

45x45°

A = 7,6 cm²
 I_x = 13,4 cm⁴
 I_y = 21,4 cm⁴
 W_x = 5,2 cm³
 W_y = 6,4 cm³
 m = 2,0 kg/m



19428

45x45°		L (mm)	No.
1 pc		50 ... 6070	3 842 993 014 / L
20 pcs		6070	3 842 557 955

Quick & Easy (p. 2-7, see fold-out section)

45x45°	3 842 993 735 / ...
--------	---------------------

Length L (mm)	50 ... 6070
Standard profile finishing L _{max} = 6000 mm (note minimum length, p. 2-24)	M12

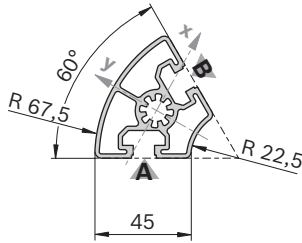
Customized profile finishing	—
------------------------------	---

Cover cap	Color	ESD	No.
45x45° (1x)	Signal gray	20	3 842 551 022
45x45° (1x)	Black	20	3 842 551 023

Material: PP

45x60°

A = 6,8 cm²
 $I_x = 11,4 \text{ cm}^4$
 $I_y = 16,9 \text{ cm}^4$
 $W_x = 4,4 \text{ cm}^3$
 $W_y = 5,2 \text{ cm}^3$
 m = 1,8 kg/m



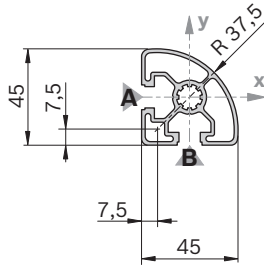
19429

Cover cap	Color	ESD	No.
45x60° (1x)	Signal gray	20	3 842 551 024
45x60° (1x)	Black	20	3 842 551 025

Material: PP

45x45L R

A = 4,9 cm²
 $I_x = 8,6 \text{ cm}^4$
 $I_y = 8,6 \text{ cm}^4$
 $W_x = 5,0 \text{ cm}^3$
 $W_y = 5,0 \text{ cm}^3$
 m = 1,3 kg/m



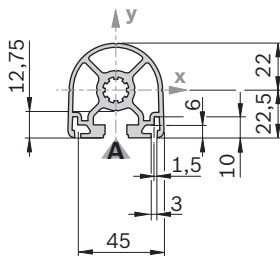
19430

Cover cap	Color	ESD	No.
45x45 R (1x)	Signal gray	20	3 842 548 800
45x45 R (1x)	Black	20	3 842 548 801

Material: PP

45x45 HR

A = 6,6 cm²
 $I_x = 11,0 \text{ cm}^4$
 $I_y = 10,7 \text{ cm}^4$
 $W_x = 4,4 \text{ cm}^3$
 $W_y = 4,8 \text{ cm}^3$
 m = 1,8 kg/m



19431

Cover cap	Color	ESD	No.
45x45 HR (1x)	Signal gray	20	3 842 548 798
45x45 HR (1x)	Black	20	3 842 548 799

Material: PP

45x60°	L (mm)	No.
1 pc	50 ... 6070	3 842 993 015 / L
20 pcs	6070	3 842 557 956

Quick & Easy (p. 2-7, see fold-out section)

45x60°	3 842 993 744 / ...
Length L (mm)	50 ... 6070
Standard profile finishing $L_{max} = 6000 \text{ mm}$	M12
(note minimum length, p. 2-24)	
Customized profile finishing	—

45x45L R	L (mm)	No.
1 pc	50 ... 6070	3 842 992 897 / L
20 pcs	6070	3 842 557 948

Quick & Easy (p. 2-7, see fold-out section)

45x45L R	3 842 993 742 / ...
Length L (mm)	50 ... 6070
Standard profile finishing $L_{max} = 6000 \text{ mm}$	M12 / DB17
(note minimum length, p. 2-24)	
Customized profile finishing	—

45x45 HR	L (mm)	No.
1 pc	50 ... 6070	3 842 992 945 / L
1 pc M12	60 ... 6000	3 842 993 001 / L
1 pc M12	110 ... 6000	3 842 992 999 / L
20 pcs	6070	3 842 557 957

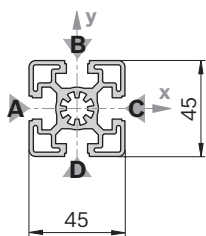
Quick & Easy (p. 2-7, see fold-out section)

45x45 HR	3 842 993 736 / ...
Length L (mm)	50 ... 6070
Standard profile finishing $L_{max} = 6000 \text{ mm}$	M12 / DB17
(note minimum length, p. 2-24)	
Customized profile finishing	DI / DIS / MT / MTS / MI / MIS / DG ¹⁾
($L_{max i} = 5400 \text{ mm}$)	

¹⁾ DG_{max} = 45°; L_{min1} / L_{min2} = 378 / 456 mm

45x45

$A = 7,5 \text{ cm}^2$
 $I_x = 13,8 \text{ cm}^4$
 $I_y = 13,8 \text{ cm}^4$
 $W_x = 6,1 \text{ cm}^3$
 $W_y = 6,1 \text{ cm}^3$
 $m = 2,0 \text{ kg/m}$



19432

Cover cap	Color	ESD	No.
45x45 (1x)	Signal gray	100	3 842 548 752
45x45 (1x)	Black	20	3 842 548 753
Material:	PP		

Cover cap with hole	Color	ESD	No.
45x45 (1x)	Signal gray	20	3 842 548 796
45x45 (1x)	Black	20	3 842 548 797
Material:	PP		

45x45	L (mm)	No.
1 pc	50 ... 6070	3 842 990 520 / L
1 pc M12	60 ... 6000	3 842 990 517 / L
1 pc M12-M12	110 ... 6000	3 842 990 518 / L
1 pc M12-M16	180 ... 6000	3 842 990 519 / L
1 pc M12-D17	90 ... 6000	3 842 990 640 / L
1 pc M16	120 ... 6000	3 842 990 521 / L
1 pc M16-D17	170 ... 6000	3 842 990 642 / L
1 pc D9,8-D9,8	70 ... 6000	3 842 992 969 / L
1 pc D17	60 ... 6000	3 842 990 648 / L
1 pc D17-D17	80 ... 6000	3 842 990 644 / L
1 pc D17-D17V	80 ... 6000	3 842 990 646 / L
20 pcs	6070	3 842 553 614

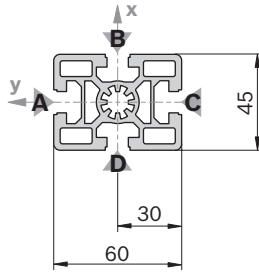
Quick & Easy (p. 2-7, see fold-out section)

45x45	3 842 993 734 / ...
Length L (mm)	50 ... 6070
Standard profile finishing $L_{max} = 6000 \text{ mm}$ (note minimum length, p. 2-24)	M12 / M16 / D9.8 / D17 / DB17
Customized profile finishing ($L_{max i} = 5400 \text{ mm}$)	DI / DIS / MT / MTS / MI / MIS / DG ¹⁾

¹⁾ $DG_{max} = 45^\circ$; $L_{min1} / L_{min2} = 378 / 456 \text{ mm}$

45x60

A = 11,0 cm²
 $I_x = 37,2 \text{ cm}^4$
 $I_y = 22,7 \text{ cm}^4$
 $W_x = 12,4 \text{ cm}^3$
 $W_y = 10,1 \text{ cm}^3$
 m = 3,0 kg/m



19433

Cover cap	Color	ESD	No.
45x60 (1x)	Signal gray	20	3 842 548 754
45x60 (1x)	Black	20	3 842 548 755
Material:	PP		

Cover cap with hole	Color	ESD	No.
45x60 (1x)	Signal gray	20	3 842 548 802
45x60 (1x)	Black	20	3 842 548 803
Material:	PP		

45x60	L (mm)	No.
1 pc	50 ... 6070	3 842 990 570 / L
1 pc M12	60 ... 6000	3 842 990 571 / L
1 pc M12-M12	110 ... 6000	3 842 990 572 / L
1 pc M12-M16	180 ... 6000	3 842 990 575 / L
1 pc M16	120 ... 6000	3 842 990 573 / L
1 pc D9,8	50 ... 6000	3 842 992 376 / L
1 pc D17	60 ... 6000	3 842 990 688 / L
1 pc D17-D17	80 ... 6000	3 842 990 672 / L
1 pc D17-D17V	80 ... 6000	3 842 990 674 / L
1 pc D9,8V	50 ... 6000	3 842 992 375 / L
1 pc D17V	60 ... 6000	3 842 990 690 / L
1 pc D17V-D17V	80 ... 6000	3 842 990 670 / L
1 pc LF-LF	80 ... 6000	3 842 993 085 / L
1 pc F1-F1	80 ... 6000	3 842 990 584 / L
20 pcs	6070	3 842 557 200

Profile finishing D9.8, D17: in slots B/D
 D9.8V, D17V: in slots A/C
 LF: in slots A/C
 F1: in slot A

Quick & Easy (p. 2-7, see fold-out section)

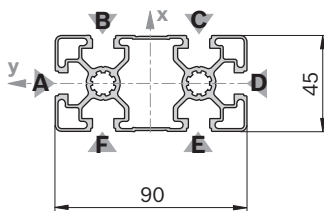
45x60	3 842 993 743 / ...
Length L (mm)	50 ... 6070
Standard profile finishing $L_{max} = 6000 \text{ mm}$ (note minimum length, p. 2-24)	M12 / M16 / D9.8 / D17 / DB17 / F1 (A,C) ¹⁾
Customized profile finishing ($L_{max i} = 5400 \text{ mm}$)	DI / DIS / MT / MTS / MI / MIS / DG ²⁾

¹⁾ For the specified slots

²⁾ $DG_{max} = 45^\circ$; $L_{min1} / L_{min2} = 404 / 508 \text{ mm}$

45x90SL

A = 9,0 cm²
 $I_x = 73,4 \text{ cm}^4$
 $I_y = 18,1 \text{ cm}^4$
 $W_x = 16,3 \text{ cm}^3$
 $W_y = 8,0 \text{ cm}^3$
 m = 2,4 kg/m



19434

Cover cap	Color	ESD	No.
45x90 (1x)	Signal gray	20	3 842 548 756
45x90 (1x)	Black	20	3 842 548 757
Material:	PP		

Cover cap with hole	Color	ESD	No.
45x90 (1x)	Signal gray	20	3 842 548 804
45x90 (1x)	Black	20	3 842 548 805
Material:	PP		

45x90SL	L (mm)	No.
1 pc	50 ... 6070	3 842 993 450 / L
12 pcs	6070	3 842 537 102

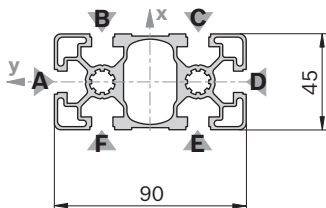
Quick & Easy (p. 2-7, see fold-out section)

45x90SL	3 842 993 759 / ...
Length L (mm)	50 ... 6070
Standard profile finishing $L_{max} = 6000 \text{ mm}$ (note minimum length, p. 2-24)	M12 / D9.8 / D17 / DB17
Customized profile finishing ($L_{max i} = 5400 \text{ mm}$)	DI / DIS / DG ¹⁾

¹⁾ $DG_{max} = 45^\circ$; $L_{min1} / L_{min2} = 456 / 612 \text{ mm}$

45x90L

A = 11,3 cm²
 I_x = 82,0 cm⁴
 I_y = 23,6 cm⁴
 W_x = 18,2 cm³
 W_y = 10,5 cm³
 m = 3,0 kg/m



19435

Cover cap	Color	ESD	No.
45x90 (1x)	Signal gray	20	3 842 548 756
45x90 (1x)	Black	20	3 842 548 757

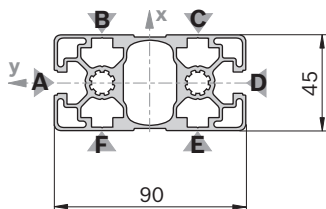
Material: PP

Cover cap with hole	Color	ESD	No.
45x90 (1x)	Signal gray	20	3 842 548 804
45x90 (1x)	Black	20	3 842 548 805

Material: PP

45x90L 2N

A = 12,0 cm²
 I_x = 26,9 cm⁴
 I_y = 85,6 cm⁴
 W_x = 6,0 cm³
 W_y = 38,1 cm³
 m = 3,2 kg/m



36364

Cover cap: see 45x90

45x90L	L (mm)	No.
1 pc	50 ... 6070	3 842 992 432 / L
1 pc M12	60 ... 6000	3 842 992 453 / L
1 pc M12 M12	110 ... 6000	3 842 992 433 / L
1 pc D17 D17	80 ... 6000	3 842 992 437 / L
1 pc D17 D17V	80 ... 6000	3 842 992 436 / L
1 pc D17V	60 ... 6000	3 842 992 452 / L
1 pc D17V D17V	80 ... 6000	3 842 992 435 / L
1 pc LF LF	80 ... 6000	3 842 993 084 / L
12 pcs	6070	3 842 553 612

Profile finishing: M12: in all core holes
 D17: in slots B/F, C/E
 D17V: in slots A/D
 LF: in slots A/D

Quick & Easy (p. 2-7, see fold-out section)

45x90L	3 842 993 662 / ...
Length L (mm)	50 ... 6070
Standard profile finishing L _{max} = 6000 mm (note minimum length, p. 2-24)	M12 / D9.8 / D17 / DB17 / F1 (A,D) ¹⁾
Customized profile finishing (L _{max i} = 5400 mm)	DI / DIS / MT / MTS / MI / MIS / DG ²⁾

¹⁾ For the specified slots
²⁾ DG_{max} = 45°; L_{min1} / L_{min2} = 456 / 612 mm

45x90L 2N	L (mm)	No.
1 pc	50 ... 6070	3 842 993 644 / L
12 pcs	6070	3 842 538 299

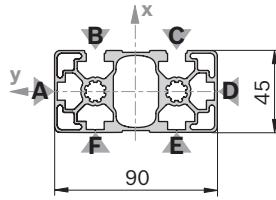
Quick & Easy (p. 2-7, see fold-out section)

45x90L 2N	3 842 993 751 / ...
Length L (mm)	50 ... 6070
Standard profile finishing L _{max} = 6000 mm (note minimum length, p. 2-24)	M12 / D9.8 / D17 / DB17 / F1 (A,D) ¹⁾
Customized profile finishing (L _{max i} = 5400 mm)	DI / DIS / MT / MTS / MI / MIS / DG ²⁾

¹⁾ For the specified slots
²⁾ DG_{max} = 45°; L_{min1} / L_{min2} = 456 / 612 mm

45x90L 2NVS

A = 12,0 cm²
 $I_x = 25,9 \text{ cm}^4$
 $I_y = 90,6 \text{ cm}^4$
 $W_x = 5,7 \text{ cm}^3$
 $W_y = 40,3 \text{ cm}^3$
 m = 3,3 kg/m



33096

Cover cap: see 45x90

45x90L 2NVS		L (mm)	No.
	12 pcs		6070 3 842 555 652

Quick & Easy (p. 2-7, see fold-out section)

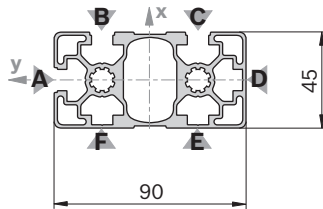
45x90L 2NVS	3 842 993 770 / ...
--------------------	----------------------------

Length L (mm)	50 ... 6070
Standard profile finishing $L_{max} = 6000 \text{ mm}$ (note minimum length, p. 2-24)	M12 / D9.8 / D17 / DB17
Customized profile finishing ($L_{max i} = 5400 \text{ mm}$)	DI / DIS / MT / MTS / MI / MIS / DG ¹⁾

¹⁾ $DG_{max} = 45^\circ$; $L_{min1} / L_{min2} = 456 / 612 \text{ mm}$



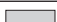
45x90L 3NVS

A = 11,8 cm²
 $I_x = 87,2 \text{ cm}^4$
 $I_y = 25,2 \text{ cm}^4$
 $W_x = 38,8 \text{ cm}^3$
 $W_y = 5,6 \text{ cm}^3$
 m = 3,2 kg/m



19437

Cover cap: see 45x90

45x90L 3NVS		L (mm)	No.
	1 pc		50 ... 6070 3 842 993 635 / L
	12 pcs		6070 3 842 538 298

Quick & Easy (p. 2-7, see fold-out section)

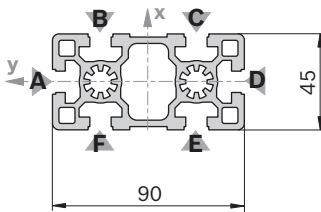
45x90L 3NVS	3 842 993 752 / ...
--------------------	----------------------------

Length L (mm)	50 ... 6070
Standard profile finishing $L_{max} = 6000 \text{ mm}$ (note minimum length, p. 2-24)	M12 / D9.8 / D17 / DB17
Customized profile finishing ($L_{max i} = 5400 \text{ mm}$)	DI / DIS / MT / MTS / MI / MIS / DG ¹⁾

¹⁾ $DG_{max} = 45^\circ$; $L_{min1} / L_{min2} = 456 / 612 \text{ mm}$

45x90

$A = 15,4 \text{ cm}^2$
 $I_x = 124,6 \text{ cm}^4$
 $I_y = 32,8 \text{ cm}^4$
 $W_x = 27,7 \text{ cm}^3$
 $W_y = 14,6 \text{ cm}^3$
 $m = 4,2 \text{ kg/m}$



19438

Cover cap	Color	ESD	No.
45x90 (1x)	Signal gray	20	3 842 548 756
45x90 (1x)	Black	20	3 842 548 757

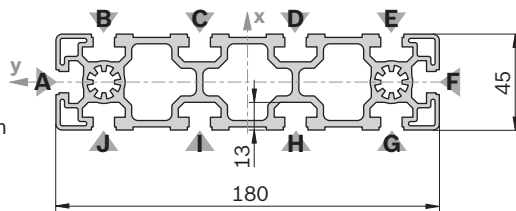
Material: PP

Cover cap with hole	Color	ESD	No.
45x90 (1x)	Signal gray	20	3 842 548 804
45x90 (1x)	Black	20	3 842 548 805

Material: PP

45x180

$A = 25,5 \text{ cm}^2$
 $I_x = 766,7 \text{ cm}^4$
 $I_y = 57,3 \text{ cm}^4$
 $W_x = 85,2 \text{ cm}^3$
 $W_y = 25,5 \text{ cm}^3$
 $m = 6,9 \text{ kg/m}$



19439

Cover cap	Color	ESD	No.
45x180 (1x)	Signal gray	20	3 842 548 794
45x180 (1x)	Black	20	3 842 548 795

Material: PP

45x90	L (mm)	No.
1 pc	50 ... 6070	3 842 990 300 / L
1 pc M12	60 ... 6000	3 842 990 301 / L
1 pc M12 M12	110 ... 6000	3 842 990 302 / L
1 pc M12 D17	90 ... 6000	3 842 990 323 / L
1 pc M12 D17V	90 ... 6000	3 842 990 305 / L
1 pc M16	120 ... 6000	3 842 990 303 / L
1 pc M16 M16	240 ... 6000	3 842 990 304 / L
1 pc M16 D17	170 ... 6000	3 842 990 325 / L
1 pc M16 D17V	170 ... 6000	3 842 990 307 / L
1 pc D17	60 ... 6000	3 842 990 329 / L
1 pc D17 D17	80 ... 6000	3 842 990 313 / L
1 pc D17 D17V	80 ... 6000	3 842 990 311 / L
1 pc D17V	60 ... 6000	3 842 990 331 / L
1 pc D17V D17V	80 ... 6000	3 842 990 309 / L
12 pcs	6070	3 842 553 615

Profile finishing: M12, M16: in all core holes
 D17: in slots B/F, C/E
 D17V: in slots A/D

Quick & Easy (p. 2-7, see fold-out section)

45x90	3 842 993 661 / ...
Length L (mm)	50 ... 6070
Standard profile finishing $L_{max} = 6000 \text{ mm}$ (note minimum length, p. 2-24)	M12 / M16 / D9.8 / D17 / DB17 / F1 (A,D) ¹⁾
Customized profile finishing ($L_{max i} = 5400 \text{ mm}$)	DI / DIS / MT / MTS / MI / MIS / DG ²⁾

¹⁾ For the specified slots

²⁾ $DG_{max} = 45^\circ$; $L_{min1} / L_{min2} = 456 / 612 \text{ mm}$

45x180	L (mm)	No.
1 pc	50 ... 6070	3 842 990 335 / L
1 pc M12	60 ... 6000	3 842 990 336 / L
1 pc M12 M12	110 ... 6000	3 842 990 339 / L
1 pc D17	80 ... 6000	3 842 990 342 / L
1 pc D17V	80 ... 6000	3 842 990 344 / L
6 pcs	6070	3 842 553 616

Profile finishing: M12: in all core holes
 D17: in slots B/J, E/G
 D17V: in slots A/F

Quick & Easy (p. 2-7, see fold-out section)

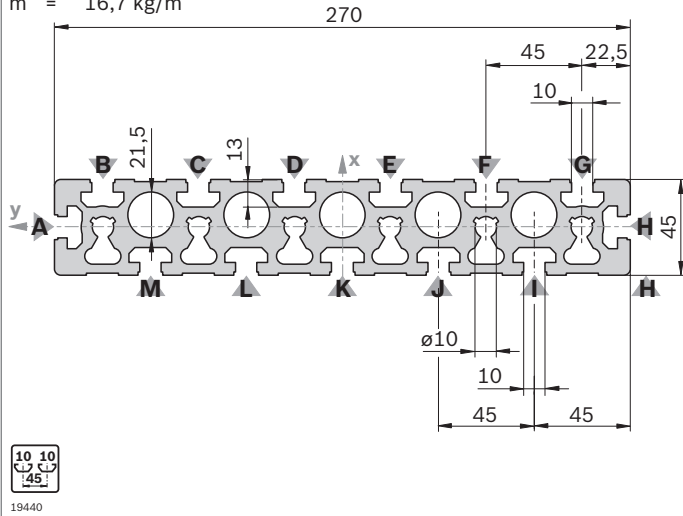
45x180	3 842 993 731 / ...
Length L (mm)	80 ... 6070
Standard profile finishing $L_{max} = 6000 \text{ mm}$ (note minimum length, p. 2-24)	M12 / M16 / D9.8 (B,C,D,E,G,H,I,J) ¹⁾ / D17 (B,C,D,E,G,H,I,J) ¹⁾ / DB17 / F1 (A,F) ¹⁾
Customized profile finishing ($L_{max i} = 5400 \text{ mm}$)	DI / DIS / MT / MTS / MI / MIS / DG ²⁾

¹⁾ For the specified slots

²⁾ $DG_{max} = 30^\circ$; $L_{min1} / L_{min2} = 404 / 508 \text{ mm}$

45x270

A = 61,9 cm²
 $I_x = 3962,0 \text{ cm}^4$
 $I_y = 118,0 \text{ cm}^4$
 $W_x = 300,2 \text{ cm}^3$
 $W_y = 61,6 \text{ cm}^3$
 $m = 16,7 \text{ kg/m}$

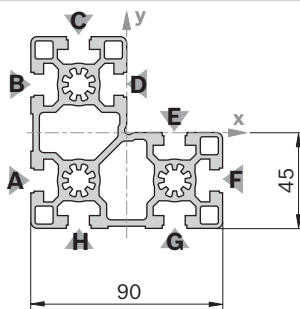


Cover cap	Color	ESD	No.
45x90 (3x)	Signal gray	20	3 842 548 756
45x90 (3x)	Black	20	3 842 548 757

Material: PP

45x90x90L

A = 21,2 cm²
 $I_x = 152,1 \text{ cm}^4$
 $I_y = 152,1 \text{ cm}^4$
 $W_x = 19,1 \text{ cm}^3$
 $W_y = 19,1 \text{ cm}^3$
 $m = 5,7 \text{ kg/m}$



Cover cap	Color	ESD	No.
45x90x90 (1x)	Signal gray	20	3 842 548 806
45x90x90 (1x)	Black	20	3 842 548 807

Material: PP

Cover cap with hole ¹⁾	Color	ESD	No.
45x90x90 (1x)	Signal gray	20	3 842 548 806
45x90x90 (1x)	Black	20	3 842 548 807

Material: PP

¹⁾ The cover cap is also suitable for use with a hole, which can be broken out

45x270	L (mm)	No.
1 pc	50 ... 6000	3 842 992 927 / L
1 pc M12	110 ... 6000	3 842 992 928 / L
2 pcs	6070	3 842 557 949

Profile finishing: M12: in core holes with C, F slots

Quick & Easy (p. 2-7, see fold-out section)

45x270	3 842 993 732 / ...
Length L (mm)	80 ... 6000
Standard profile finishing $L_{max} = 6000 \text{ mm}$ (note minimum length, p. 2-24)	M12 / D9.8 (B,C,D,E,F,G, I,J,K,L,M) ¹⁾ / D17 (B,C, D,E,F,G,I,J,K,L,M) ¹⁾ / DB17 / F1 (A,H) ¹⁾
Customized profile finishing ($L_{max i} = 5400 \text{ mm}$)	DI / DIS / MT / MTS / MI / MIS

¹⁾ For the specified slots

45x90x90L	L (mm)	No.
1 pc	50 ... 6070	3 842 992 387 / L
1 pc M12	60 ... 6000	3 842 992 388 / L
8 pc	6070	3 842 537 823

Profile finishing: M12: in the central bore at the intersection of slots A and H

Quick & Easy (p. 2-7, see fold-out section)

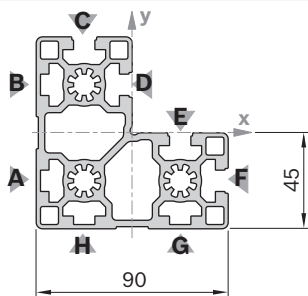
45x90x90L	3 842 993 682 / ...
Length L (mm)	50 ... 6070
Standard profile finishing $L_{max} = 6000 \text{ mm}$ (note minimum length, p. 2-24)	M12 / D9.8 / D17 / DB17 (A,B,C,F,G,H) ¹⁾
Customized profile finishing ($L_{max i} = 5400 \text{ mm}$)	DI / DIS / MT / MTS / MI / MIS / DG ²⁾

¹⁾ For the specified slots

²⁾ $DG_{max} = 45^\circ$; $L_{min1} / L_{min2} = 456 / 612 \text{ mm}$

45x90x90L 4N

A = 22,1 cm²
 I_x = 160,8 cm⁴
 I_y = 160,8 cm⁴
 W_x = 30,6 cm³
 W_y = 30,6 cm³
 m = 6,0 kg/m



29432

Cover cap: see 45x90x90L

45x90x90L 4N		L (mm)	No.
	8 pc		6070 3 842 547 827

Quick & Easy (p. 2-7, see fold-out section)

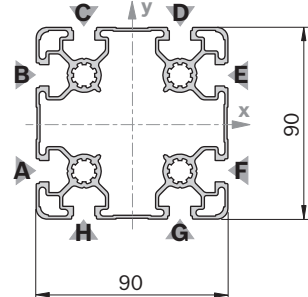
45x90x90L 4N		3 842 993 764
Length L (mm)	50 ... 6070	
Standard profile finishing L _{max} = 6000 mm (note minimum length, p. 2-24)	M12 / D9.8 / D17 / DB17 (A,B,C,F,G,H) ¹⁾	
Customized profile finishing (L _{max i} = 5400 mm)	DI / DIS / MT / MTS / MI / MIS / DG ²⁾	

¹⁾ For the specified slots

²⁾ DG_{max} = 45°; L_{min1} / L_{min2} = 456 / 612 mm

90x90SL

A = 14,1 cm²
 I_x = 130,2 cm⁴
 I_y = 130,2 cm⁴
 W_x = 28,9 cm³
 W_y = 28,9 cm³
 m = 3,8 kg/m



19442

Cover cap: see 90x90L

90x90SL		L (mm)	No.
	1 pc		3 842 993 449 / L
	6 pcs		3 842 537 100

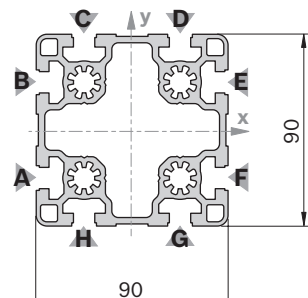
Quick & Easy (p. 2-7, see fold-out section)

90x90SL		3 842 993 681 / ...
Length L (mm)	50 ... 6070	
Standard profile finishing L _{max} = 6000 mm (note minimum length, p. 2-24)	M12 / D9.8 / D17 / DB17	
Customized profile finishing (L _{max i} = 5400 mm)	DI / DIS / DG ¹⁾	

¹⁾ DG_{max} = 45°; L_{min1} / L_{min2} = 456 / 612 mm

90x90L

A = 24,1 cm²
 I_x = 211,1 cm⁴
 I_y = 211,1 cm⁴
 W_x = 46,9 cm³
 W_y = 46,9 cm³
 m = 6,5 kg/m



19443

Cover cap	Color	ESD		No.
90x90L (1x)	Signal gray	20		3 842 548 758
90x90L (1x)	Black			3 842 548 759
Material:	PP			

90x90L		L (mm)	No.
	1 pc		3 842 992 415 / L
	1 pc M12		3 842 992 416 / L
	1 pc M12		3 842 992 422 / L
	1 pc M12		3 842 992 423 / L
	1 pc D17		3 842 992 417 / L
	1 pc D17		3 842 992 420 / L
	1 pc D17		3 842 992 421 / L
	1 pc LF		3 842 992 418 / L
	1 pc LF		3 842 992 419 / L
	6 pcs		3 842 553 613

Profile finishing: M12: in all core holes
 D17: in slots C/H, D/G
 D17V: in slots A/F, B/E
 LF: in slots C/H, D/G

Quick & Easy (p. 2-7, see fold-out section)

90x90L		3 842 993 680 / ...
Length L (mm)	50 ... 6070	
Standard profile finishing L _{max} = 6000 mm (note minimum length, p. 2-24)	M12 / D9.8 / D17 / DB17	
Customized profile finishing (L _{max i} = 5400 mm)	DI / DIS / MT / MTS / MI / MIS / DG ¹⁾	

¹⁾ DG_{max} = 45°; L_{min1} / L_{min2} = 456 / 612 mm

90x90L 4N

$A = 24,2 \text{ cm}^2$
 $I_x = 227,4 \text{ cm}^4$
 $I_y = 214,7 \text{ cm}^4$
 $W_x = 50,5 \text{ cm}^3$
 $W_y = 47,7 \text{ cm}^3$
 $m = 6,5 \text{ kg/m}$

19444

Cover cap: see 90x90L

90x90L 4NVS

$A = 24,2 \text{ cm}^2$
 $I_x = 220,9 \text{ cm}^4$
 $I_y = 220,9 \text{ cm}^4$
 $W_x = 49,2 \text{ cm}^3$
 $W_y = 49,2 \text{ cm}^3$
 $m = 6,5 \text{ kg/m}$

19445

Cover cap: see 90x90L

90x90

$A = 38,4 \text{ cm}^2$
 $I_x = 299,8 \text{ cm}^4$
 $I_y = 299,8 \text{ cm}^4$
 $W_x = 66,7 \text{ cm}^3$
 $W_y = 66,7 \text{ cm}^3$
 $m = 10,4 \text{ kg/m}$

19446

Cover cap	Color	ESD	No.
90x90 (1x)	Signal gray	20	3 842 548 760
90x90 (1x)	Black	20	3 842 548 761
Material:	PP		

Cover cap with hole	Color	ESD	No.
90x90 (1x)	Signal gray	20	3 842 548 814
90x90 (1x)	Black	20	3 842 548 815
Material:	PP		

Notice: A quick connector cannot be used

90x90L 4N	L (mm)	No.
1 pc	50 ... 6070	3 842 993 628 / L
6 pcs	6070	3 842 538 297

Quick & Easy (p. 2-7, see fold-out section)

90x90L 4N	3 842 993 755 / ...
Length L (mm)	50 ... 6070
Standard profile finishing $L_{max} = 6000 \text{ mm}$ (note minimum length, p. 2-24)	M12 / D9.8 / D17 / DB17
Customized profile finishing ($L_{max i} = 5400 \text{ mm}$)	DI / DIS / MT / MTS / MI / MIS / DG ¹⁾

¹⁾ $DG_{max} = 45^\circ$; $L_{min1} / L_{min2} = 456 / 612 \text{ mm}$

90x90L 4NVS	L (mm)	No.
1 pc	50 ... 6070	3 842 993 621 / L
6 pcs	6070	3 842 538 296

Quick & Easy (p. 2-7, see fold-out section)

90x90L 4NVS	3 842 993 756 / ...
Length L (mm)	50 ... 6070
Standard profile finishing $L_{max} = 6000 \text{ mm}$ (note minimum length, p. 2-24)	M12 / D9.8 / D17 / DB17
Customized profile finishing ($L_{max i} = 5400 \text{ mm}$)	DI / DIS / MT / MTS / MI / MIS / DG ¹⁾

¹⁾ $DG_{max} = 45^\circ$; $L_{min1} / L_{min2} = 456 / 612 \text{ mm}$

90x90	L (mm)	No.
1 pc	50 ... 6070	3 842 990 500 / L
1 pc M16	120 ... 6000	3 842 990 501 / L
1 pc M16 M16	240 ... 6000	3 842 990 502 / L
1 pc M16 D17	170 ... 6000	3 842 992 961 / L
1 pc D17	60 ... 6000	3 842 990 092 / L
1 pc D17 D17	80 ... 6000	3 842 990 093 / L
1 pc D17 D17V	80 ... 6000	3 842 990 094 / L
1 pc LF LF	80 ... 6000	3 842 993 082 / L
1 pc F2 F2	60 ... 6000	3 842 990 505 / L
1 pc F2 F2	110 ... 6000	3 842 990 507 / L
6 pcs	6070	3 842 557 201

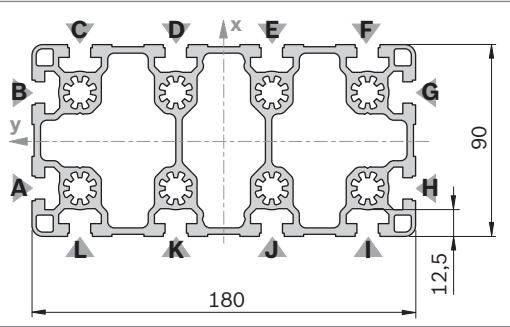
Quick & Easy (p. 2-7, see fold-out section)

90x90	3 842 993 679 / ...
Length L (mm)	50 ... 6070
Standard profile finishing $L_{max} = 6000 \text{ mm}$ (note minimum length, p. 2-24)	M16 / D9.8 / D17 / DB17 / F1
Customized profile finishing ($L_{max i} = 5400 \text{ mm}$)	DI / DIS / MT / MTS / MI / MIS / DG ¹⁾

¹⁾ $DG_{max} = 45^\circ$; $L_{min1} / L_{min2} = 456 / 612 \text{ mm}$

90x180L

A = 42,8 cm²
 I_x = 1380,0 cm⁴
 I_y = 401,0 cm⁴
 W_x = 153,3 cm³
 W_y = 89,1 cm³
 m = 11,6 kg/m



Cover cap	Color	ESD	No.
90x90L (2x)	Signal gray	20	3 842 548 758
90x90L (2x)	Black	20	3 842 548 759
Material:	PP		

90x180L	L (mm)	No.
1 pc	50 ... 6070	3 842 992 857 / L
1 pc M12	60 ... 6000	3 842 992 858 / L
1 pc M12 M12	110 ... 6000	3 842 992 859 / L
1 pc M12 LF	90 ... 6000	3 842 992 860 / L
1 pc D17V D17V	90 ... 6000	3 842 992 864 / L
1 pc LF LF	80 ... 6000	3 842 992 861 / L
3 pcs	6070	3 842 557 226

Profile finishing: M12: in all core holes
 D17V: in slots A/H, B/G
 LF: in slots A/H, B/G

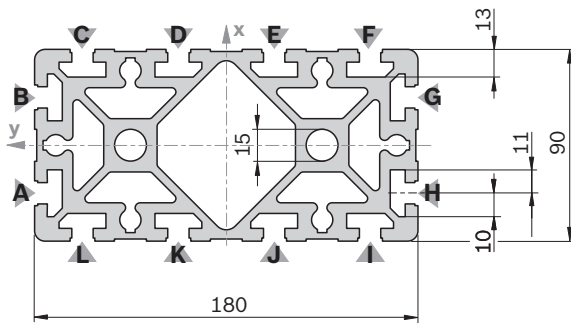
Quick & Easy (p. 2-7, see fold-out section)

90x180L	3 842 993 677 / ...
Length L (mm)	80 ... 6070
Standard profile finishing L _{max} = 6000 mm (note minimum length, p. 2-24)	M12 / D9.8 (C,D,E,F,I, J,K,L) ¹⁾ / D17 (C,D,E, F,I,J,K,L) ¹⁾ / DB17 / F1 (A,G) ¹⁾
Customized profile finishing (L _{max i} = 5400 mm)	DI / DIS / MT / MTS / MI / MIS / DG ²⁾

¹⁾ For the specified slots
²⁾ DG_{max} = 30°; L_{min1} / L_{min2} = 404 / 508 mm

90x180

A = 63,6 cm²
 I_x = 2138,3 cm⁴
 I_y = 544,3 cm⁴
 W_x = 237,6 cm³
 W_y = 121,0 cm³
 m = 17,2 kg/m



Cover cap	Color	ESD	No.
90x90 (2x)	Signal gray	20	3 842 548 760
90x90 (2x)	Black	20	3 842 548 761
Material:	PP		

Cover cap with hole	Color	ESD	No.
90x90 (2x)	Signal gray	20	3 842 548 814
90x90 (2x)	Black	20	3 842 548 815
Material:	PP		

90x180	L (mm)	No.
1 pc	50 ... 6070	3 842 990 416 / L
1 pc M16	120 ... 6000	3 842 990 417 / L
1 pc M16 M16	240 ... 6000	3 842 990 418 / L
1 pc M16 F2	170 ... 6000	3 842 990 419 / L
1 pc D17V D17V	80 ... 6000	3 842 992 378 / L
1 pc LF LF	80 ... 6000	3 842 992 898 / L
1 pc LF-S LF-S	80 ... 6000	3 842 993 081 / L
1 pc F2 F2	110 ... 6000	3 842 990 421 / L
3 pcs	6070	3 842 553 617

Profile finishing: M16: in all core holes
 D17V: in slots A/H, B/G
 LF: in slots A/H, B/G
 LF-S: in slots D/K, E/J

Quick & Easy (p. 2-7, see fold-out section)

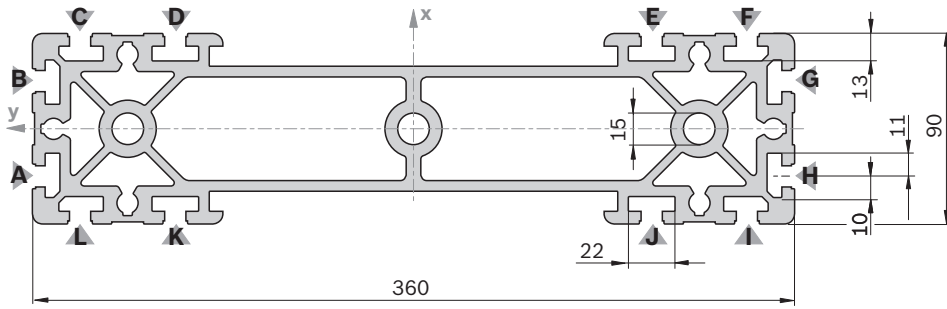
90x180	3 842 993 676 / ...
Length L (mm)	80 ... 6070
Standard profile finishing L _{max} = 6000 mm (note minimum length, p. 2-24)	M16 / D9.8 (C,D,E,F,I,J, K,L) ¹⁾ / D17 (C,D,E,F,I,J, K,L) ¹⁾ / DB17 / F1 (A,G) ¹⁾
Customized profile finishing (L _{max i} = 5400 mm)	DI / DIS / MT / MTS / MI / MIS / DG ²⁾

¹⁾ For the specified slots
²⁾ DG_{max} = 30°; L_{min1} / L_{min2} = 404 / 508 mm

Notice: A quick connector cannot be used with profile 90x180

90x360

A = 90,2 cm²
 $I_x = 14065,0 \text{ cm}^4$
 $I_y = 710,0 \text{ cm}^4$
 $W_x = 781,4 \text{ cm}^3$
 $W_y = 157,7 \text{ cm}^3$
 m = 24,4 kg/m



19449

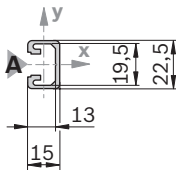
Cover cap	Color	ESD	No.
90x90 (2x)	Signal gray	20	3 842 548 760
90x90 (2x)	Black	20	3 842 548 761
Material:	PP		

Cover cap with hole	Color	ESD	No.
90x90 (2x)	Signal gray	20	3 842 548 814
90x90 (2x)	Black	20	3 842 548 815
Material:	PP		

Notice: A quick connector cannot be used

15x22,5

A = 1,3 cm²
 $I_x = 0,8 \text{ cm}^4$
 $I_y = 0,3 \text{ cm}^4$
 $W_x = 0,9 \text{ cm}^3$
 $W_y = 0,6 \text{ cm}^3$
 m = 0,3 kg/m



19450

Cover cap	Color	ESD	No.
15x22.5 (1x)	Signal gray	20	3 842 548 816
15x22.5 (1x)	Black	20	3 842 548 817
Material:	PP		

90x360	L (mm)	No.
	50 ... 6000	3 842 993 434 / L
M16	240 ... 6000	3 842 993 435 / L
F2	110 ... 6000	3 842 993 436 / L

Profile finishing: M16: in all core holes

Quick & Easy (p. 2-7, see fold-out section)

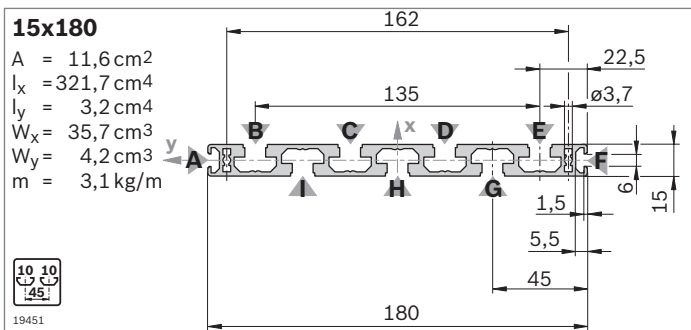
90x360	No.
3 842 993 678 / ...	
Length L (mm)	80 ... 6000
Standard profile finishing $L_{max} = 6000 \text{ mm}$ (note minimum length, p. 2-24)	M16 / D9.8 (C,D,E,F,I,J, K,L) ¹⁾ / D17 (C,D,E,F,I,J, K,L) ¹⁾ / DB17 / F1 (A,G) ¹⁾
Customized profile finishing ($L_{max i} = 5400 \text{ mm}$)	DI / DIS / MT / MTS / MI / MIS

¹⁾ For the specified slots

15x22.5	L (mm)	No.
1 pc	50 ... 3000	3 842 992 473 / L
1 pc D17	60 ... 3000	3 842 992 474 / L
1 pc D17	80 ... 3000	3 842 992 475 / L
10 pcs	2000	3 842 513 576

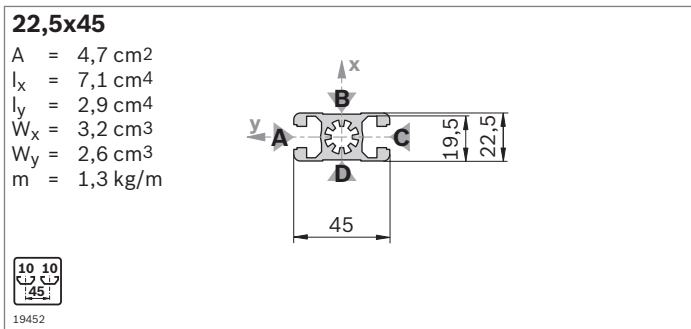
Quick & Easy (p. 2-7, see fold-out section)

15x22.5	No.
3 842 993 689 / ...	
Length L (mm)	50 ... 2000
Standard profile finishing (note minimum length, p. 2-24)	D9.8 / D17
Customized profile finishing	—



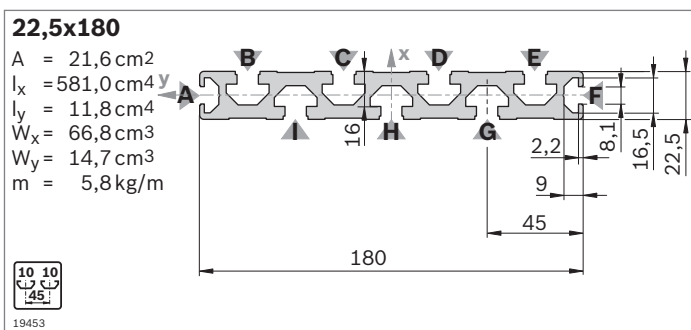
Cover cap	Color	ESD	No.
15x180 (1x)	Signal gray	20	3 842 548 772
15x180 (1x)	Black	20	3 842 548 773

Material: PP



Cover cap	Color	ESD	No.
22,5x45 (1x)	Signal gray	20	3 842 548 830
22,5x45 (1x)	Black	20	3 842 548 831

Material: PP



Cover cap	Color	ESD	No.
22,5x180 (1x)	Signal gray	20	3 842 548 770
22,5x180 (1x)	Black	20	3 842 548 771

Material: PP

15x180	L (mm)	No.
1 pc	50 ... 6070	3 842 993 079 / L
6 pcs	6070	3 842 557 242

Quick & Easy (p. 2-7, see fold-out section)

15x180	3 842 993 686 / ...
Length L (mm)	80 ... 6070
Standard profile finishing L _{max} = 6000 mm (note minimum length, p. 2-24)	D9.8 (B,C,D,E,G,H,I) ¹⁾ / D17 (B,C,D,E,G,H,I) ¹⁾
Customized profile finishing (L _{max i} = 5400 mm)	DI / DIS / MT / MTS / MI / MIS

¹⁾ For the specified slots

22,5x45	L (mm)	No.
1 pc	50 ... 6070	3 842 990 292 / L
1 pc M12	60 ... 6000	3 842 990 087 / L
1 pc M12 M12	110 ... 6000	3 842 990 090 / L
1 pc D17V D17V	80 ... 6000	3 842 990 091 / L
24 pcs	6070	3 842 537 812

Quick & Easy (p. 2-7, see fold-out section)

22,5x45	3 842 993 700 / ...
Length L (mm)	50 ... 6070
Standard profile finishing L _{max} = 6000 mm (note minimum length, p. 2-24)	M12 / D9.8 (A,C) ¹⁾ / D17 / DB17 (A,C) ¹⁾
Customized profile finishing (L _{max i} = 5400 mm)	DI / DIS / MT / MTS / MI / MIS / DG ²⁾

¹⁾ For the specified slots

²⁾ DG_{max} = 45°; L_{min1} / L_{min2} = 378 / 456 mm

22,5x180	L (mm)	No.
1 pc	50 ... 6070	3 842 990 345 / L
6 pcs	6070	3 842 557 944

Profile finishing: D28: in slots G, I

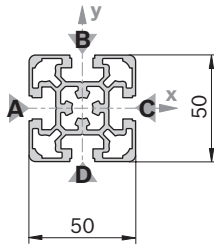
Quick & Easy (p. 2-7, see fold-out section)

22,5x180	3 842 993 699 / ...
Length L (mm)	80 ... 6070
Standard profile finishing L _{max} = 6000 mm (note minimum length, p. 2-24)	D9.8 (B,C,D,E,G,H,I) ¹⁾ / D17 (B,C,D,E,G,H,I) ¹⁾
Customized profile finishing (L _{max i} = 5400 mm)	DI / DIS / MT / MTS / MI / MIS

¹⁾ For the specified slots

50x50L

A = 9,3 cm²
 $I_x = 21,2 \text{ cm}^4$
 $I_y = 21,2 \text{ cm}^4$
 $W_x = 8,5 \text{ cm}^3$
 $W_y = 8,5 \text{ cm}^3$
 m = 2,5 kg/m



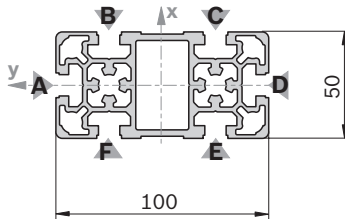
19454

Cover cap	Color	ESD	No.
50x50 (1x)	Signal gray	20	3 842 548 820
50x50 (1x)	Black	20	3 842 548 821
Material:	PP		

Cover cap with hole	Color	ESD	No.
50x50 (1x)	Signal gray	20	3 842 548 822
50x50 (1x)	Black	20	3 842 548 823
Material:	PP		

50x100L

A = 17,2 cm²
 $I_x = 162,8 \text{ cm}^4$
 $I_y = 42,6 \text{ cm}^4$
 $W_x = 32,6 \text{ cm}^3$
 $W_y = 17,0 \text{ cm}^3$
 m = 4,6 kg/m



19455

Cover cap	Color	ESD	No.
50x50 (2x)	Signal gray	20	3 842 548 820
50x50 (2x)	Black	20	3 842 548 821
Material:	PP		

Cover cap with hole	Color	ESD	No.
50x50 (2x)	Signal gray	20	3 842 548 822
50x50 (2x)	Black	20	3 842 548 823
Material:	PP		

50x50L	L (mm)	No.
1 pc	50 ... 6070	3 842 993 156 / L
1 pc M12	60 ... 6000	3 842 993 157 / L
1 pc M12 M12	110 ... 6000	3 842 993 158 / L
1 pc M12 D17	90 ... 6000	3 842 993 159 / L
1 pc D9,8 D9,8	80 ... 6000	3 842 993 164 / L
1 pc D17	60 ... 6000	3 842 993 160 / L
1 pc D17 D17	80 ... 6000	3 842 993 161 / L
1 pc D17 D17V	80 ... 6000	3 842 993 162 / L
20 pcs	6070	3 842 529 351

Quick & Easy (p. 2-7, see fold-out section)

50x50L	3 842 993 665 / ...
Length L (mm)	50 ... 6070
Standard profile finishing ($L_{max} = 6000 \text{ mm}$) (note minimum length, p. 2-24)	M12 / M16 / D9.8 / D17 / DB17
Customized profile finishing ($L_{max i} = 5400 \text{ mm}$)	DI / DIS / MT / MTS / MI / MIS / DG ¹⁾
1) $DG_{max} = 45^\circ$; $L_{min1} / L_{min2} = 387 / 474 \text{ mm}$	

50x100L	L (mm)	No.
1 pc	50 ... 6070	3 842 993 163 / L
1 pc M12	60 ... 6000	3 842 993 165 / L
1 pc M12 M12	110 ... 6000	3 842 993 166 / L
1 pc D17 D17	80 ... 6000	3 842 993 167 / L
1 pc D17 D17V	80 ... 6000	3 842 993 168 / L
1 pc D17V	60 ... 6000	3 842 993 169 / L
1 pc D17V D17V	90 ... 6000	3 842 993 170 / L
10 pcs	6070	3 842 537 825

Profile finishing: M12: in all core holes
 D17: in slots B/F, C/E
 D17V: in slot A/D

Quick & Easy (p. 2-7, see fold-out section)

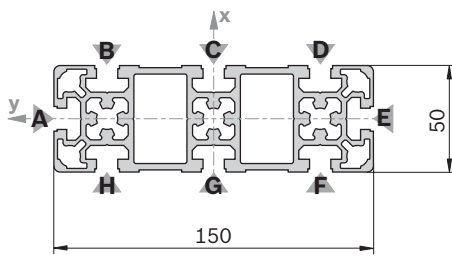
50x100L	3 842 993 663 / ...
Length L (mm)	50 ... 6070
Standard profile finishing ($L_{max} = 6000 \text{ mm}$) (note minimum length, p. 2-24)	M12 / M16 / D9.8 / D17 / DB17 / F1 (A, D) ¹⁾
Customized profile finishing ($L_{max i} = 5400 \text{ mm}$)	DI / DIS / MT / MTS / MI / MIS / DG ²⁾

1) For the specified slots

2) $DG_{max} = 45^\circ$; $L_{min1} / L_{min2} = 474 / 648 \text{ mm}$

50x150L

A = 25,8 cm²
 I_x = 540,0 cm⁴
 I_y = 64,2 cm⁴
 W_x = 72,0 cm³
 W_y = 25,7 cm³
 m = 6,9 kg/m



19456

Cover cap	Color	ESD	No.
50x150 (1x)	Signal gray	20	3 842 548 818
50x150 (1x)	Black	20	3 842 548 819

Material: PP

50x150L	L (mm)	No.
1 pc	50 ... 6070	3 842 993 196 / L
1 pc M12	60 ... 6000	3 842 993 194 / L
1 pc M12 M12	110 ... 6000	3 842 993 199 / L
1 pc D17 D17	80 ... 6000	3 842 993 200 / L
4 pcs	6070	3 842 537 826

Profile finishing: M12: in all core holes
 D17: in slots B/H, C/G, D/F
 D17V: in slots A/E

Quick & Easy (p. 2-7, see fold-out section)

50x150L	3 842 993 664 / ...
---------	---------------------

Length L (mm) 80 ... 6070

Standard profile finishing L_{max} = 6000 mm M12 / M16 /
 (note minimum length, p. 2-24) D9.8 (B,C,D,F,G,H)¹⁾ /
 D17 (B,C,D,F,G,H)¹⁾ /
 DB17 / F1 (A,E)¹⁾

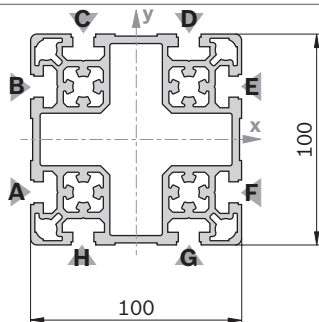
Customized profile finishing DI / DIS / MT / MTS /
 (L_{max i} = 5400 mm) MI / MIS / DG²⁾

¹⁾ For the specified slots

²⁾ DG_{max} = 45°; L_{min1} / L_{min2} = 450 / 600 mm

100x100L

A = 29,9 cm²
 I_x = 318,3 cm⁴
 I_y = 318,3 cm⁴
 W_x = 63,7 cm³
 W_y = 63,7 cm³
 m = 8,1 kg/m



19457

Cover cap	Color	ESD	No.
100x100 (1x)	Signal gray	20	3 842 548 824
100x100 (1x)	Black	20	3 842 548 825

Material: PP

100x100L	L (mm)	No.
1 pc	50 ... 6070	3 842 993 171 / L
1 pc M12	60 ... 6000	3 842 993 172 / L
1 pc M12 M12	110 ... 6000	3 842 993 173 / L
1 pc M12 D17	90 ... 6000	3 842 993 174 / L
1 pc D17	60 ... 6000	3 842 993 175 / L
1 pc D17 D17	80 ... 6000	3 842 993 176 / L
1 pc D17 D17V	80 ... 6000	3 842 993 177 / L
6 pcs	6070	3 842 529 355

Profile finishing: M12: in all core holes
 D17: in slots C/H, D/G
 D17V: in slots A/F, B/E

Quick & Easy (p. 2-7, see fold-out section)

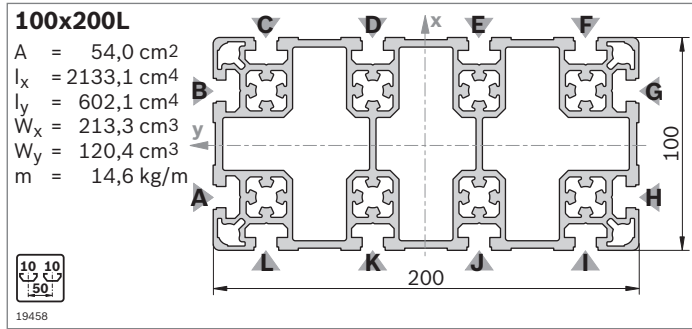
100x100L	3 842 993 685 / ...
----------	---------------------

Length L (mm) 50 ... 6070

Standard profile finishing L_{max} = 6000 mm M12 / M16 / D9.8 /
 (note minimum length, p. 2-24) D17 / DB17 / F1

Customized profile finishing DI / DIS / MT / MTS /
 (L_{max i} = 5400 mm) MI / MIS / DG¹⁾

¹⁾ DG_{max} = 45°; L_{min1} / L_{min2} = 474 / 648 mm



Cover cap	Color	ESD	No.
100x100 (2x)	Signal gray	20	3 842 548 824
100x100 (2x)	Black	20	3 842 548 825

Material: PP

100x200L	L (mm)	No.
1 pc	50 ... 6070	3 842 993 178 / L
1 pc M12	60 ... 6000	3 842 993 179 / L
1 pc M12 M12	110 ... 6000	3 842 993 180 / L
1 pc M12 D17	90 ... 6000	3 842 993 181 / L
1 pc D17	60 ... 6000	3 842 993 182 / L
1 pc D17 D17	80 ... 6000	3 842 993 183 / L
3 pcs	6070	3 842 529 357

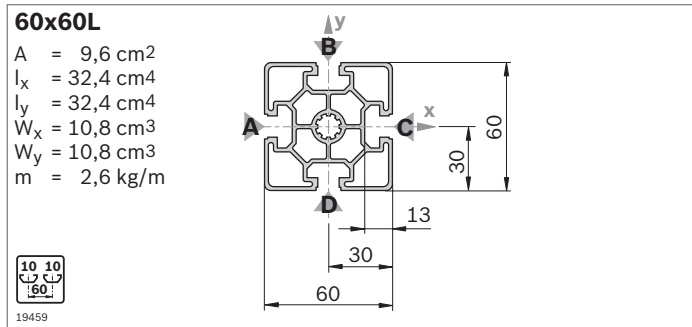
Profile finishing: M12: in all core holes
 D17: in slots C/L, D/K, E/J, F/I
 D17V: in slots A/H, B/G

Quick & Easy (p. 2-7, see fold-out section)

100x200L	3 842 993 687 / ...
Length L (mm)	50 ... 6070
Standard profile finishing $L_{max} = 6000 \text{ mm}$ (note minimum length, p. 2-24)	M12 / M16 / D9.8 (C,D,E,F,I,J,K,L) ¹⁾ / D17 (C,D,E,F,I,J,K,L) ¹⁾ / DB17 / F1 (A,G) ¹⁾
Customized profile finishing ($L_{max} = 5400 \text{ mm}$)	DI / DIS / MT / MTS / MI / MIS / DG ²⁾

¹⁾ For the specified slots

²⁾ $DG_{max} = 30^\circ$; $L_{min} = 416 / 532 \text{ mm}$



Cover cap	Color	ESD	No.
60x60 (1x)	Signal gray	100	3 842 548 808
60x60 (1x)	Black	20	3 842 548 809

Material: PP

Cover cap with hole	Color	ESD	No.
60x60 (1x)	Signal gray	20	3 842 548 810
60x60 (1x)	Black	20	3 842 548 811

Material: PP

60x60L	L (mm)	No.
1 pc	50 ... 6070	3 842 992 443 / L
1 pc M12	60 ... 6000	3 842 992 444 / L
1 pc M12 M12	110 ... 6000	3 842 992 445 / L
1 pc M12 D17	90 ... 6000	3 842 992 446 / L
1 pc D17	60 ... 6000	3 842 992 449 / L
1 pc D17 D17	80 ... 6000	3 842 992 447 / L
1 pc D17 D17V	80 ... 6000	3 842 992 448 / L
20 pcs	6070	3 842 557 204

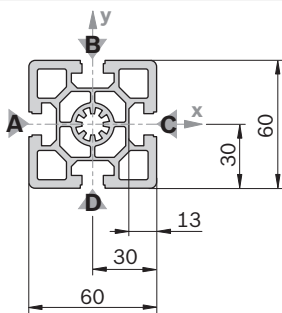
Quick & Easy (p. 2-7, see fold-out section)

60x60L	3 842 993 670 / ...
Length L (mm)	50 ... 6070
Standard profile finishing $L_{max} = 6000 \text{ mm}$ (note minimum length, p. 2-24)	M12 / D9.8 / D17 / DB17
Customized profile finishing ($L_{max} = 5400 \text{ mm}$)	DI / DIS / MT / MTS / MI / MIS / DG ¹⁾

¹⁾ $DG_{max} = 45^\circ$; $L_{min} = 404 / 508 \text{ mm}$

60x60

A = 14,4 cm²
 I_x = 52,2 cm⁴
 I_y = 52,2 cm⁴
 W_x = 17,4 cm³
 W_y = 17,4 cm³
 m = 3,9 kg/m



19460

Cover cap	Color	ESD	No.
60x60 (1x)	Signal gray	100	3 842 548 808
60x60 (1x)	Black	20	3 842 548 809

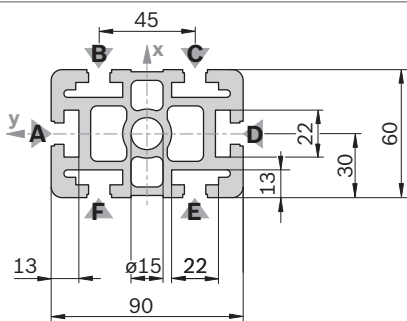
Material: PP

Cover cap with hole	Color	ESD	No.
60x60 (1x)	Signal gray	20	3 842 548 810
60x60 (1x)	Black	20	3 842 548 811

Material: PP

60x90

A = 25,8 cm²
 I_x = 214,2 cm⁴
 I_y = 90,5 cm⁴
 W_x = 47,6 cm³
 W_y = 30,2 cm³
 m = 7,0 kg/m



19461

Cover cap	Color	ESD	No.
60x90 (1x)	Signal gray	20	3 842 548 812
60x90 (1x)	Black	20	3 842 548 813

Material: PP

Cover cap with hole	Color	ESD	No.
60x90 (1x)	Signal gray	20	3 842 551 050
60x90 (1x)	Black	20	3 842 551 051

Material: PP

Notice: A quick connector cannot be used

60x60	L (mm)	No.
1 pc	50 ... 6070	3 842 990 350 / L
1 pc M12	60 ... 6000	3 842 990 351 / L
1 pc M12-M12	110 ... 6000	3 842 990 353 / L
1 pc M12-M16	180 ... 6000	3 842 990 354 / L
1 pc M12-D17	90 ... 6000	3 842 990 355 / L
1 pc M16	120 ... 6000	3 842 990 352 / L
1 pc M16-D17	170 ... 6000	3 842 990 373 / L
1 pc D17	50 ... 6000	3 842 990 370 / L
1 pc D17-D17	80 ... 6000	3 842 990 357 / L
1 pc D17-D17V	80 ... 6000	3 842 990 359 / L
20 pcs	6070	3 842 557 202

Quick & Easy (p. 2-7, see fold-out section)

60x60	3 842 993 668 / ...
Length L (mm)	50 ... 6070
Standard profile finishing L _{max} = 6000 mm (note minimum length, p. 2-24)	M12 / M16 / D9.8 / D17 / DB17
Customized profile finishing (L _{max i} = 5400 mm)	DI / DIS / MT / MTS / MI / MIS / DG ¹⁾

¹⁾ DG_{max} = 45°; L_{min} = 404 / 508 mm

60x90	L (mm)	No.
1 pc	50 ... 6070	3 842 990 450 / ...
1 pc M16	120 ... 6000	3 842 990 453 / ...
1 pc M16-M16	240 ... 6000	3 842 990 454 / ...
1 pc M16-D17	170 ... 6000	3 842 992 962 / ...
1 pc M16-D17V	170 ... 6000	3 842 992 963 / ...
1 pc M16-F2	170 ... 6000	3 842 990 472 / ...
1 pc D17-D17	80 ... 6000	3 842 990 097 / ...
1 pc D17-D17V	80 ... 6000	3 842 990 099 / ...
1 pc D17V-D17V	90 ... 6000	3 842 990 098 / ...
1 pc F1-F1	110 ... 6000	3 842 990 464 / ...
1 pc F1-F1V	110 ... 6000	3 842 990 481 / ...
1 pc F2-F2	110 ... 6000	3 842 990 478 / ...
10 pcs	6070	3 842 557 207

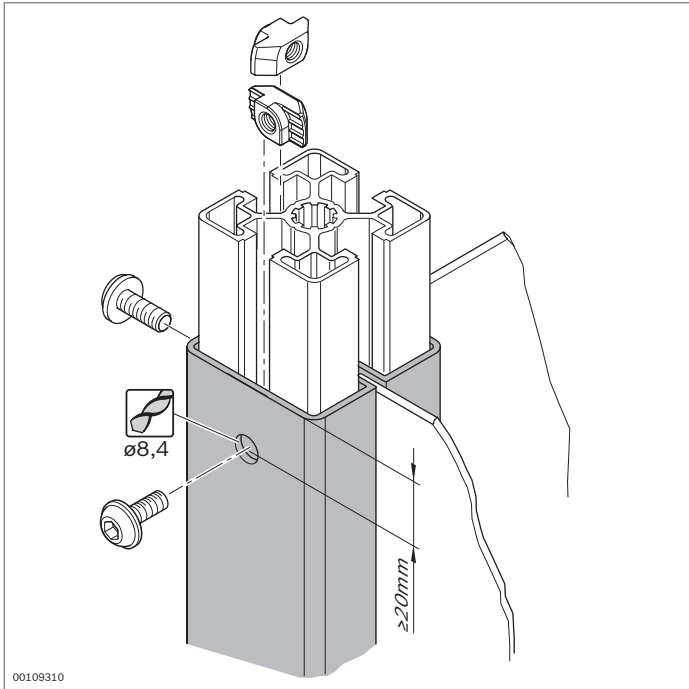
Profile finishing: D17: in slots B/F, C/E
 D17V: in slots A/D

Quick & Easy (p. 2-7, see fold-out section)

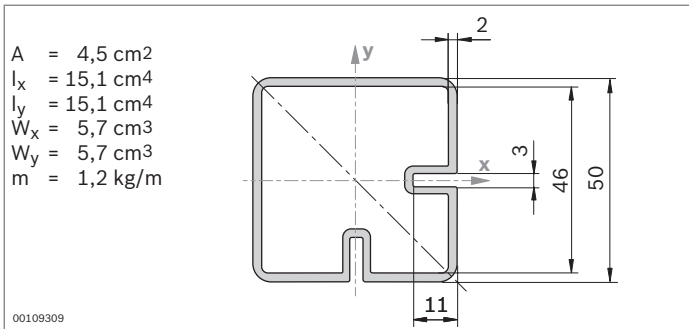
60x90	3 842 993 671 / ...
Length L (mm)	50 ... 6070
Standard profile finishing L _{max} = 6000 mm (note minimum length, p. 2-24)	M16 / D9.8 / D17 / DB17 / F1 (A, D) ¹⁾
Customized profile finishing (L _{max i} = 5400 mm)	DI / DIS / MT / MTS / MI / MIS / DG ¹⁾

¹⁾ For the specified slots

¹⁾ DG_{max} = 45°; L_{min} = 456 / 612 mm



00109310



00109309




Rectangular tube

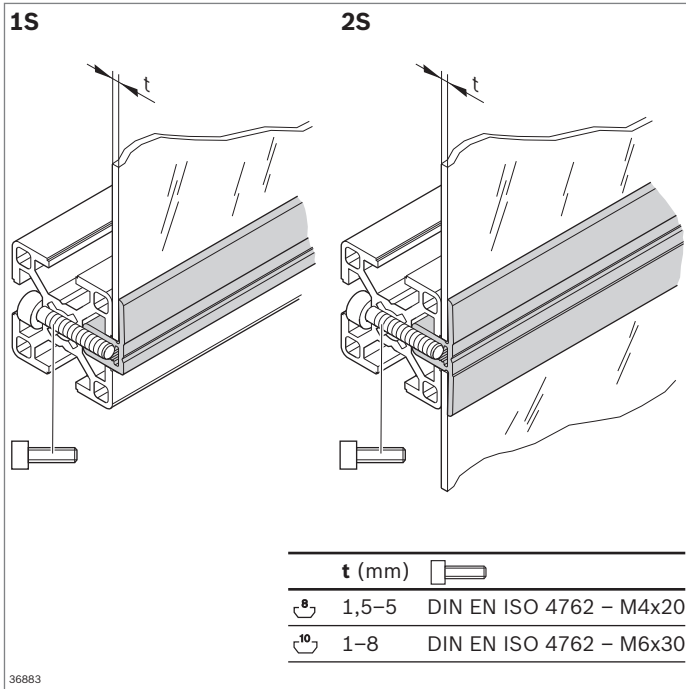


- ▶ For constructing manually height-adjustable frames
- ▶ Cut-outs for mounting of panel elements
- ▶ Profile finishing: Hole for screw

Required accessories:

Fastening material

Rectangular tube		L (mm)	No.
1 pc		50 ... 6070	3 842 992 913 / L
 6 pcs		6070	3 842 557 960
Material:		Aluminum; anodized	



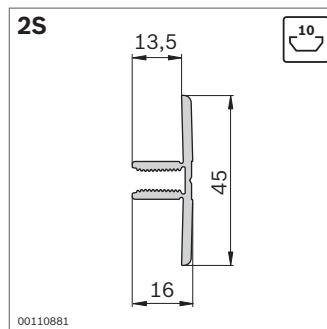
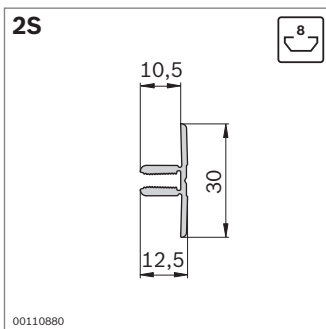
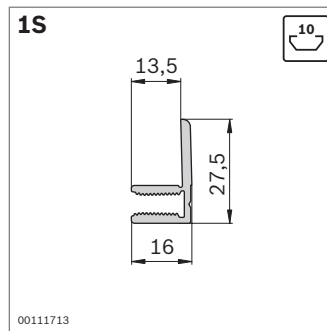
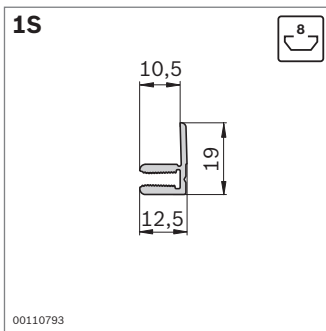
Clamping profile



- ▶ For simple fastening of panes, panel elements, or grilles on strut profiles
- ▶ For subsequent installation in closed frame constructions
- ▶ For panel elements with varying thicknesses
- ▶ Profile finishing: Through-hole for mounting screw

Required accessories:

- ▶ Cylinder head bolt DIN EN ISO 4762 – M4x20 (8 mm slot)
- ▶ Cylinder head bolt DIN EN ISO 4762 – M6x30 (10 mm slot)

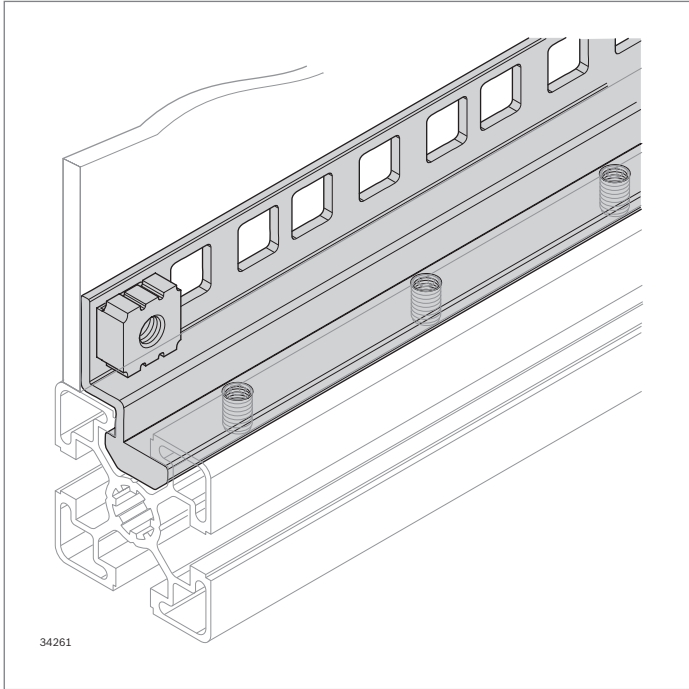


Clamping profile 1S		Slot	L (mm)	No.
1 pc		8	50 ... 3000	3 842 993 017 / L
10 pcs		8	3000	3 842 524 058
1 pc		10	50 ... 3000	3 842 993 019 / L
10 pcs		10	3000	3 842 524 064

Material: Aluminum; anodized

Clamping profile 2S		Slot	L (mm)	No.
1 pc		8	50 ... 3000	3 842 993 018 / L
10 pcs		8	3000	3 842 524 061
1 pc		10	50 ... 3000	3 842 993 020 / L
10 pcs		10	3000	3 842 524 067

Material: Aluminum; anodized



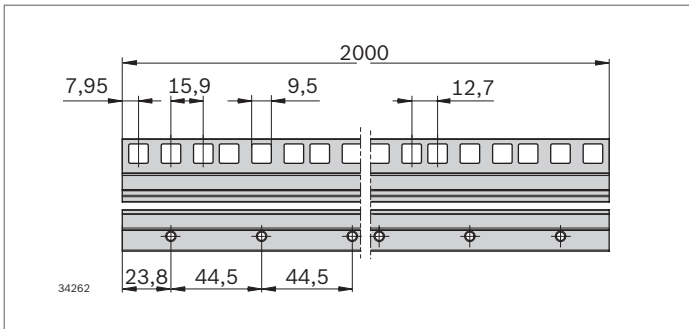
34261

Al angle profile 19"



- ▶ Rail for mounting 19" devices in electronic and electrical production
- ▶ Suitable for fastening panel elements
- ▶ Fully finished angle profile
 - with square cutouts for fastening the 19" devices with a cage nut (hole according to DIN 60297-3-100)
 - with threads for fastening the Al angle profile with headless setscrews in the slot
- ▶ Angle profile, can be swiveled into slot

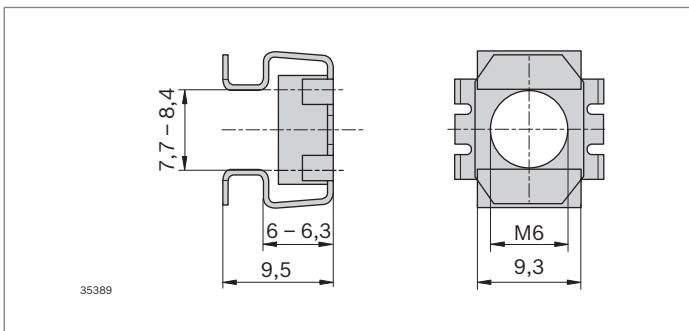
Required accessories: Headless setscrew M6x12



34262

Al angle profile 19"		L (mm)	No.
	10 pcs		2000 3 842 557 254

Material: Aluminum; anodized



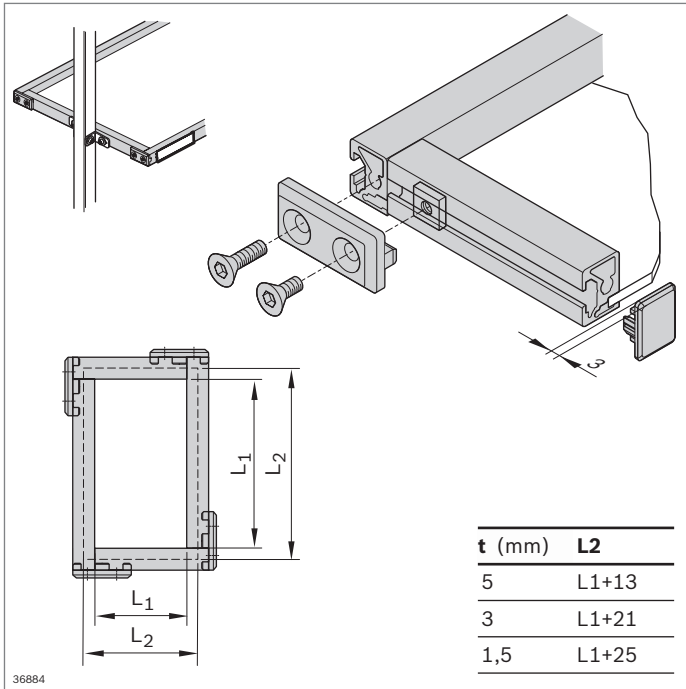
35389

Cage nut

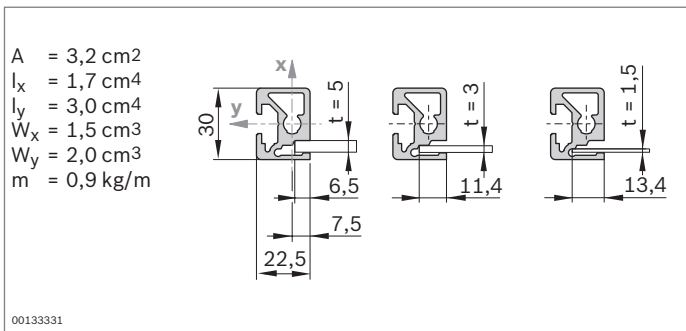
- ▶ For fastening panel elements or 19" devices on profile
- ▶ Easy assembly as tension springs snap into the recess

Cage nut M6		No.
	20	3 842 557 255

Material: Steel; galvanized



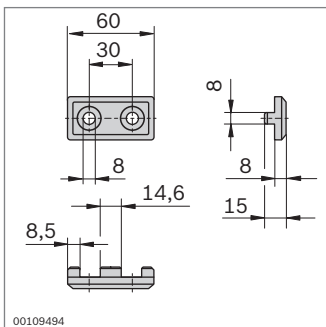
36884



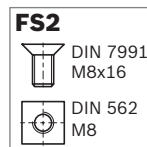
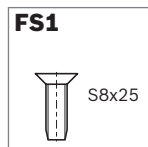
00133331

Cover cap	Color	ESD	No.
22.5x30	Signal gray	20	3 842 551 564
22.5x30	Black	20	3 842 551 565

Material: PP



00109494



Frame profile 22.5x30



- ▶ For inexpensive construction of trays and material shelves
- ▶ Panel elements are mounted under tension so that they do not rattle

Optional accessories:

- ▶ Bracket set M6 (p. 3-30)
- ▶ Swivel mounting (p. 4-12)
- ▶ Labeling clip for 8 mm slot (p. 2-86)
- ▶ Plate (p. 2-62)

Frame profile 22.5x30	Slot	L (mm)	No.
1 pc	8	50 ... 6070	3 842 992 493 / L
20 pcs	8	6070	3 842 557 946

Material: Aluminum; anodized

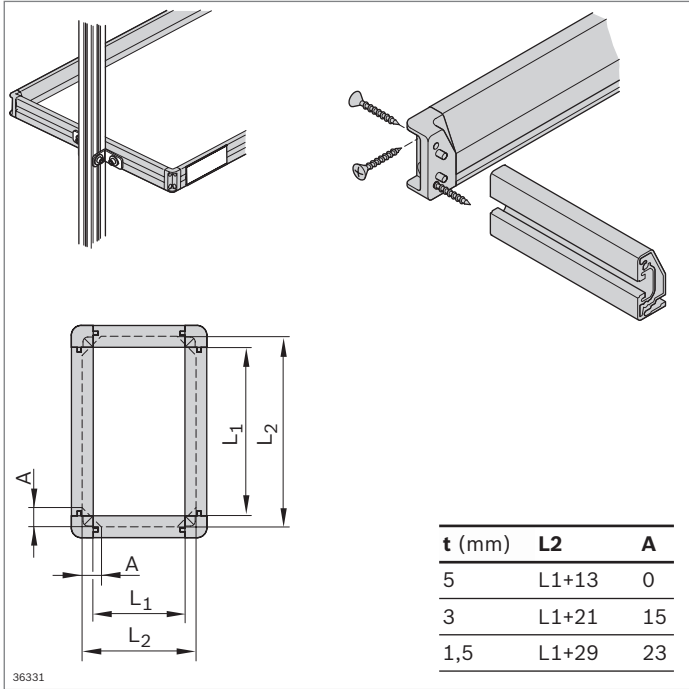
Corner piece for frame profile 22.5x30

- ▶ For the right-angled connection of two 22.5x30 frame profiles
- ▶ Profile finishing not required

Corner piece	Color	ESD	No.	FS
22.5x30	Signal gray	20	3 842 554 708	FS1, FS2
22.5x30	Black	20	3 842 554 709	FS1, FS2

Material: PA

Scope of delivery: Incl. fastening material (FS)



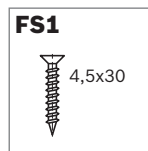
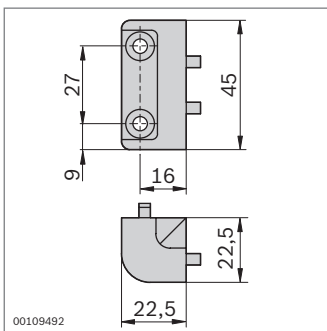
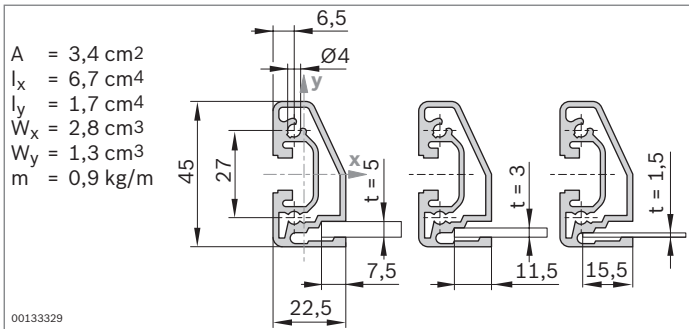
Frame profile 22.5x45



- ▶ For inexpensive construction of trays and material shelves
- ▶ Panel elements are mounted under tension so that they do not rattle

Optional accessories:

- ▶ Bracket set (p. 3-32)
- ▶ Swivel mounting (p. 4-12)
- ▶ Labeling clip for 10 mm slot (p. 2-86)
- ▶ Plate (p. 2-62)



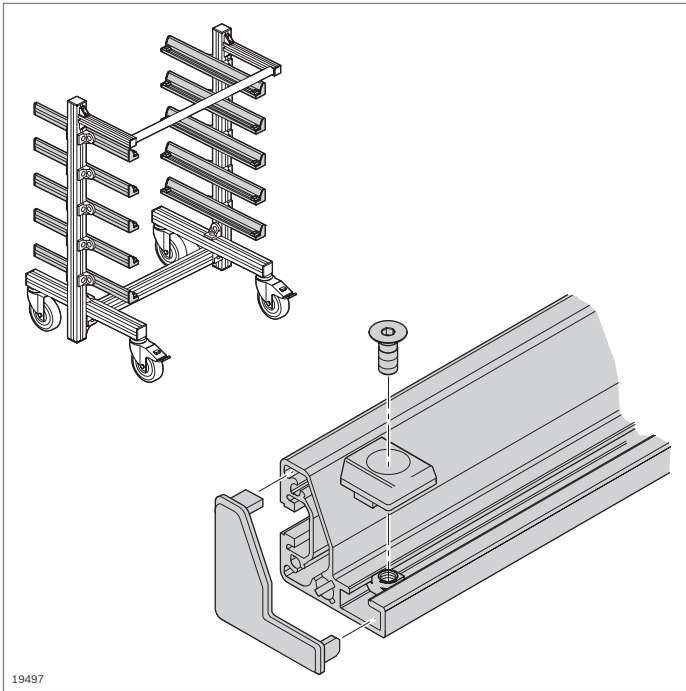
Corner bracket for frame profile 22.5x45

- ▶ For the right-angled connection of two 22.5x45 frame profiles
- ▶ Profile finishing not required

Corner bracket	ESD	No.	FS
22.5x45		20 3 842 535 637	4xFS1

Material: Diecast zinc

Scope of delivery: Incl. fastening material (FS)



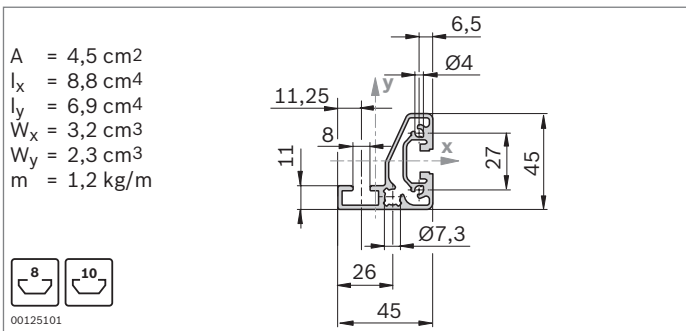
Angle profile



- For supporting containers, plates, or workpiece pallets in flow racks, material shuttles, or hopper stackers

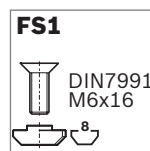
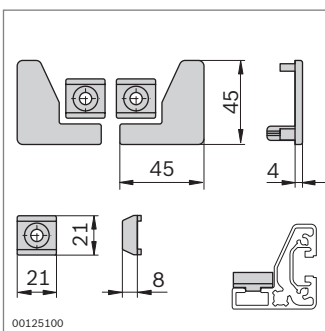
Accessories:

Bracket R40x43 (p. 3-31)



Angle profile	L (mm)	No.
1 pc	50 ... 6070	3 842 992 412 / L
20 pcs	6070	3 842 557 942

Material: Aluminum; anodized



Stopper and cover cap

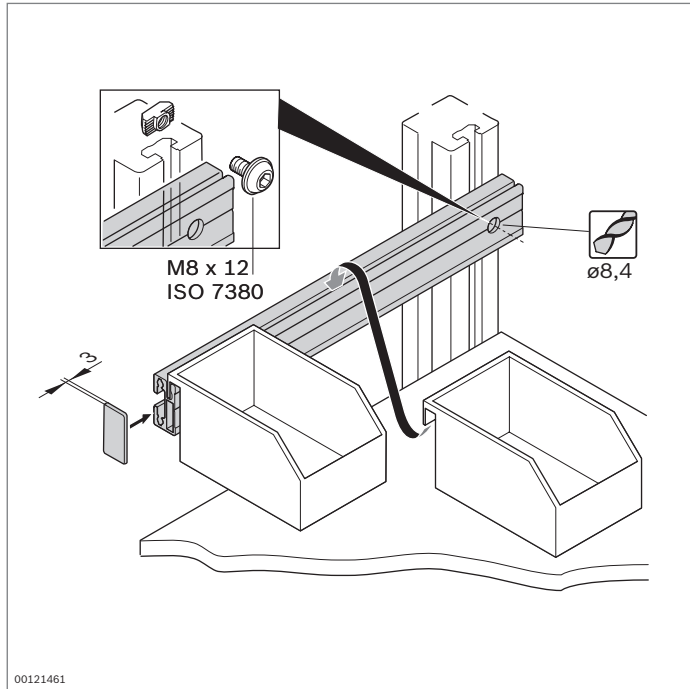
- The stopper prevents containers from shifting on the angle profile
- Cover cap to prevent injuries at open profile ends
- Attractive design

Stopper, cover cap	Color	ESD	No.	FS
Set	Signal gray	20	3 842 554 490	2xFS1
Set	Black	20	3 842 554 491	2xFS1

Material: PA

Fastening material: Steel; galvanized

Scope of delivery: Incl. fastening material (FS)



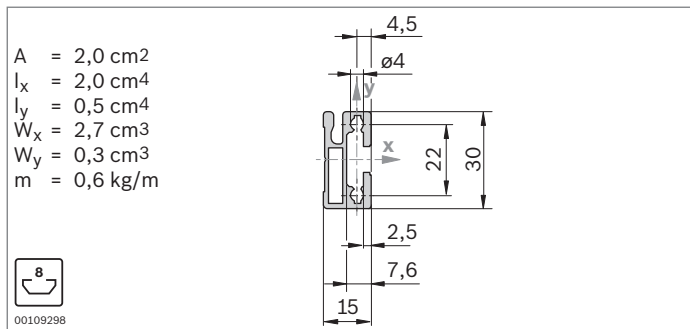
Suspension profile



- ▶ For the fast, secure suspension of grab containers, grab ledges, grab trays, and tool holders
- ▶ Profile finishing:
Through-hole for screwdriver
- ▶ Matching grab containers in the Manual Production Systems catalog (**3 842 538 280**)

Required accessories:

- ▶ Screw
- ▶ T-nut (p. 3-4)

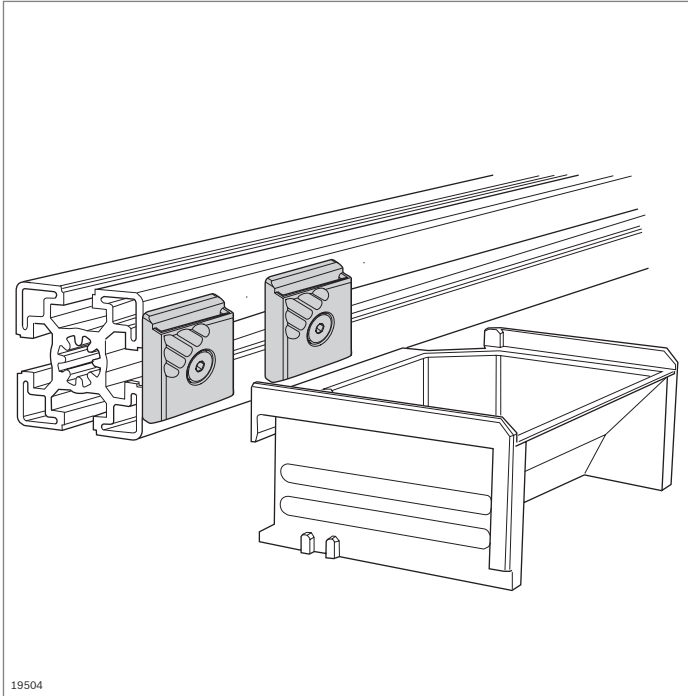


Suspension profile	L (mm)	ESD No.
1 pc	50 ... 3000	3 842 993 411 / L
10 pcs	3000	3 842 537 679
1 pc	50 ... 3000	3 842 993 063 / L
10 pcs	3000	3 842 554 157

Material: Suspension profile: Aluminum; anodized
Suspension profile ESD: Aluminum; natural

Cover cap	Color	ESD	No.
15x30	Signal gray	20	3 842 551 582
15x30	Black	20	3 842 551 583

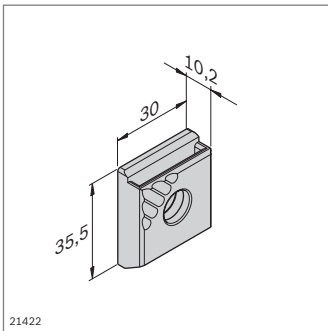
Material: PP



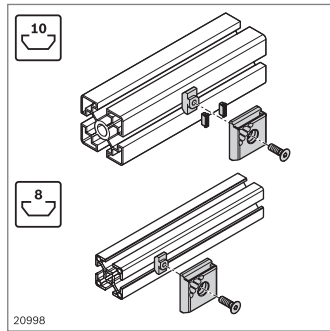
19504

Container mount

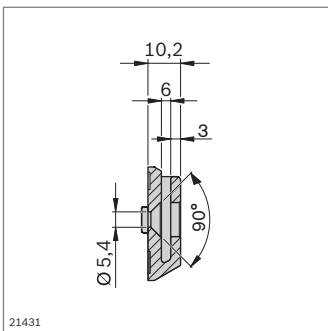
- ▶ Container mount for mounting tool holders, grab containers, grab trays and grab ledges
- ▶ Suitable for 8 mm and 10 mm slots



21422



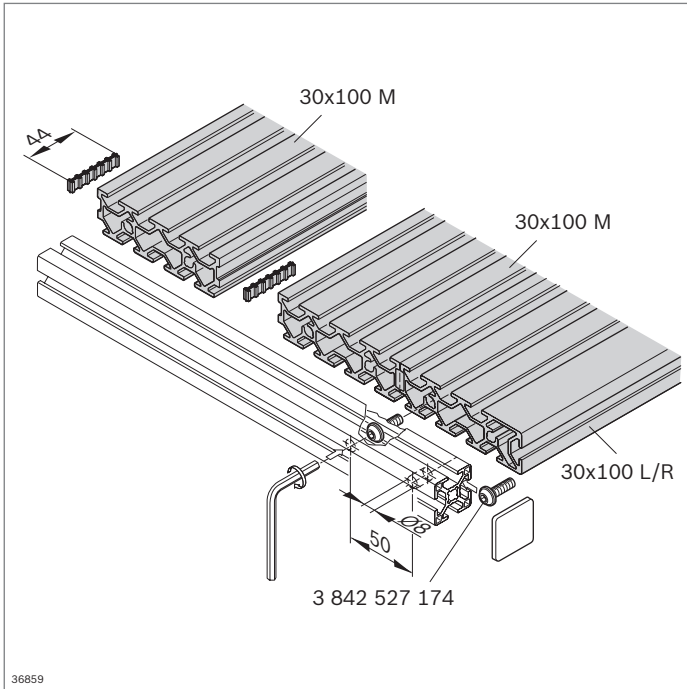
20998



21431

Container mount	ESD No.
10	3 842 544 797

Material: PA 66; black
 Fastening material: Steel; galvanized
 Scope of delivery: Incl. fastening material (FS)



Grooved plate 30x100

- ▶ Modular plate profiles with multiple slots for experimental constructions of any size
- ▶ Slot spacing 25 mm
- ▶ Slot size 8.9 mm
- ▶ 8 mm slot connectors may be used

Optional accessories:

- ▶ Profile 30x30 (p. 2-16)
- ▶ Sliding block

- ▶ Grooved plate **30x100 L/R** with lateral 8 mm slot as outer stop

Grooved plate 30x100 L/R	Slot	L (mm)	No.
1 pc	8	100 ... 5600	3 842 993 337 / L
18 pcs	8	5600	3 842 542 696

Material: Aluminum; anodized

- ▶ Grooved plate **30x100 M** for constructing grooved plates of any width

Grooved plate 30x100 M	Slot	L (mm)	No.
1 pc	8	100 ... 5600	3 842 993 336 / L
18 pcs	8	5600	3 842 542 698

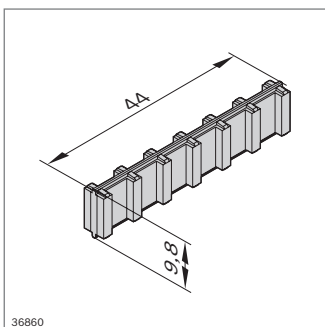
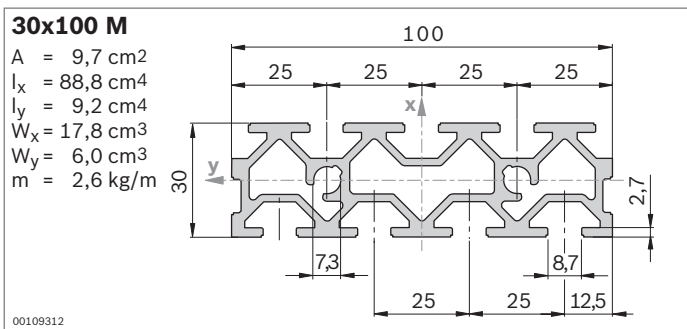
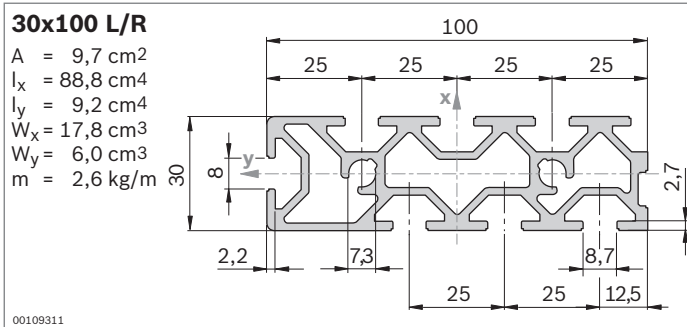
Material: Aluminum; anodized

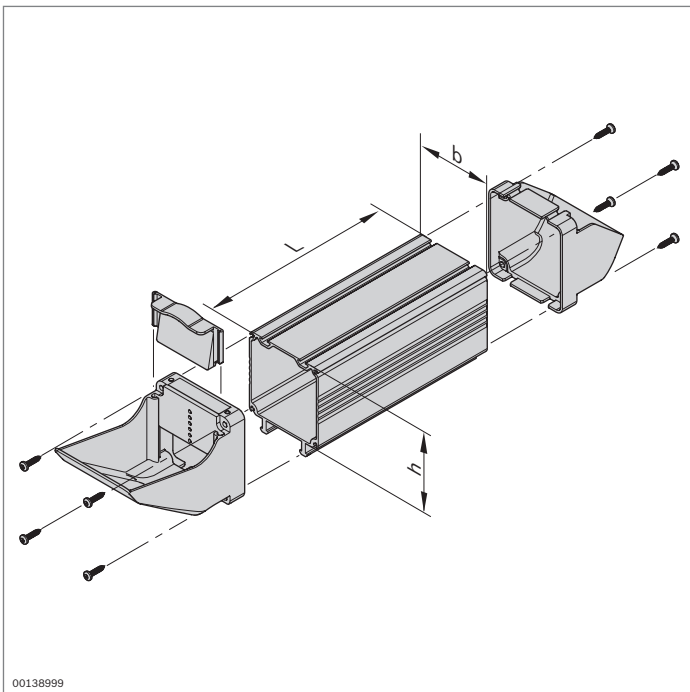
Sliding block

- ▶ For connecting grooved plates 30x100
- ▶ Recommendation: Use 3 sliding blocks per meter of profile length

Sliding block	No.
	100 3 842 520 922

Material: PA





00138999

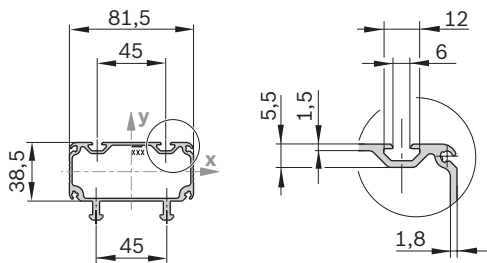
Material chute
Grab ledge and refill end-piece
Grab container base



- ▶ Small parts within easy reach on the workstation
- ▶ Components for the individual construction of stable Vario grab containers
- ▶ Customizable holding capacity

90x45

A = 7,0 cm²
 I_x = 20,7 cm⁴
 I_y = 54,3 cm⁴
 m = 1,8 kg/m



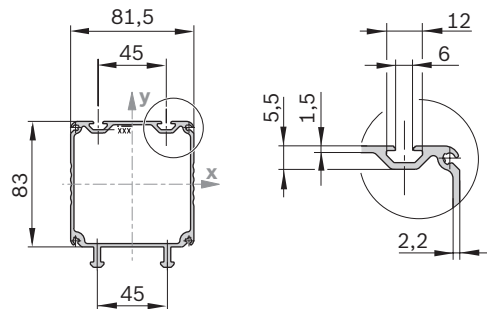
19908

Material chute 90x45		L (mm)	ESD No.
1 pc		50 ... 3000	3 842 993 071 / L
3 pcs		3000	3 842 526 671
1 pc		50 ... 1500	3 842 993 446 / L
6 pcs		1500	3 842 558 332

Material: Material chute: Aluminum; anodized
 Material chute ESD: Aluminum; coated with Alutin

90x90

A = 9,6 cm²
 I_x = 118,8 cm⁴
 I_y = 88,1 cm⁴
 m = 2,5 kg/m



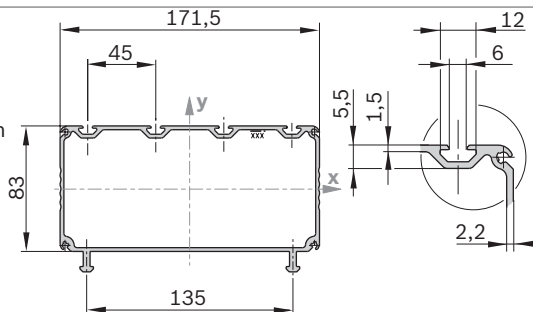
19599

Material chute 90x90		L (mm)	ESD No.
1 pc		50 ... 3000	3 842 993 072 / L
3 pcs		3000	3 842 526 672
1 pc		50 ... 1500	3 842 993 517 / L
6 pcs		1500	3 842 558 333

Material: Material chute: Aluminum; anodized
 Material chute ESD: Aluminum; coated with Alutin

180x90

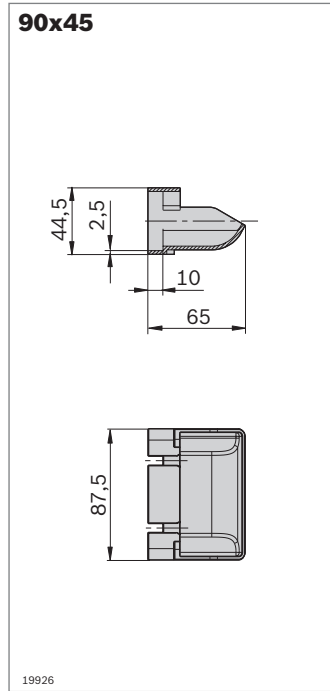
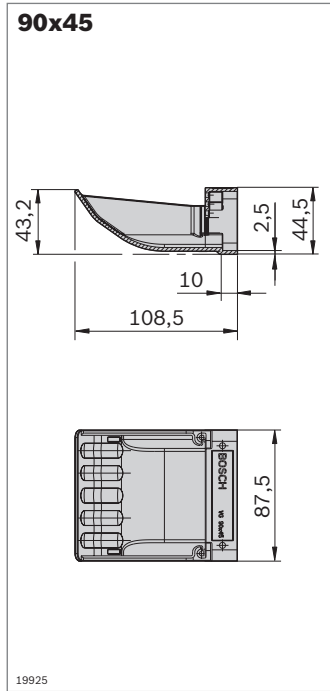
A = 15,5 cm²
 I_x = 208,2 cm⁴
 I_y = 597,5 cm⁴
 m = 4,2 kg/m



19909

Material chute 180x90		L (mm)	ESD No.
1 pc		50 ... 3000	3 842 993 073 / L
3 pcs		3000	3 842 526 673
1 pc		50 ... 1500	3 842 993 527 / L
6 pcs		1500	3 842 558 334

Material: Material chute: Aluminum; anodized
 Material chute ESD: Aluminum; coated with Alutin

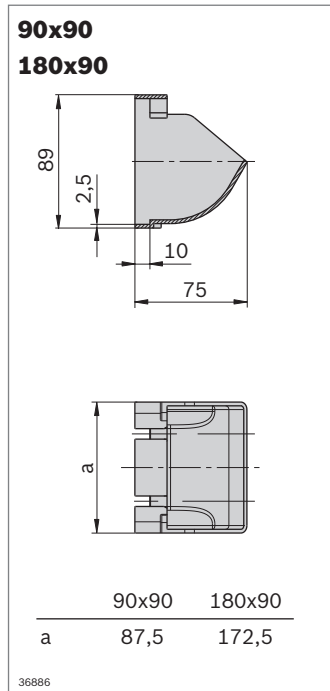
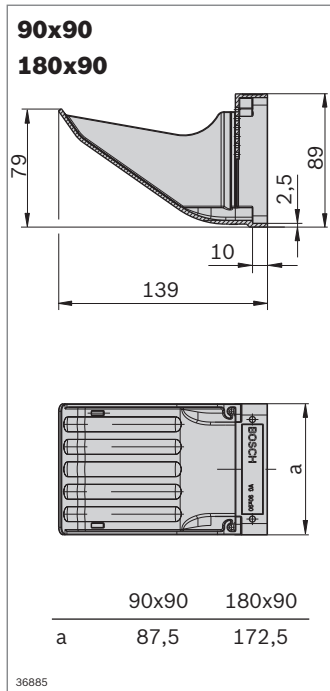
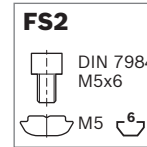
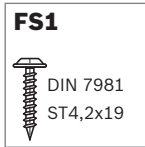


- ▶ Refill end-piece with large opening for easy filling
- ▶ Ergonomically designed grab ledge for easy, safe grabbing
- ▶ Grab container pusher for closing

Grab ledge and refill end-piece	ESD No.	FS
90 x 45	3 842 526 626	8xFS1, FS2
	3 842 558 328	8xFS1, FS2

Material: Grab ledge and refill end-piece
Plastic ABS, light gray RAL 7035
Grab ledge and refill end-piece ESD:
ABS plastic, black, similar to RAL 9005
Fastening material: Steel; galvanized

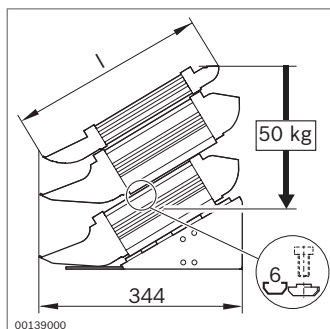
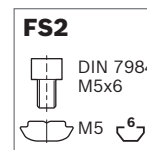
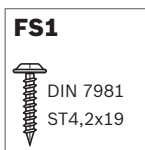
Scope of delivery: Incl. fastening material (FS)



Grab ledge and refill end-piece	ESD No.	FS
90 x 90	3 842 526 627	8xFS1, FS2
	3 842 558 329	8xFS1, FS2
180 x 90	3 842 526 628	8xFS1, FS2
	3 842 558 330	8xFS1, FS2

Material: Grab ledge and refill end-piece
Plastic ABS, light gray RAL 7035
Grab ledge and refill end-piece ESD:
ABS plastic, black, similar to RAL 9005
Fastening material: Steel; galvanized

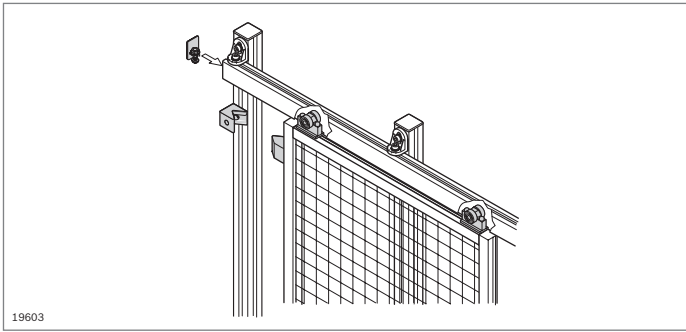
Scope of delivery: Incl. fastening material (FS)



- ▶ Grab container base for an ergonomically optimized arrangement of grab containers

Grab container base	w x h x l (mm)	ESD No.
SG 90	90 x 149 x 315	3 842 526 660
		3 842 558 331
SG 180	180 x 149 x 315	3 842 526 665
		3 842 559 310

Material: Grab container base: Sheet steel, light gray powder coating (RAL 7035)
Grab container base ESD: Sheet steel; dusty gray (RAL 7037)



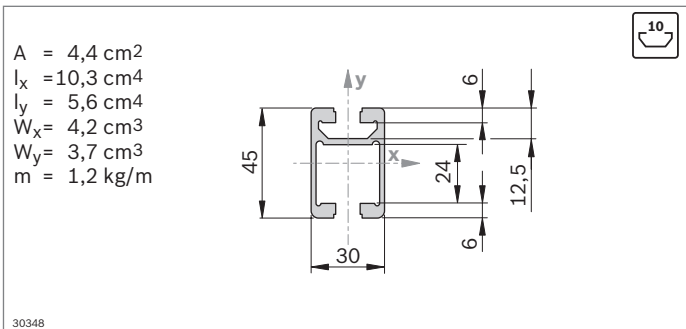
19603

Profile rail, trolley

- ▶ Profile rail and trolley for movable mounting of parts, e.g. for use as a screwdriver hanger at work tables or for EcoSafe sliding doors (p. 10-14)

Accessories:

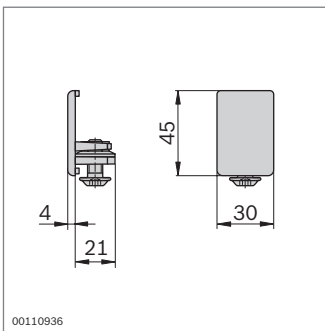
See page 12-4



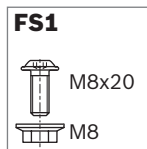
30348

Profile rail 30x45C		L (mm)	No.
1 pc		50 ... 6070	3 842 992 946 / L
20 pcs		6070	3 842 557 950

Material: Aluminum; anodized



00110936

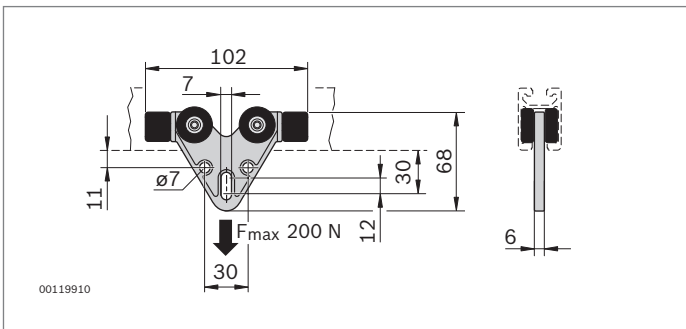


- ▶ Profile rail end piece for use for trolley as a cover cap with stop
- ▶ With screw protection

End piece 30x45C	Color	ESD	No.	FS
	Signal gray		20	3 842 554 710 FS1
	Black		20	3 842 554 711 FS1

Material: End piece: PA
Fastening material: Steel; galvanized

Scope of delivery: Incl. fastening material (FS)

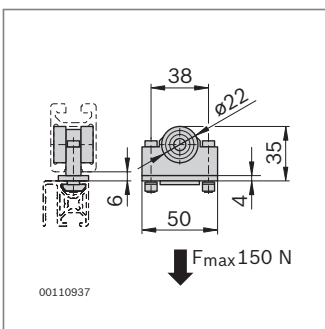


00119910

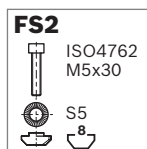
- ▶ Trolley with eye, e.g. for suspending a snap hook

Trolley for profile rail 30x45C	No.
	3 842 521 510

Material: Trolley: PA 6; black
Cam roller: POM; natural
Rubber buffer: NK/SBR; black



00110937

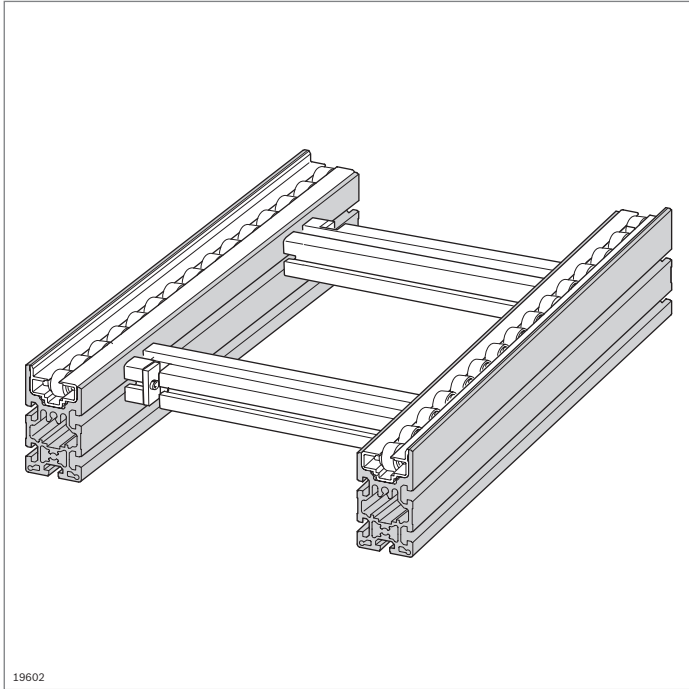


- ▶ Trolley with dust-proof ball bearings for smooth sliding motion
- ▶ For fastening profiles with a 8 mm slot

Trolley	No.	FS
	3 842 524 153	2xFS2

Material: PA; black / steel, galvanized
Fastening material: Steel; galvanized

Scope of delivery: Incl. fastening material (FS)



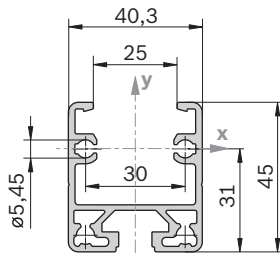
Profiles for installing conveyor media



- Profiles that are normally used to construct the transfer systems TS 2*plus* and TS 4, as well as Lean conveyor sections, are also suitable for the construction of manual conveyor sections. Detailed information is available in chapter 12 “Elements for manual movement” and in the respective special catalogs

U-profile

$A = 4,4 \text{ cm}^2$
 $I_x = 10,4 \text{ cm}^4$
 $I_y = 8,3 \text{ cm}^4$
 $W_x = 4,6 \text{ cm}^3$
 $W_y = 4,1 \text{ cm}^3$
 $m = 1,2 \text{ kg/m}$



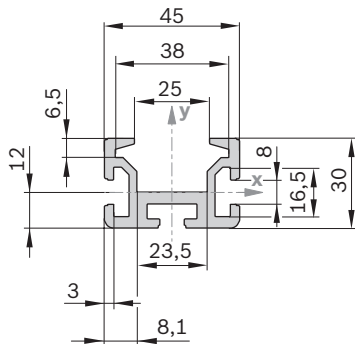
36861

U-profile	Slot	L (mm)	ESD No.
1 pc	10	50 ... 6070	3 842 993 316 / L
20 pcs	10	6070	3 842 535 115
1 pc	10	50 ... 6070	3 842 995 027 / L
20 pcs	10	6070	3 842 541 814

Material: U-profile: Aluminum; anodized
U-profile ESD: Aluminum, untreated

SP 2/R

$A = 5,2 \text{ cm}^2$
 $I_x = 4,3 \text{ cm}^4$
 $I_y = 11,7 \text{ cm}^4$
 $W_x = 2,4 \text{ cm}^3$
 $W_y = 5,2 \text{ cm}^3$
 $m = 1,4 \text{ kg/m}$



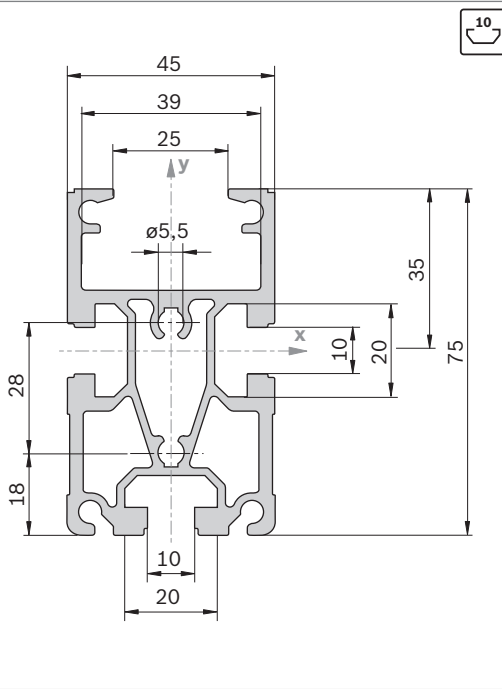
19893

Section profile SP 2/R	L (mm)	No.
	50 ... 6070	3 842 992 676

Material: Aluminum, natural-colored, anodized

SP 2/B

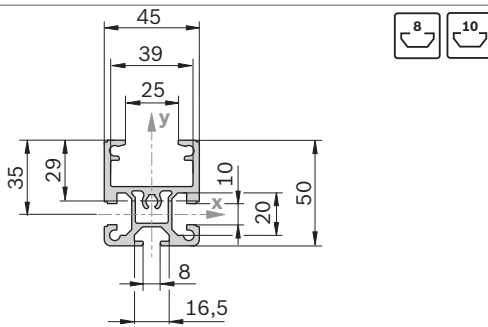
A = 10,4 cm²
 I_x = 49,6 cm⁴
 I_y = 25,8 cm⁴
 W_x = 12,1 cm³
 W_y = 11,5 cm³
 m = 2,8 kg/m



19903

SP 2/B-50

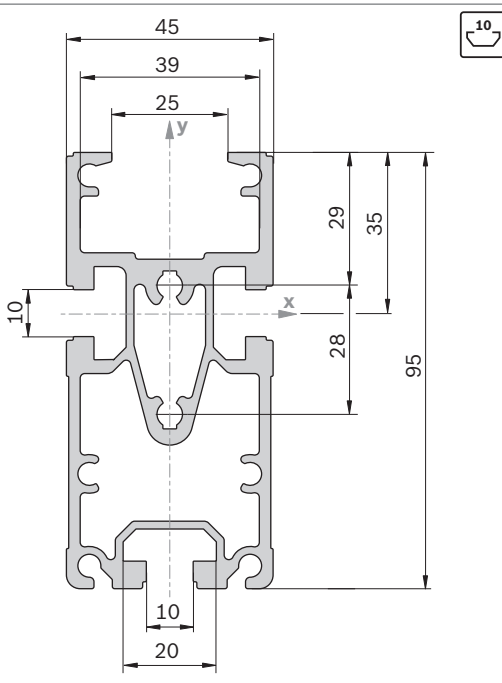
A = 6,9 cm²
 I_x = 16,1 cm⁴
 I_y = 16,9 cm⁴
 W_x = 5,3 cm³
 W_y = 7,5 cm³
 m = 1,9 kg/m



19904

SP 2/B-100

A = 11,9 cm²
 I_x = 95,1 cm⁴
 I_y = 30,4 cm⁴
 W_x = 20,0 cm³
 W_y = 13,5 cm³
 m = 3,2 kg/m



19905

Section profile SP 2/B	Slot	L (mm)	No.
1 pc	10	200 ... 6070	3 842 992 884 / L
16 pcs	10	6070	3 842 532 695

Material: Aluminum, natural-colored, anodized

2

Section profile SP 2/B-50	Slot	L (mm)	No.
1 pc	8 / 10	200...6070	3 842 992 903 / L
20 pcs	8 / 10	6070	3 842 532 697

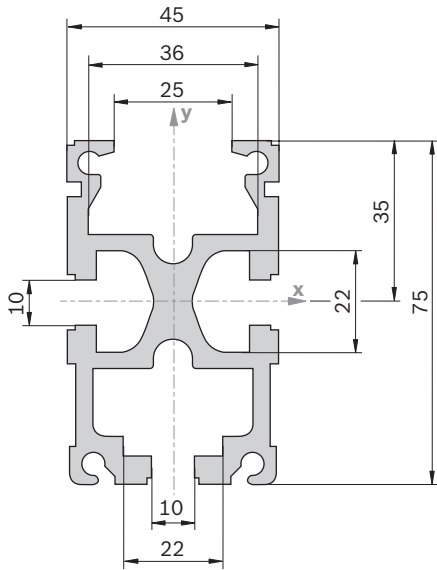
Material: Aluminum, natural-colored, anodized

Section profile SP 2/B-100	Slot	L (mm)	No.
1 pc	10	200...6070	3 842 993 259 / L
16 pcs	10	6070	3 842 532 608

Material: Aluminum, natural-colored, anodized

SP 2/BH

A = 12,4 cm²
 $I_x = 53,7 \text{ cm}^4$
 $I_y = 28,6 \text{ cm}^4$
 $W_x = 14,0 \text{ cm}^3$
 $W_y = 13,8 \text{ cm}^3$
 m = 3,3 kg/m



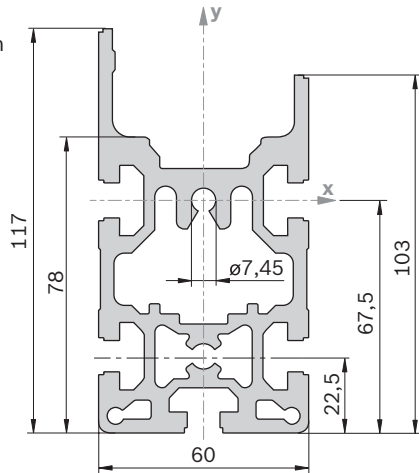
19906

Section profile SP 2/BH	Slot	L (mm)	No.
1 pc		10	200 ... 6070 3 842 990 409 / L
16 pcs		10	6070 3 842 532 696

Material: Aluminum, natural-colored, anodized

SP 4/R

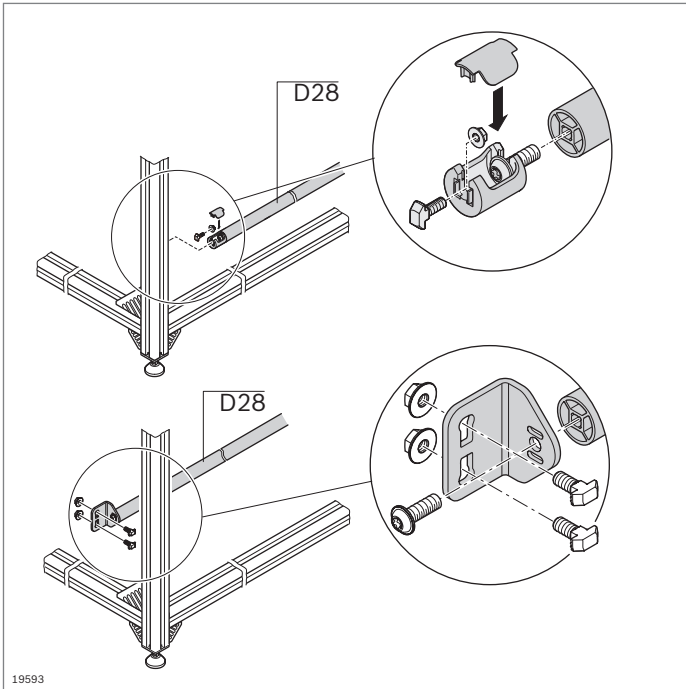
A = 26,1 cm²
 $I_x = 222,0 \text{ cm}^4$
 $I_y = 95,5 \text{ cm}^4$
 $W_x = 84,9 \text{ cm}^3$
 $W_y = 16,4 \text{ cm}^3$
 m = 3,5 kg/m



19907

Section profile SP 4/R	Slot	L (mm)	No.
10 pcs		10	6070 3 842 532 505

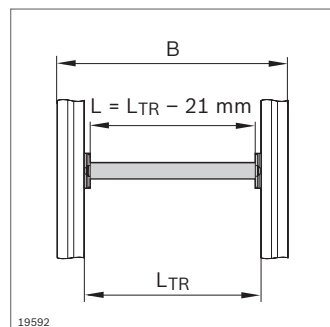
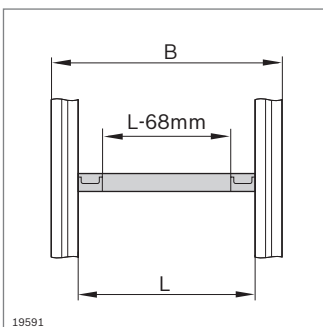
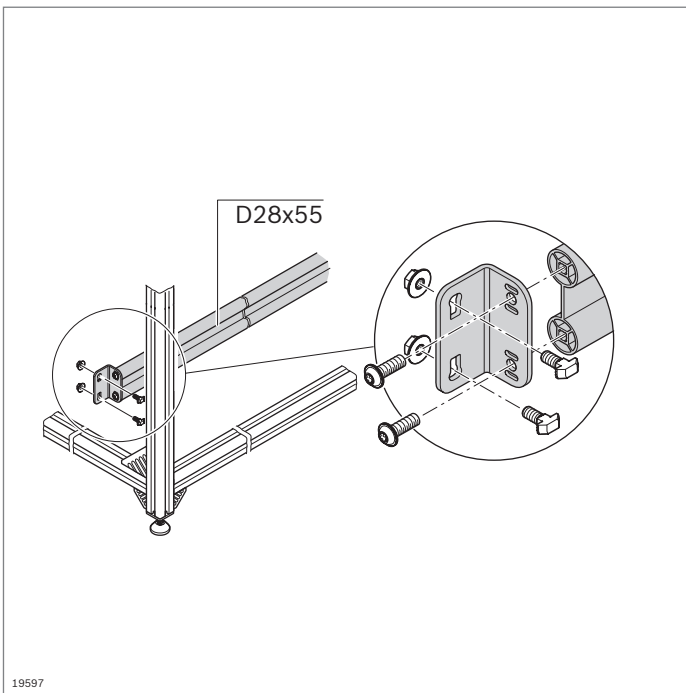
Material: Aluminum, natural-colored, anodized



Round tube D28, strut profile D28x55 bracket, T-connector Bracket, T-connector

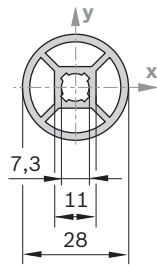


- ▶ For constructing cross ties in flow racks or workstations
- ▶ Suitable for heavy loads
- ▶ Use of brackets makes for easy assembly
- ▶ Elongated hole in the mounting bracket for longitudinal compensation
- ▶ Central holes can be used for self-tapping screws S8x25 (p. 3-41)
- ▶ For matching components to construct conveyor tracks, see chapter 12 “Elements for manual movement”



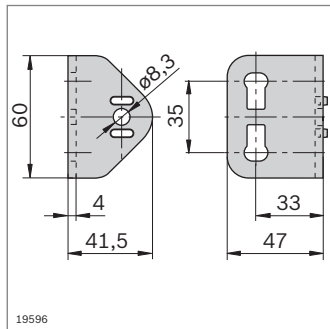
D28

A = 2,4 cm²
 $I_x = 1,5 \text{ cm}^4$
 $I_y = 1,5 \text{ cm}^4$
 $W_x = 1,1 \text{ cm}^3$
 $W_y = 1,1 \text{ cm}^3$
 m = 0,7 kg/m

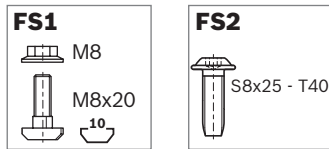


19505

Cover cap D28	Color	ESD	No.
	Gray		20 3 842 537 718
	Black		20 3 842 535 835



19596



Round tube D28	L (mm)	No.
1 pc	50 ... 6070	3 842 993 317 / L
20 pcs	6070	3 842 535 118

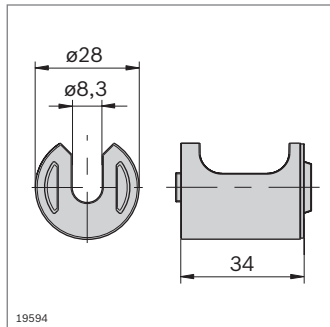
Material: Aluminum; anodized
 Optional accessories: Labeling clip (p. 2-86)

Holding bracket for round tube D28

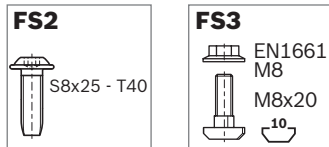
- ▶ For mounting a round tube D28 to a strut profile with a 10 mm slot
- ▶ Extremely simple mounting thanks to easy adjustment of the installation height

Bracket 60x47x4	No.	FS
	20 3 842 536 002	2xFS1, FS2

Material: Steel; galvanized
 Scope of delivery: Incl. fastening material (FS)



19594

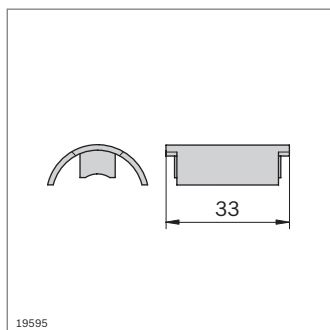


T-connector for round tube D28

- ▶ For mounting a round tube D28 to a strut profile with a 10 mm slot
- ▶ Without interfering contours

T-connector D28	No.	FS
	20 3 842 532 879	FS2, FS3

Material: T-connector: Diecast aluminum
 Cover cap: ABS; black
 Scope of delivery: Incl. cover cap, fastening material (FS)



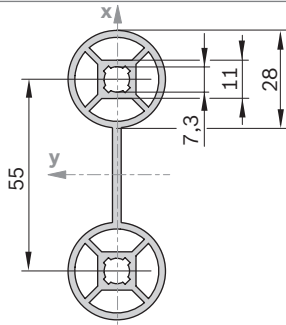
19595

Cover cap D28	No.
	20 3 842 532 878

Material: ABS; black

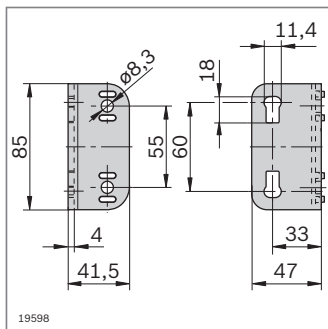
D28x55

$A = 5,9 \text{ cm}^2$
 $I_x = 3,2 \text{ cm}^4$
 $I_y = 88,3 \text{ cm}^4$
 $W_x = 2,3 \text{ cm}^3$
 $W_y = 23,1 \text{ cm}^3$
 $m = 1,6 \text{ kg/m}$

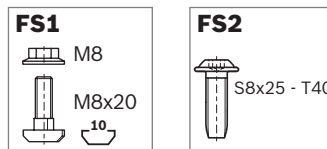


19468

Cover cap D28	Color	ESD	No.
(2x)	Gray	20	3 842 537 718
(2x)	Black	20	3 842 535 835



19598



Strut profile D28x55	L (mm)	No.
1 pc	100...6070	3 842 993 489 / L
20 pcs	6070	3 842 537 477

Material: Aluminum; anodized

Optional accessories: Labeling clip (p. 2-86)

2

Bracket 85x47x4

- For mounting a strut profile D28x55 to a strut profile with a 10 mm slot
- Extremely simple mounting thanks to easy adjustment of the installation height

Bracket 85x47x4	No.	FS
20	3 842 536 730	2xFS1, 2xFS2

Material: Steel; galvanized

Scope of delivery: Incl. fastening material (FS)